

**SAW Filter 954.50MHz**  
**Part No: MP06447**

**Model: TA1458A**  
**Rev No: 1**

**A. MAXIMUM RATING:**

Electrostatic Sensitive Device

1. Input Power Level: 10dBm
2. DC Voltage: 6V
3. Operating Temperature: -40°C to +85°C
4. Storage Temperature: -40°C to +85°C

**B. ELECTRICAL CHARACTERISTICS:**

Item	Unit	Min.	Typ.	Max.
Center frequency Fc	MHz	-	954.5	-
3dB BW	MHz	-	2.15	-
Minimum insertion loss IL (min)				
Exclude loss in matching elements *1)	dB	-	2.6	3.6
Incl. loss of matching elements(Q = 90) *2)	dB	-	2.9	3.9
Passband (relative to IL min) *1) 954.00 ~ 955.00MHz	dB	-	0.4	3.0
Attenuation (relative to IL min) *1)				
15.000 ~ 870.00MHz	dB	39	47	-
870.00 ~ 935.00MHz	dB	36	44	-
935.00 ~ 943.00MHz	dB	34	41	-
943.00 ~ 952.00MHz	dB	17	24	-
957.00 ~ 963.00MHz	dB	10	15	-
963.00 ~ 981.00MHz	dB	22	28	-
981.00 ~ 1000.0MHz	dB	36	42	-
1000.0 ~ 2000.0MHz	dB	38	44	-
2000.0 ~ 2500.0MHz	dB	55	69	-
Impedance at Fc, Input *1) $Z_{IN} = R_{IN} // C_{IN} Z_S$	$\Omega$	568 $\Omega$ // 1.12pF		
Impedance at Fc, Output *1) $Z_{OUT} = R_{OUT} // C_{OUT} Z_L$	$\Omega$	568 $\Omega$ // 1.12pF		

\*1) The matching circuit is ideal by simulation.

\*2) The matching circuit is real by actual passive components.

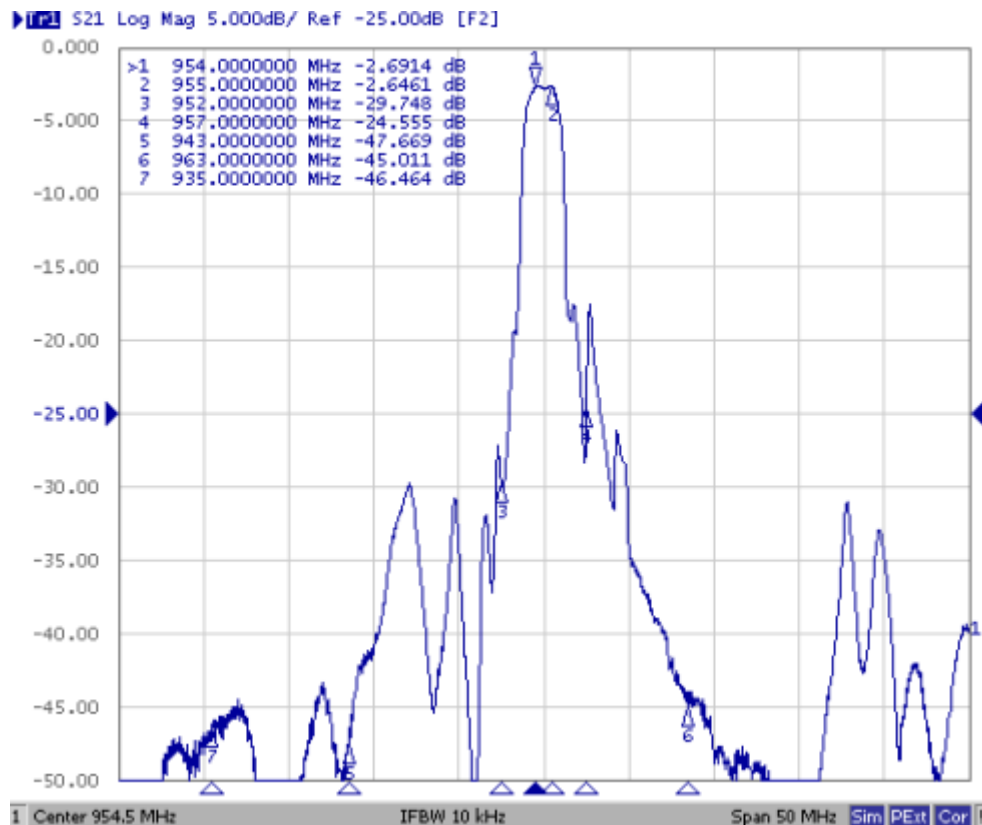
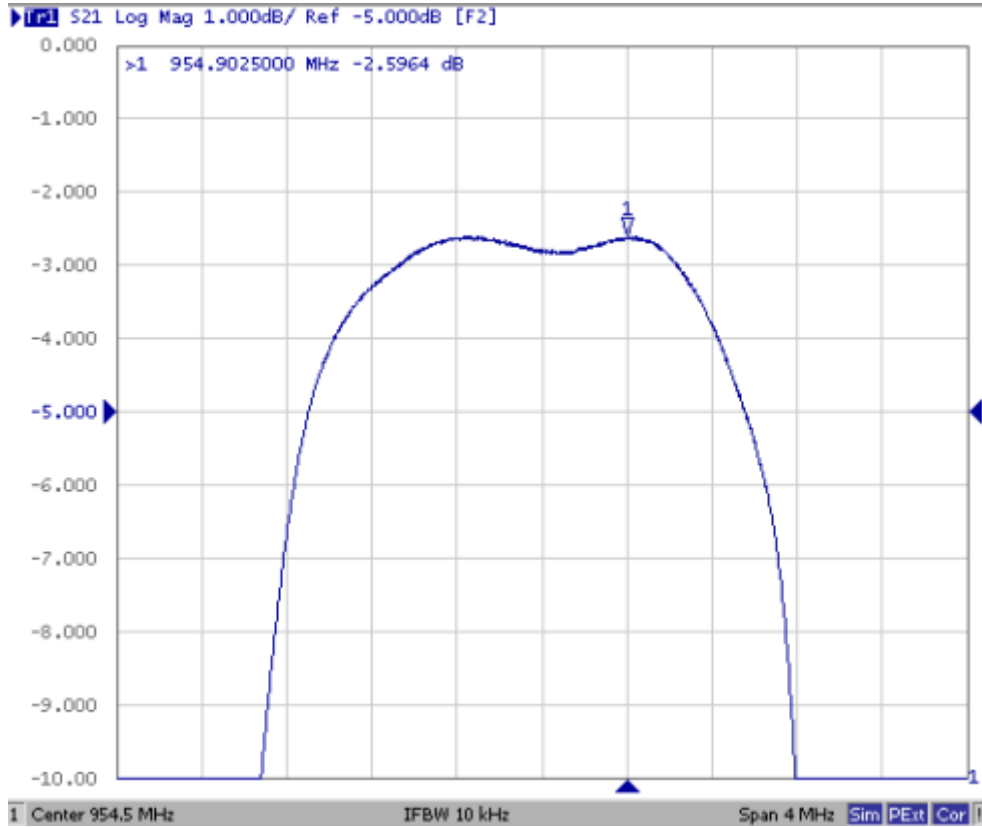
0805 Coilcraft CS series chip conductor is used for inductor.

0402 muRata GRM series is used for capacitor.

**SAW Filter 954.50MHz**  
**Part No: MP06447**

**Model: TA1458A**  
**Rev No: 1**

**C. FREQUENCY CHARACTERISTICS:**



**SAW Filter 954.50MHz**  
**Part No: MP06447**

**Model: TA1458A**  
**Rev No: 1**



**SAW Filter 954.50MHz**

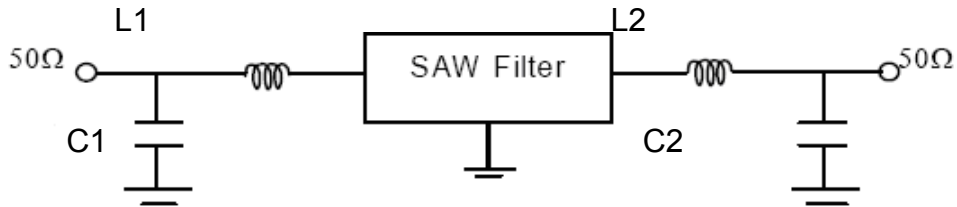
**Model: TA1458A**

**Part No: MP06447**

**Rev No: 1**

**D. MEASUREMENT CIRCUIT:**

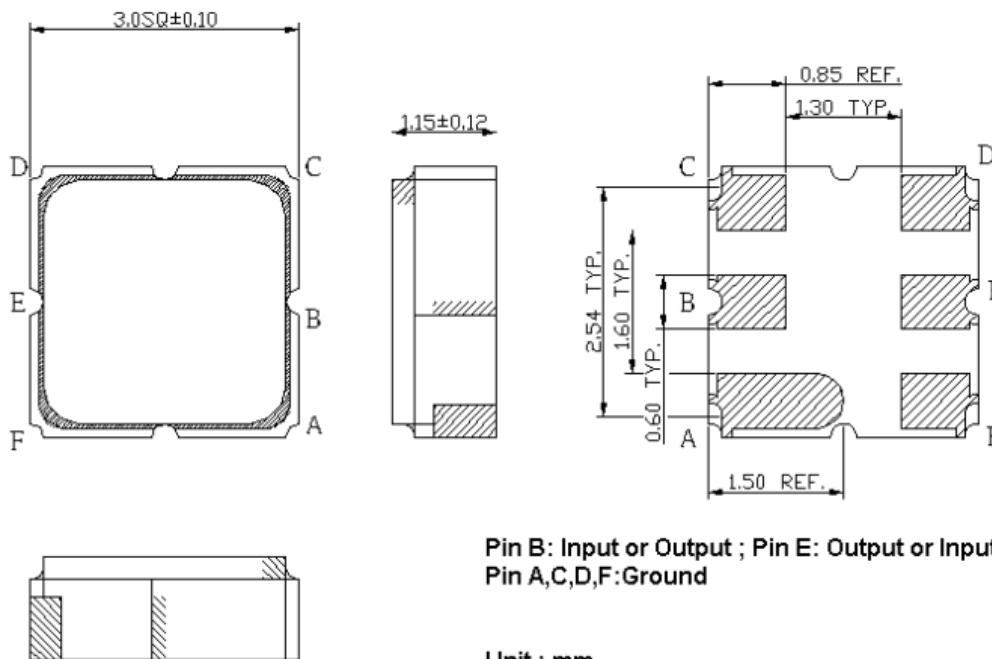
The matching circuit is ideal by simulation



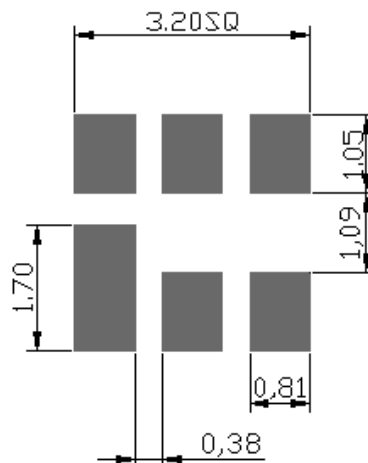
L1: 27nH, L2: 27nH (Ideal value)

C1: 2pF, C2: 2pF (Ideal value)

**E. OUTLINE DRAWING:**



**F. PCB FOOTPRINT:**

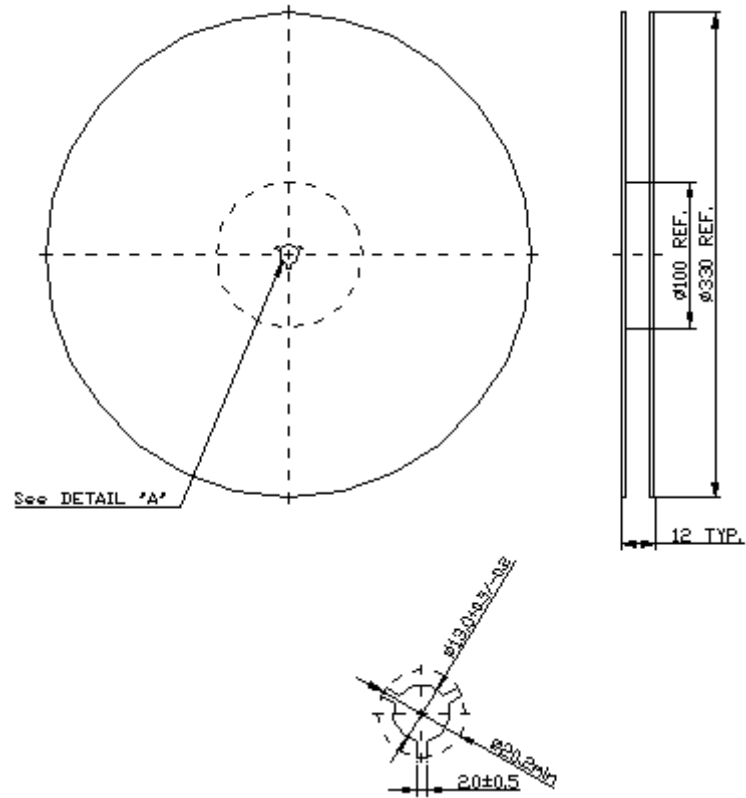


**SAW Filter 954.50MHz**  
**Part No: MP06447**

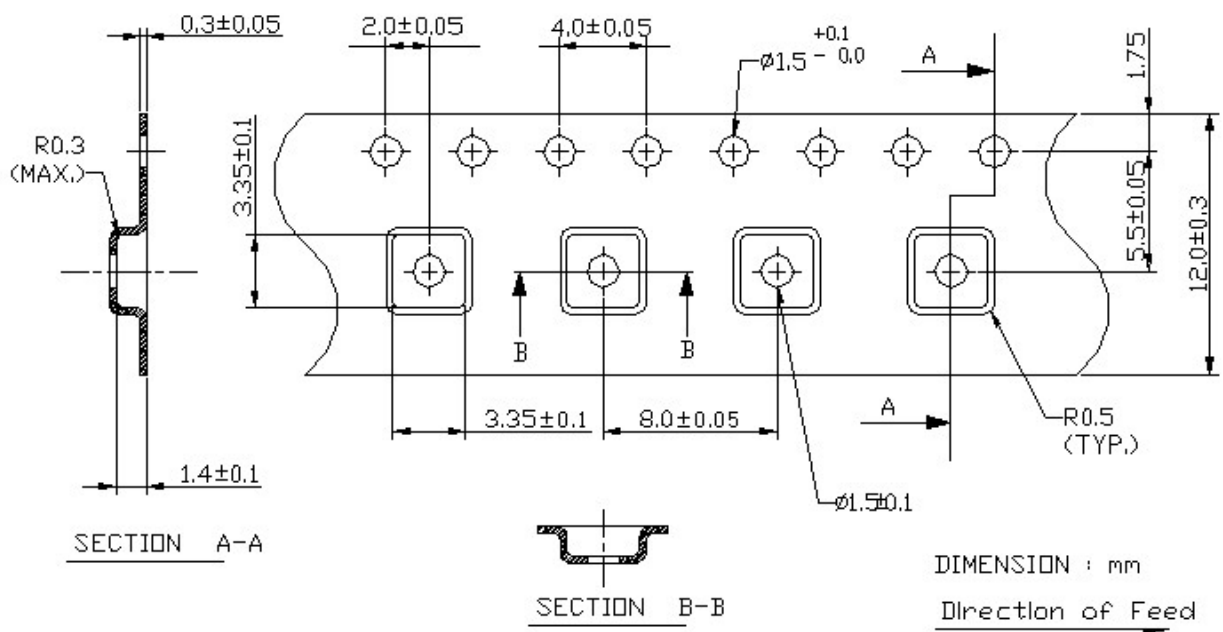
**Model: TA1458A**  
**Rev No: 1**

**G. PACKING:**

1. Reel Dimension



2. Tape Dimension



**SAW Filter 954.50MHz**  
**Part No: MP06447**

**Model: TA1458A**  
**Rev No: 1**

**H. RECOMMENDED REFLOW PROFILE:**

