

SAW Filter 875.0MHz
Part No: MP06293

Model: TA1350A
Rev No: 1

A. MAXIMUM RATING:

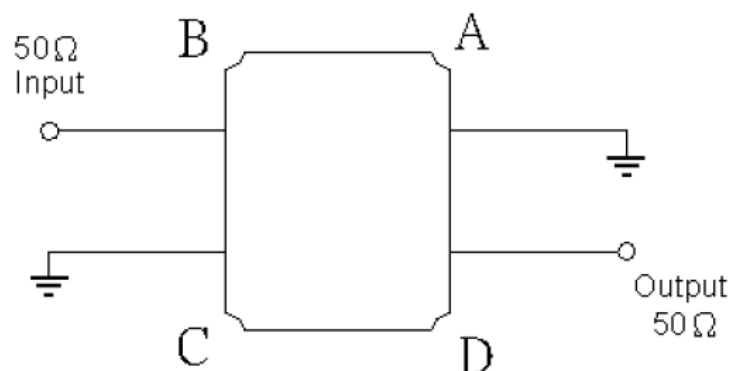
Electrostatic Sensitive Device (ESD)

1. Input Power Level: 15dBm
2. DC voltage: 3V
3. Operating Temperature: -40°C to +85°C
4. Storage Temperature: -40°C to +85°C

B. ELECTRICAL CHARACTERISTICS:

Item	Unit	Min.	Typ.	Max.
Center frequency Fc	MHz	-	875	-
Insertion Loss (870 ~ 880MHz) IL	dB	-	2.2	3.2
Amplitude Ripple (870 ~ 880MHz)	dB	-	0.5	1.2
Group Delay Ripple (870 ~ 880MHz)	ns	-	13	50
Return Loss (870 ~ 880MHz)	dB	9	16	-
Attenuation (Reference level from 0dB)				
10 ~ 810MHz	dB	40	61	-
810 ~ 848MHz	dB	35	49	-
924 ~ 960MHz	dB	30	34	-
960 ~ 1110MHz	dB	40	56	-
1110 ~ 3000MHz	dB	30	48	-
Temperature coefficient of frequency TCf	ppm/°C	-	-34	-

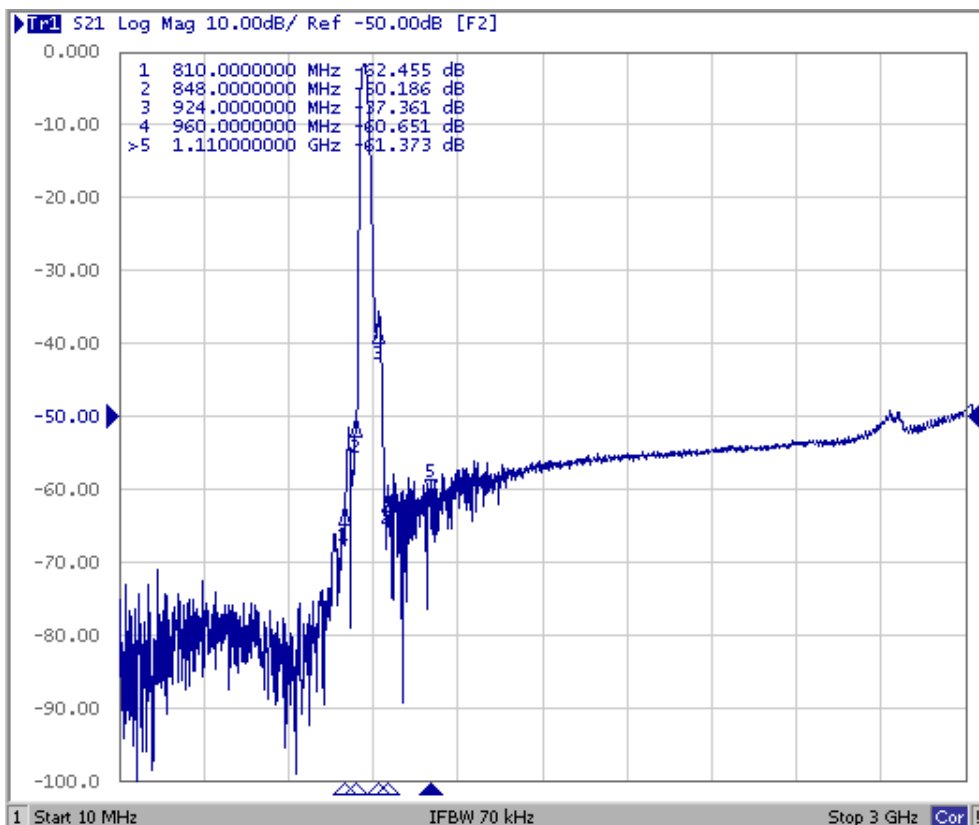
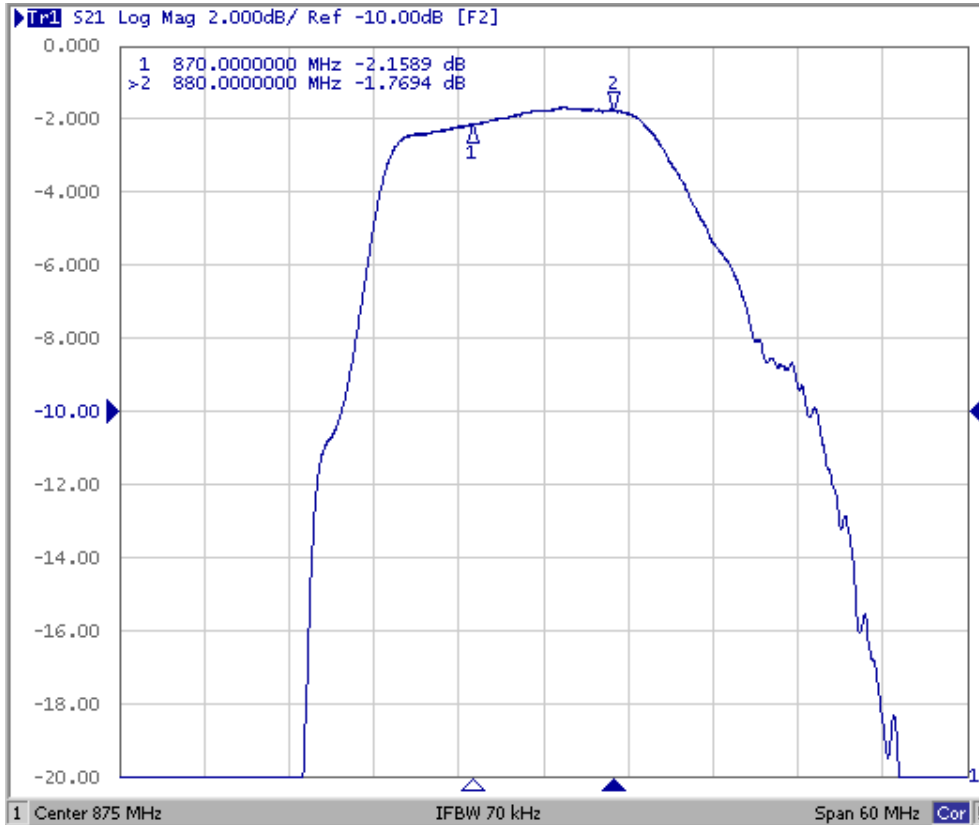
C. MEASUREMENT CIRCUIT:



SAW Filter 875.0MHz
Part No: MP06293

Model: TA1350A
Rev No: 1

D. FREQUENCY CHARACTERISTICS:

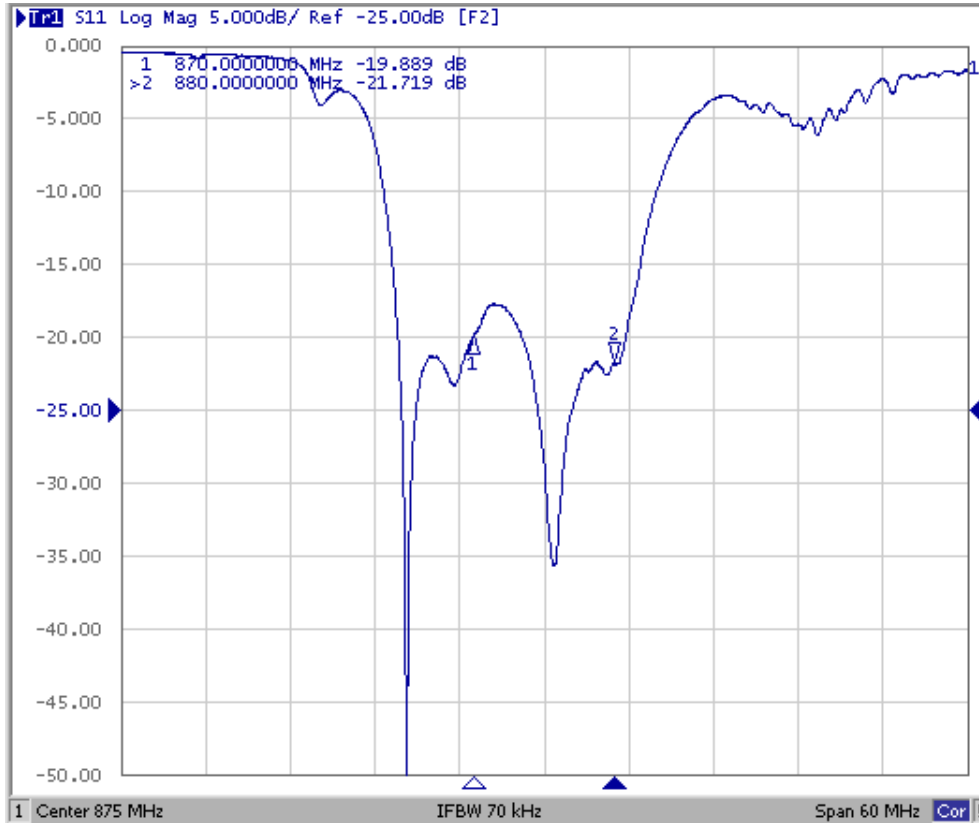


SAW Filter 875.0MHz
Part No: MP06293

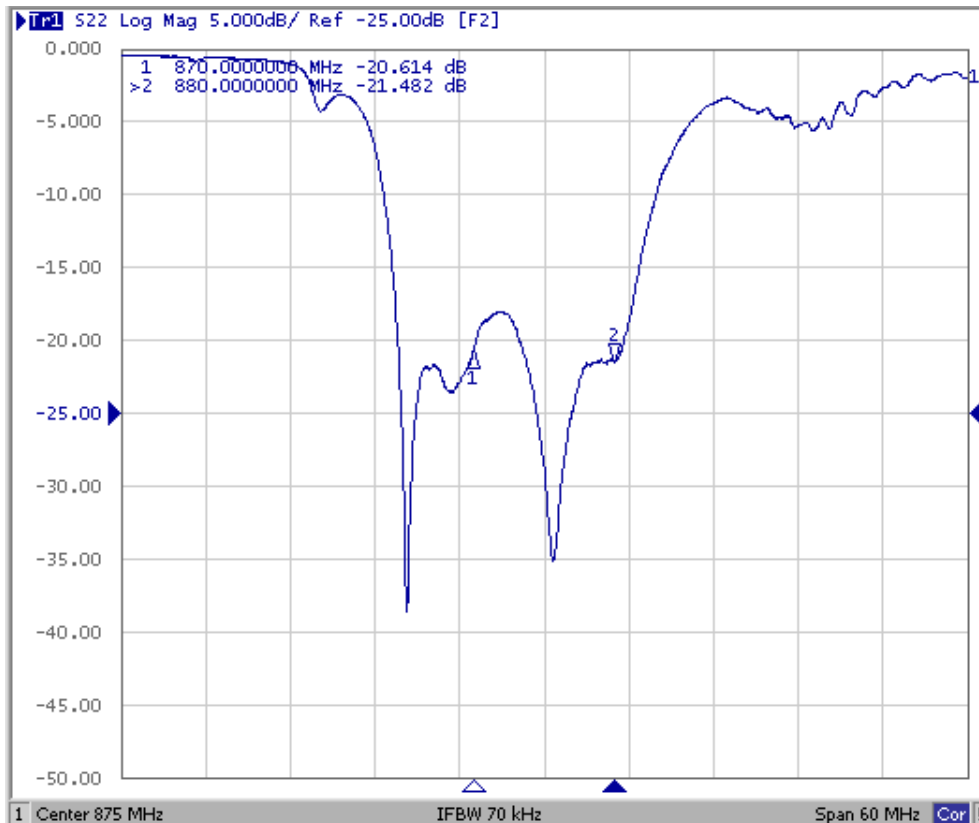
Model: TA1350A
Rev No: 1

Reflection Functions

S11



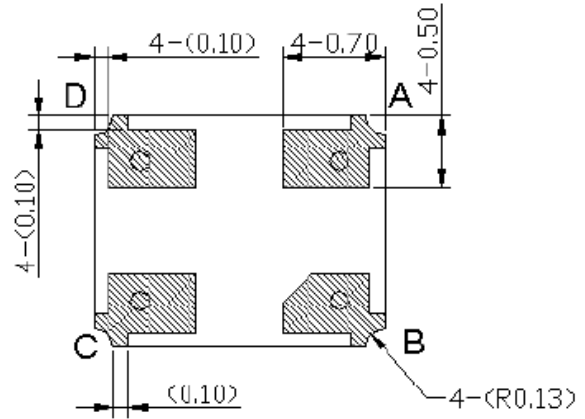
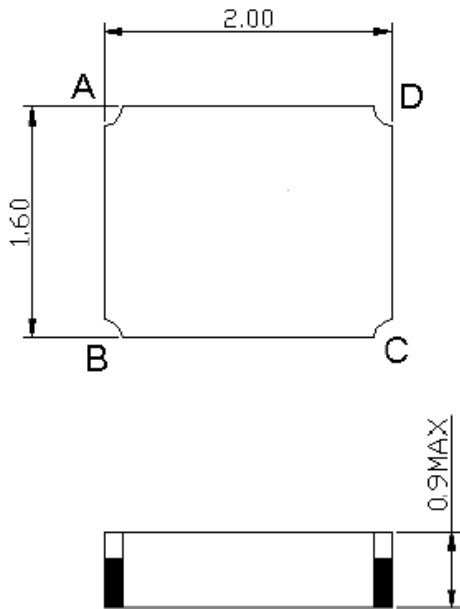
S22



SAW Filter 875.0MHz
Part No: MP06293

Model: TA1350A
Rev No: 1

E. OUTLINE DRAWING:



#B : Input
#D : Output
#A,C : Ground
Unit : mm

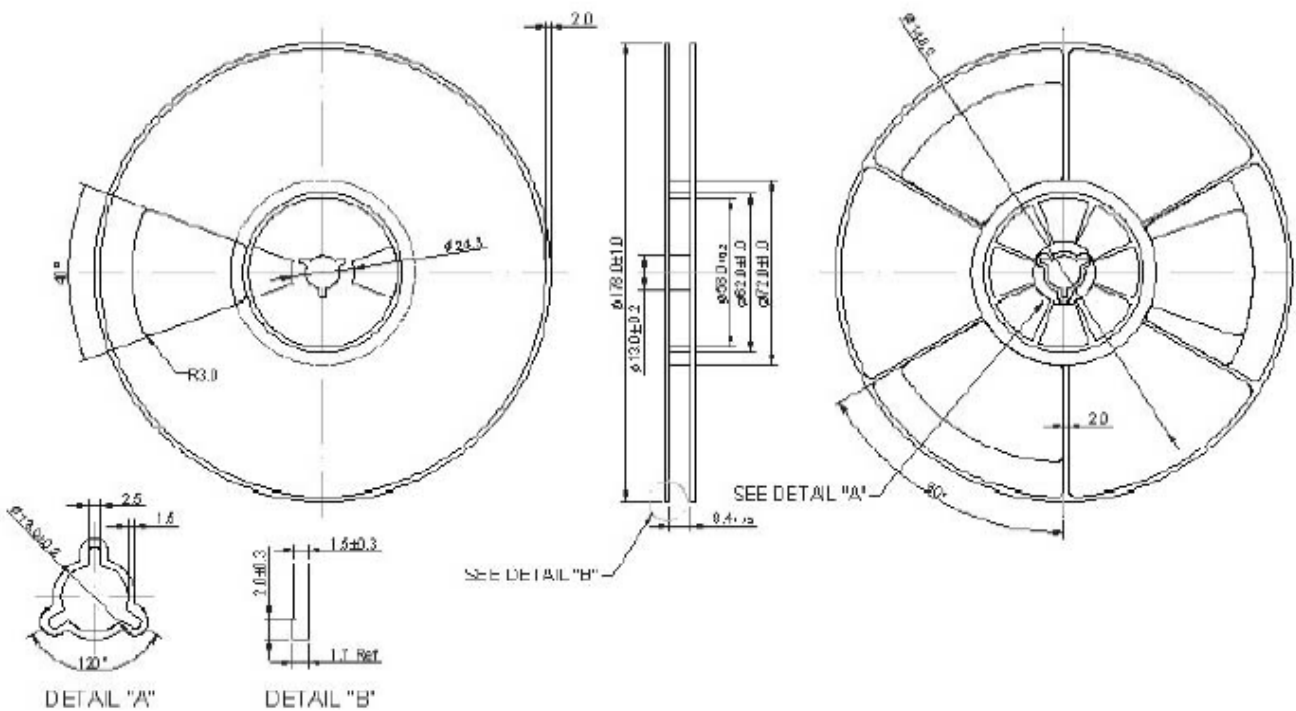
SAW Filter 875.0MHz
Part No: MP06293

Model: TA1350A
Rev No: 1

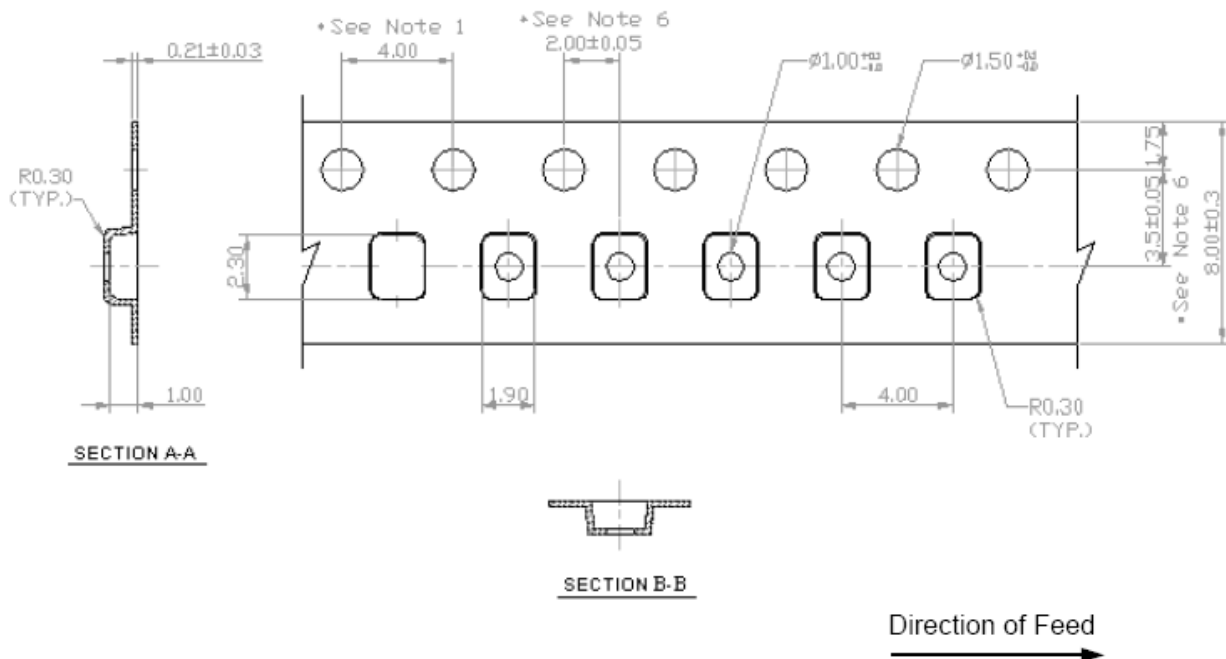
F. PACKING:

1. Reel Dimension

(Reel Count : 7"=2000 typ. ; 13"=10000 typ.)



2. Tape Dimension



SAW Filter 875.0MHz
Part No: MP06293

Model: TA1350A
Rev No: 1

G. RECOMMENDED REFLOW PROFILE:

