

SAW Duplexer 1732.50 / 2132.50MHz
Part No: MP05791

Model: TF0070A
Rev. No: 1

A. MAXIMUM RATING:

1. Maximum Input Power: 28dBm
2. DC voltage: 0 V
3. Operating Temperature: -30°C to +80°C
4. Storage Temperature: -40°C to +85°C

B. ELECTRICAL CHARACTERISTICS:

T_x(1732.5MHz) → Ant[⊕]		Specifications[⊕]			
Parameters Description[⊕]	Condition [MHz][⊕]	Unit[⊕]	Minimum[⊕]	Typical[⊕]	Maximum[⊕]
Insertion Loss[⊕]	1710.0 ~ 1755.0 [⊕]	dB [⊕]	- [⊕]	1.9 [⊕]	3.0 [⊕]
Amplitude Ripple[⊕]	1710.0 ~ 1755.0 [⊕]	dB _{p-p} [⊕]	- [⊕]	0.6 [⊕]	1.5 [⊕]
VSWR[⊕]	1710.0 ~ 1755.0 [⊕]	- [⊕]	- [⊕]	1.7 [⊕]	2.2 [⊕]
Absolute Attenuation[⊕]	2110.0 ~ 2155.0 [⊕]	dB [⊕]	30 [⊕]	37 [⊕]	- [⊕]

Ant → Rx(2132.5MHz)[⊕]		Specifications[⊕]			
Parameters Description[⊕]	Condition [MHz][⊕]	Unit[⊕]	Minimum[⊕]	Typical[⊕]	Maximum[⊕]
Insertion Loss[⊕]	2110.0 ~ 2155.0 [⊕]	dB [⊕]	- [⊕]	2.5 [⊕]	3.2 [⊕]
Amplitude Ripple[⊕]	2110.0 ~ 2155.0 [⊕]	dB _{p-p} [⊕]	- [⊕]	0.6 [⊕]	1.5 [⊕]
VSWR[⊕]	2110.0 ~ 2155.0 [⊕]	- [⊕]	- [⊕]	1.7 [⊕]	2.2 [⊕]
Absolute Attenuation[⊕]	1710.0 ~ 1755.0 [⊕]	dB [⊕]	35 [⊕]	43 [⊕]	- [⊕]

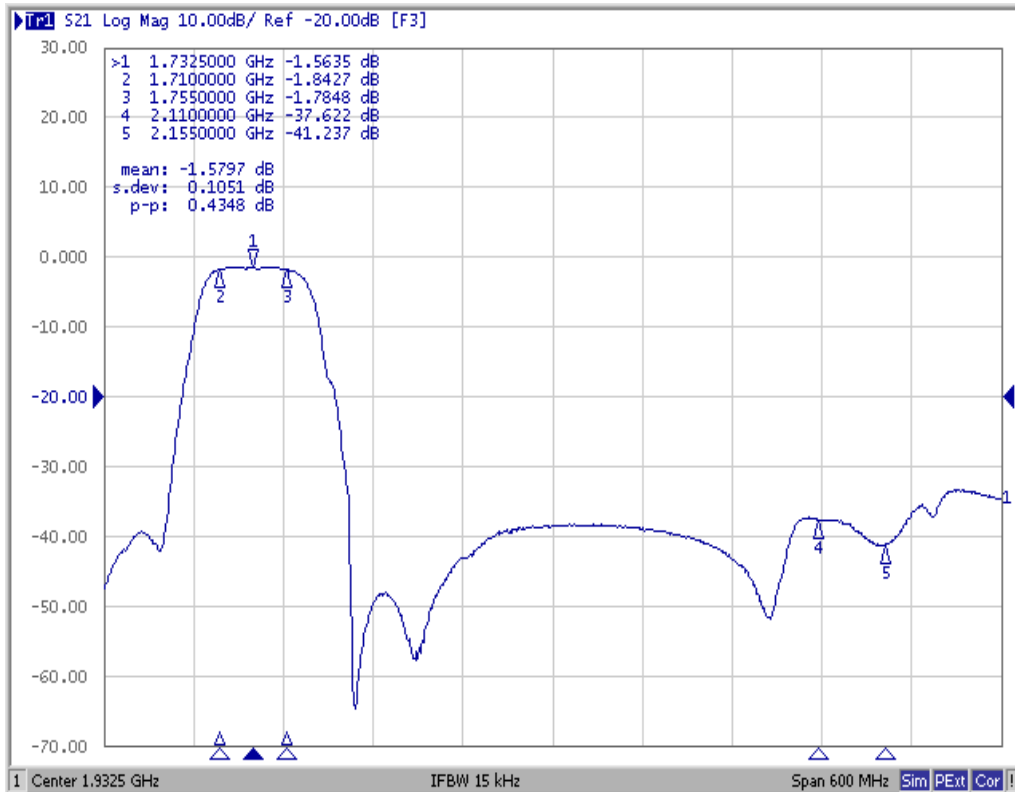
Rx → Tx[⊕]		Specifications[⊕]			
Parameters Description[⊕]	Condition [MHz][⊕]	Unit[⊕]	Minimum[⊕]	Typical[⊕]	Maximum[⊕]
Isolation[⊕]	1710.0 ~ 1755.0 [⊕]	dB [⊕]	35 [⊕]	45 [⊕]	- [⊕]
	2110.0 ~ 2155.0 [⊕]	dB [⊕]	30 [⊕]	38 [⊕]	- [⊕]

Note: With Matching Network.

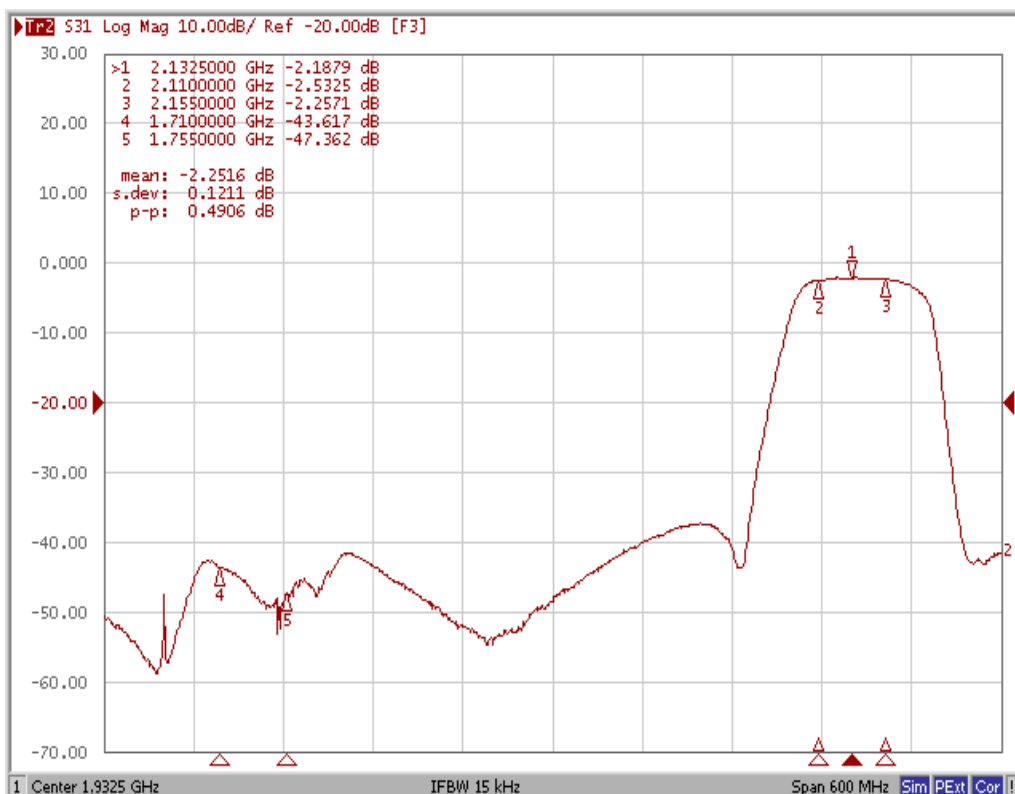
SAW Duplexer 1732.50 / 2132.50MHz
Part No: MP05791

Model: TF0070A
Rev. No: 1

C. FREQUENCY CHARACTERISTICS:



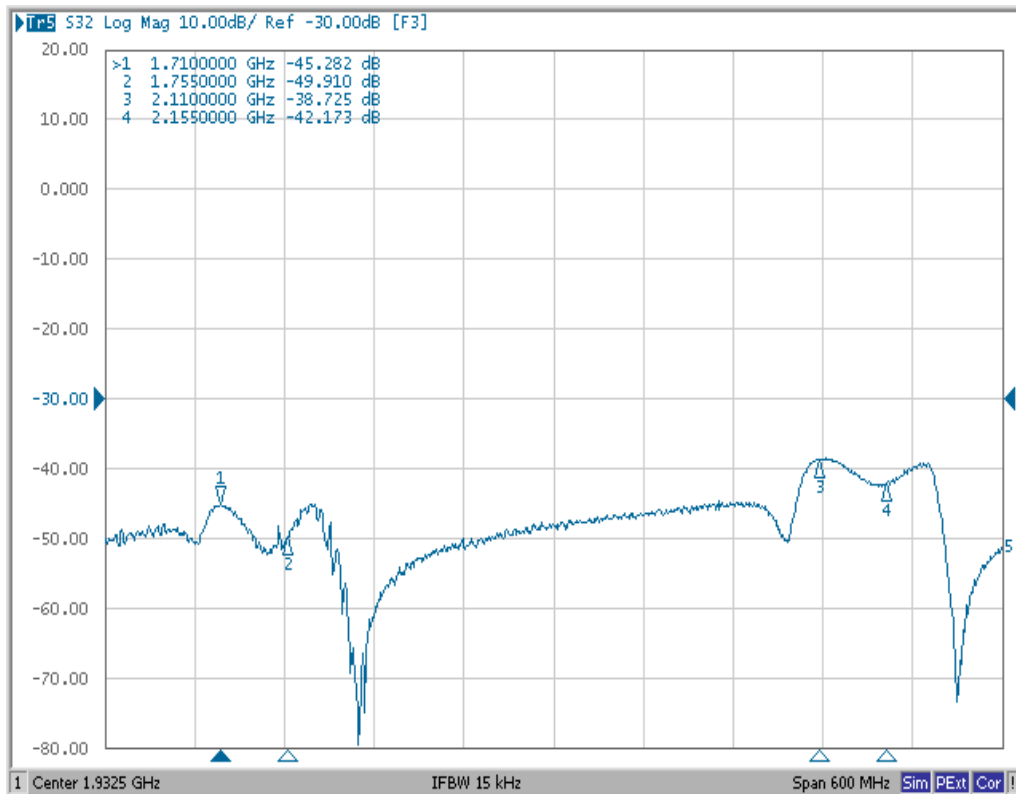
Ant to Rx



SAW Duplexer 1732.50 / 2132.50MHz
Part No: MP05791

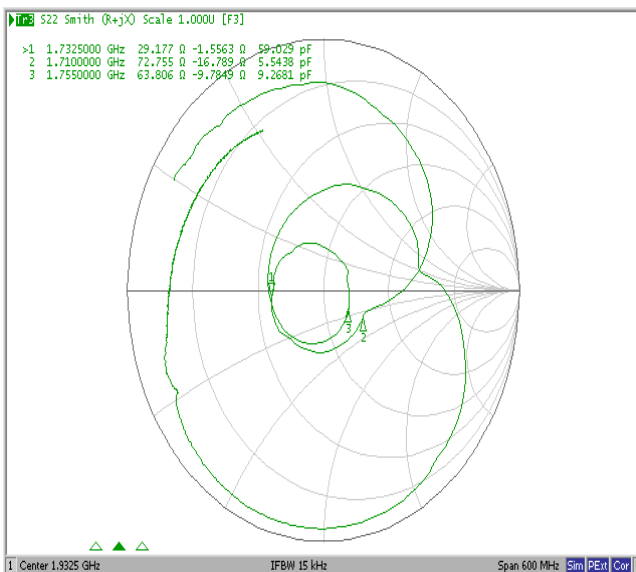
Model: TF0070A
Rev. No: 1

Isolation

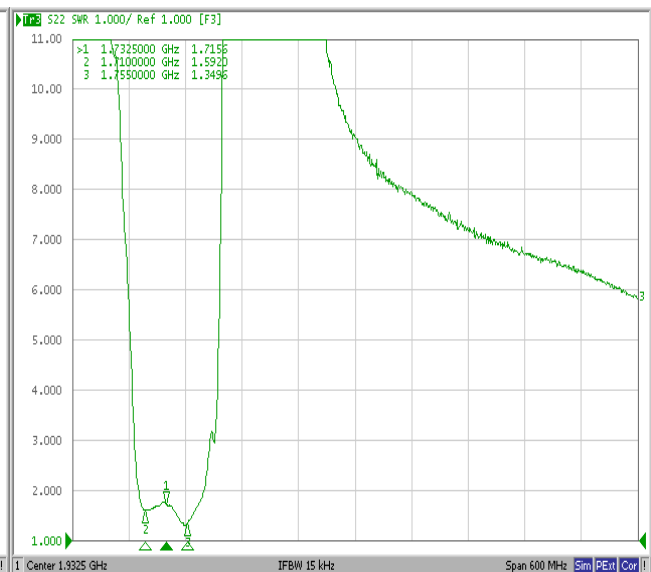


Tx Part

Smith Chart



VSWR



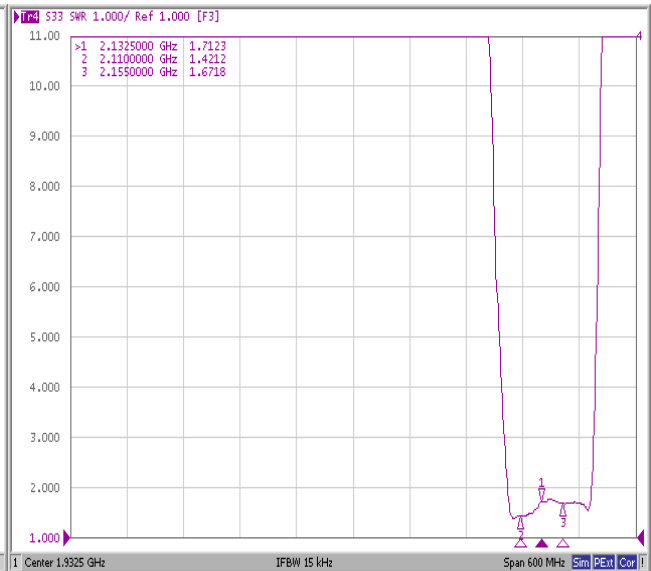
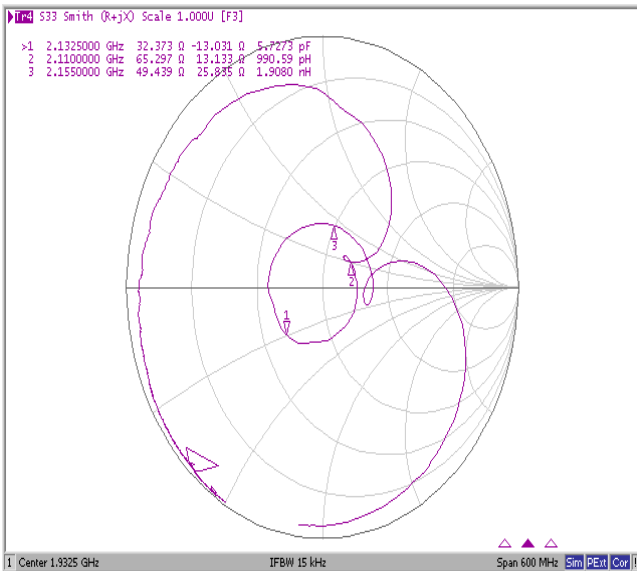
SAW Duplexer 1732.50 / 2132.50MHz
Part No: MP05791

Model: TF0070A
Rev. No: 1

Rx Part

Smith Chart

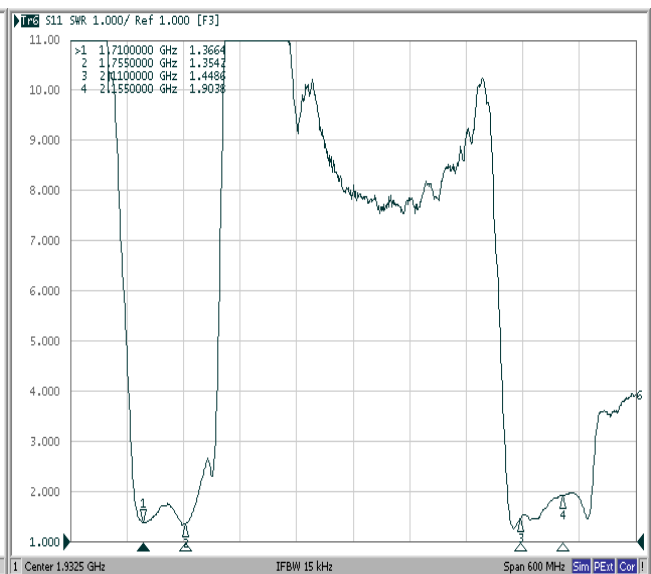
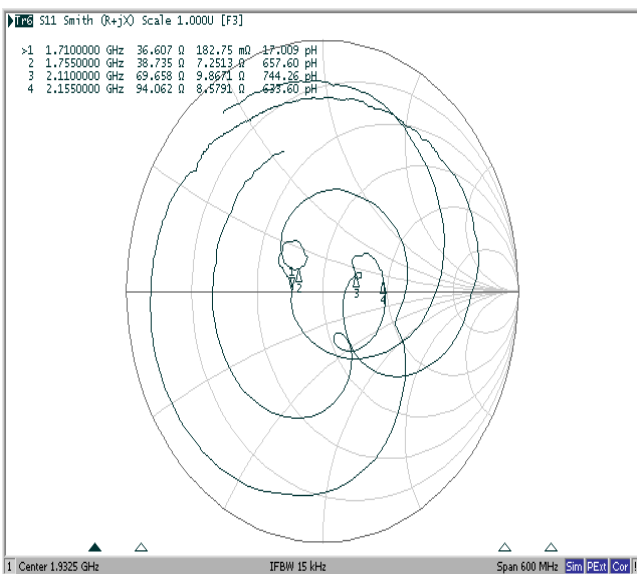
VSWR



Antenna

Smith Chart

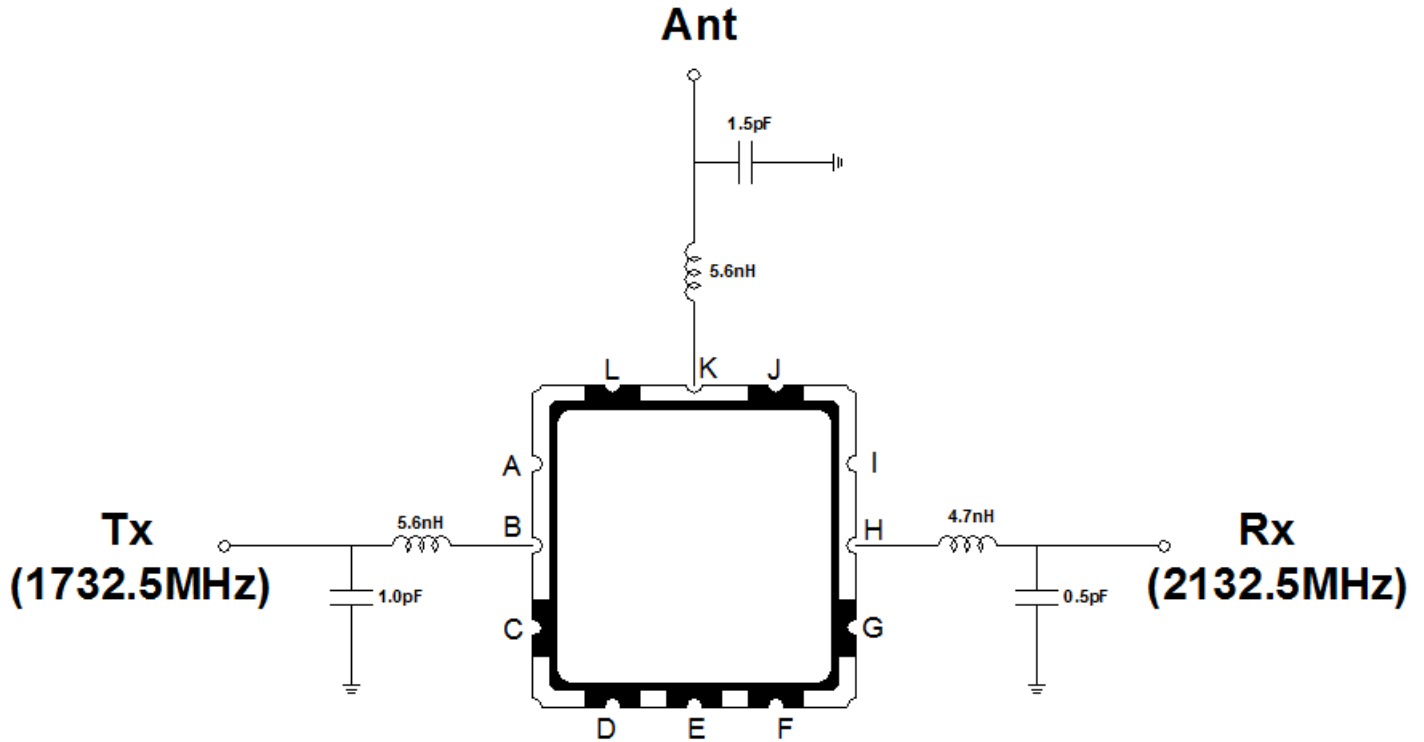
VSWR



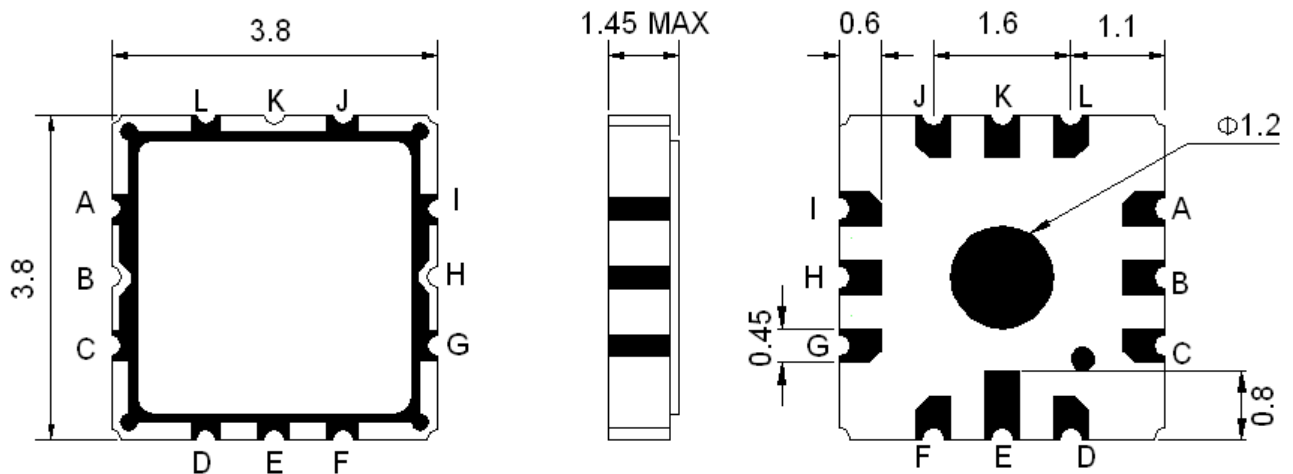
SAW Duplexer 1732.50 / 2132.50MHz
Part No: MP05791

Model: TF0070A
Rev. No: 1

D. MEASUREMENT CIRCUIT:



E. OUTLINE DRAWING:



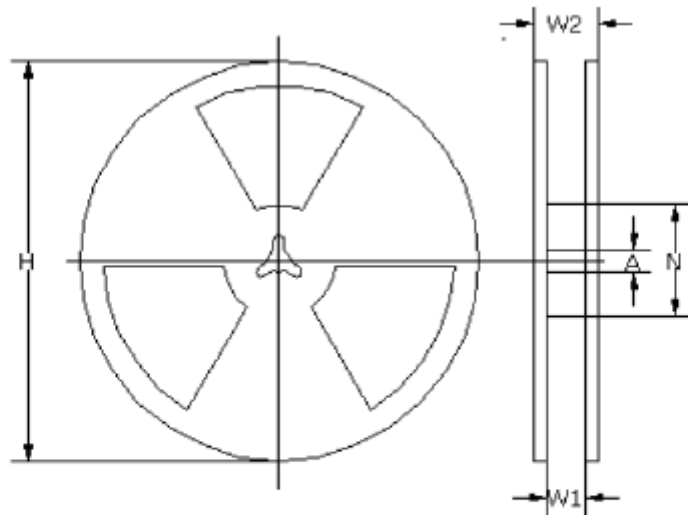
A, C, D, E, F, G, I, J, L: Ground
 K: Ant
 B: Tx (1732.5MHz)
 H: Rx (2132.5MHz)

SAW Duplexer 1732.50 / 2132.50MHz
Part No: MP05791

Model: TF0070A
Rev. No: 1

F. PACKING:

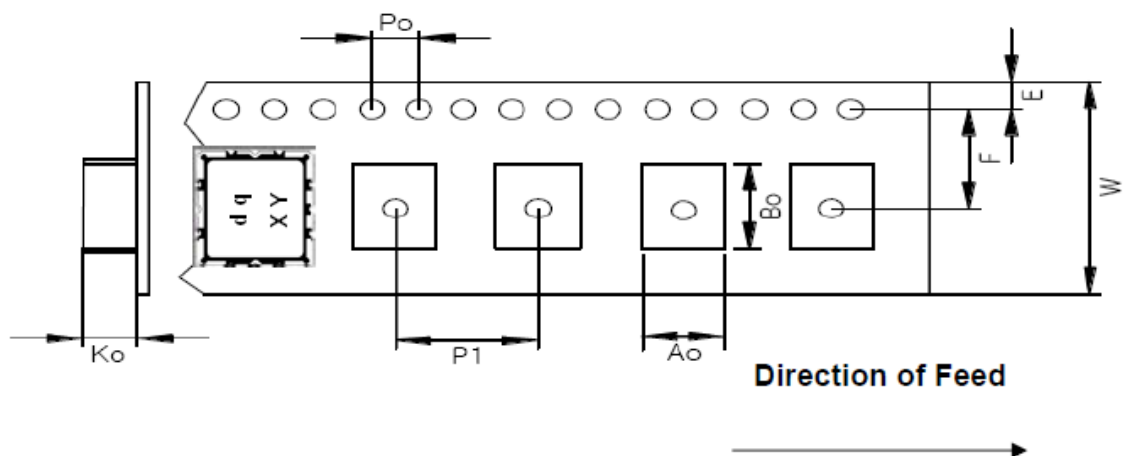
1. Reel Dimension



(Unit : mm)

A	N	H	W1	W2
$\Phi 13 \pm 0.5$	$\Phi 62 \pm 1.0$	$\Phi 330.0 \pm 1.0$	12.0 ± 1.0	16.0 ± 1.0

2. Tape Dimension



A	B	K0	W	E	F	P0	P1
3.4 ± 0.1	3.4 ± 0.1	1.4 ± 0.1	12.0 ± 0.3	1.75 ± 0.1	5.5 ± 0.1	4.0 ± 0.1	8.0 ± 0.1

SAW Duplexer 1732.50 / 2132.50MHz
Part No: MP05791

Model: TF0070A
Rev. No: 1

G. RECOMMENDED REFLOW PROFILE:

