

SAW Duplexer 836.50 / 881.50MHz
Part No: MP05788

Model: TF0071A
Rev. No: 1

A. MAXIMUM RATING:

1. Maximum Input Power: 1.2W
2. DC voltage: 0V
3. Operating Temperature: -30°C to +85°C
4. Storage Temperature: -40°C to +85°C

B. ELECTRICAL CHARACTERISTICS:

Tx_836.5MHz		SPECIFICATIONS			
ITEM	CONDITION [MHz]	Unit	Min.	Typ.	Max.
Insertion Loss	824 ~ 849	dB	-	1.5	2.2
Ripple	824 ~ 849	dB _{p-p}	-	0.4	1.0
VSWR	824 ~ 849	-	-	1.9	2.4
Absolute Attenuation	859	dB	4	9	-
	869 ~ 894	dB	45	50	-
Rx_881.5MHz		SPECIFICATIONS			
ITEM	CONDITION [MHz]	Unit	Min.	Typ.	Max.
Insertion Loss	869 ~ 894	dB	-	2.0	3.0
Ripple	869 ~ 894	dB _{p-p}	-	0.8	1.5
VSWR	869 ~ 894	-	-	1.7	2.2
Absolute Attenuation	824 ~ 849	dB	50	58	-
	859	dB	4	13	-
Rx → Tx		SPECIFICATIONS			
ITEM	CONDITION [MHz]	Unit	Min.	Typ.	Max.
Isolation	824 ~ 849	dB	50	55	-
	869 ~ 894	dB	48	53	-

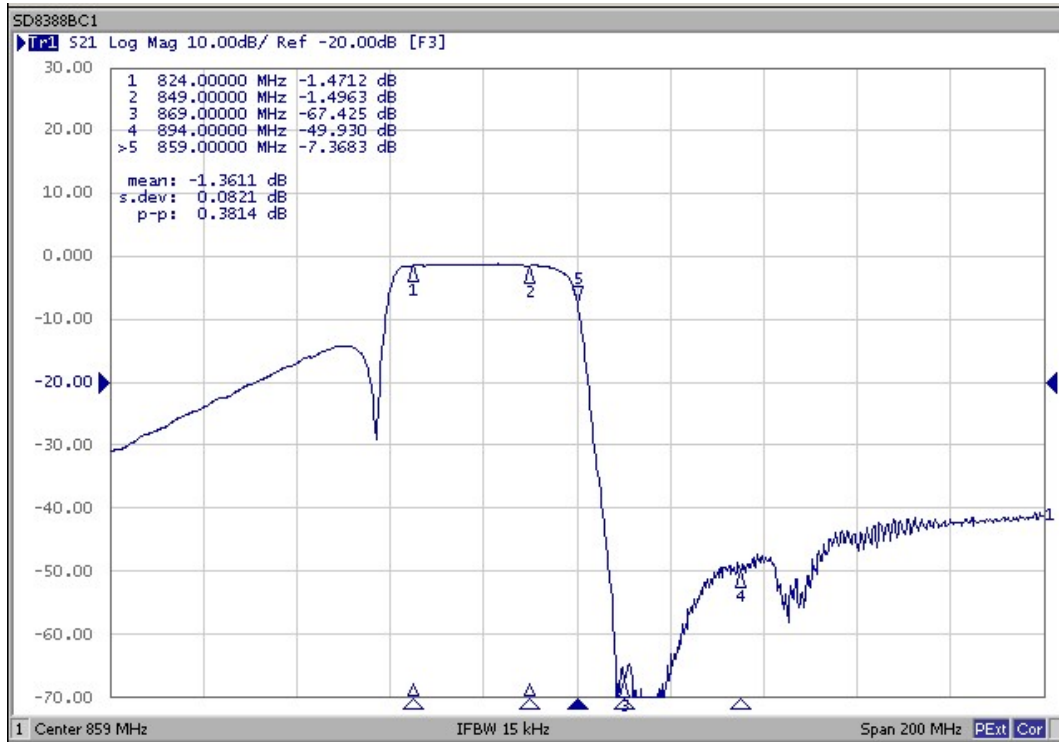
Note: Including losses due to Test PCB (0.3dB)

SAW Duplexer 836.50 / 881.50MHz
Part No: MP05788

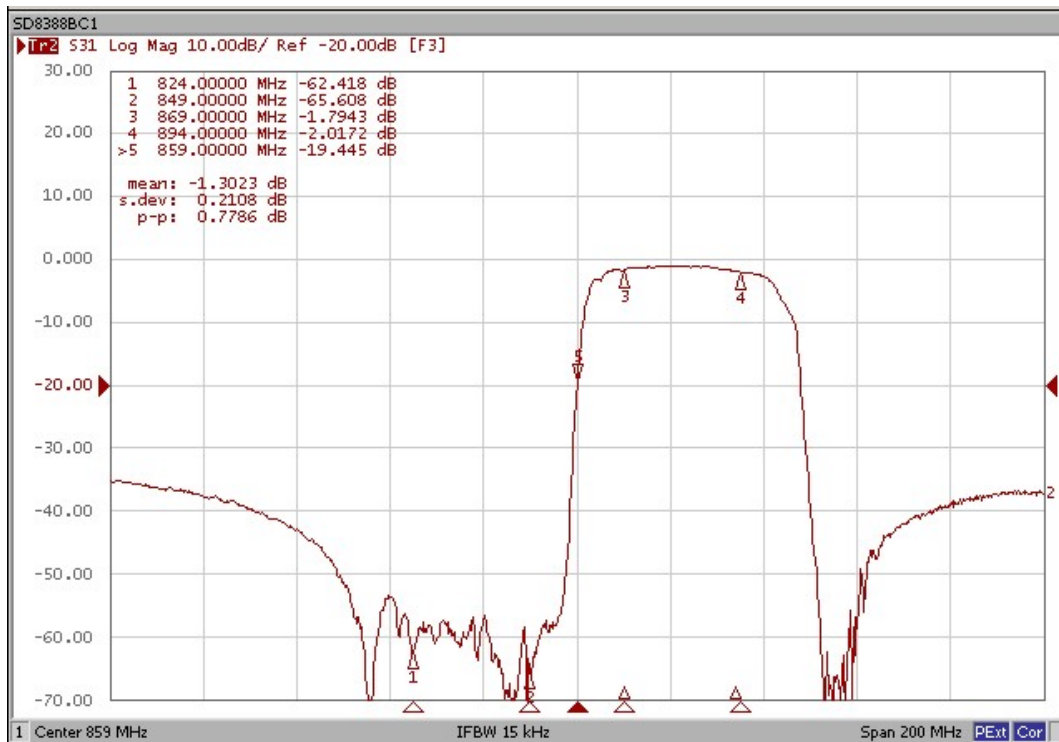
Model: TF0071A
Rev. No: 1

C. FREQUENCY CHARACTERISTICS:

Tx Characteristic



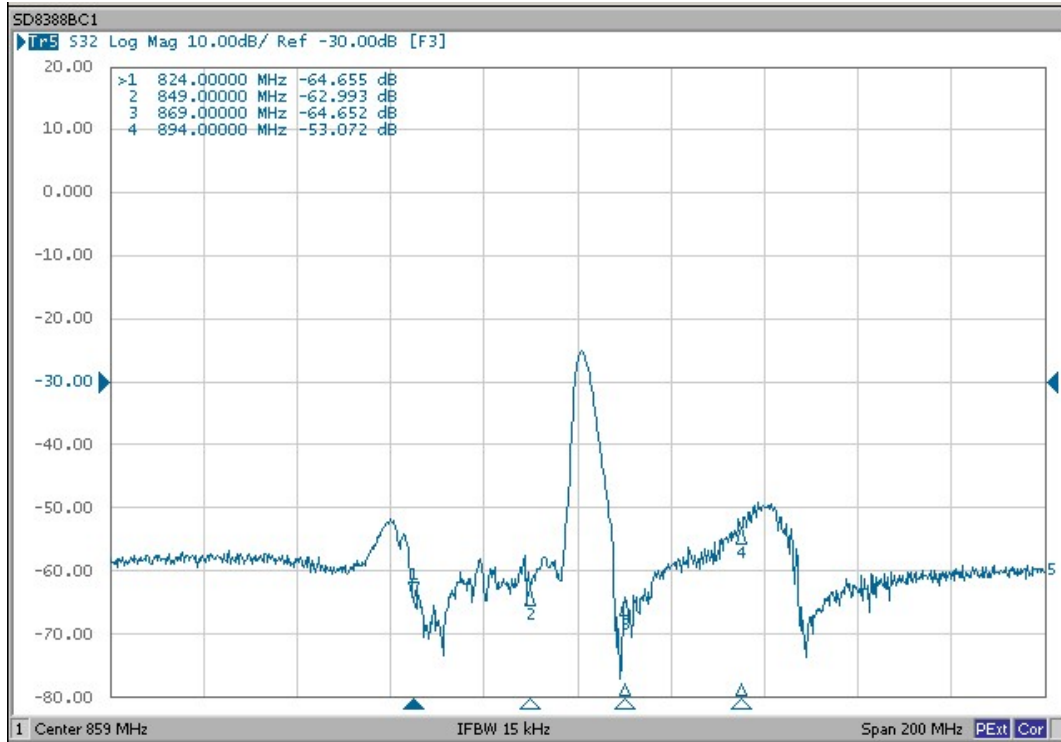
Rx Characteristic



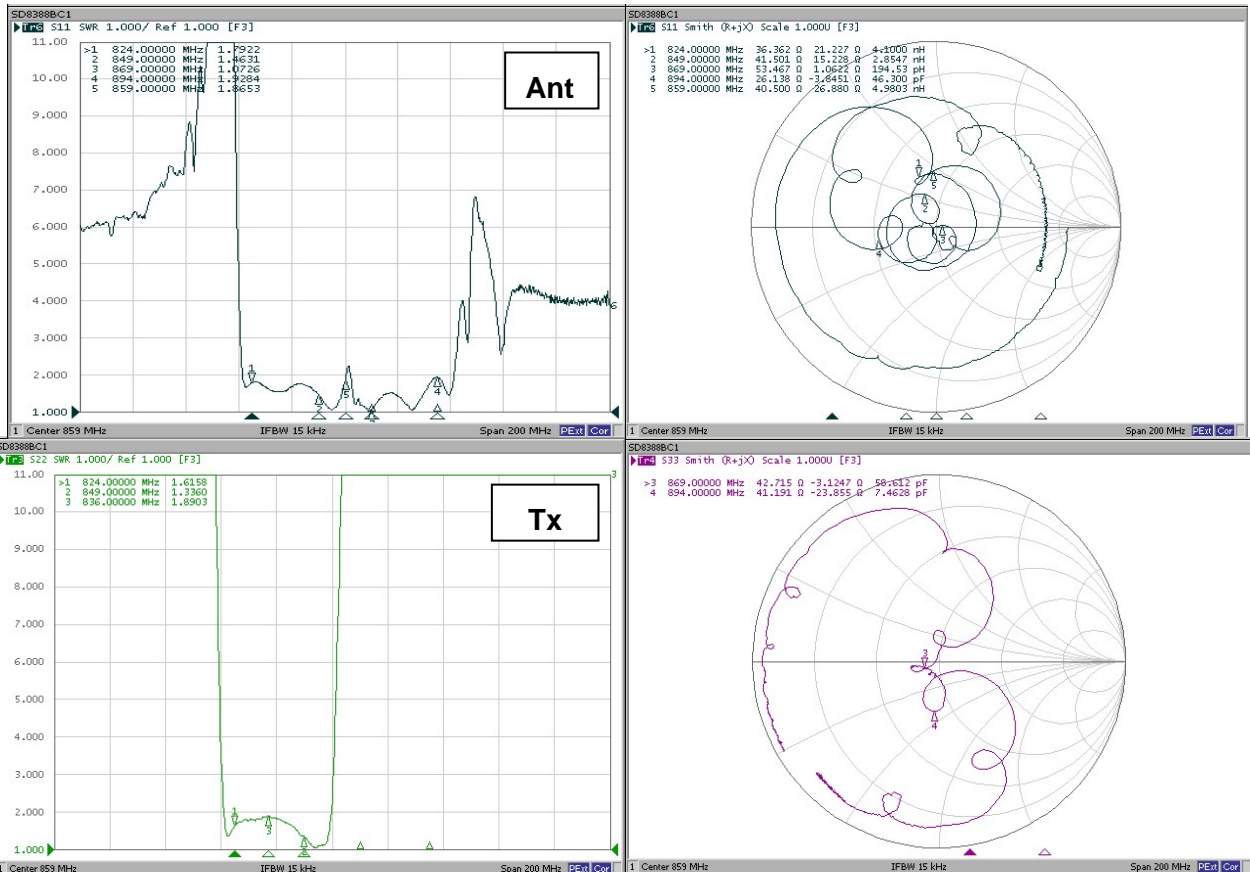
SAW Duplexer 836.50 / 881.50MHz
Part No: MP05788

Model: TF0071A
Rev. No: 1

Isolation Characteristic

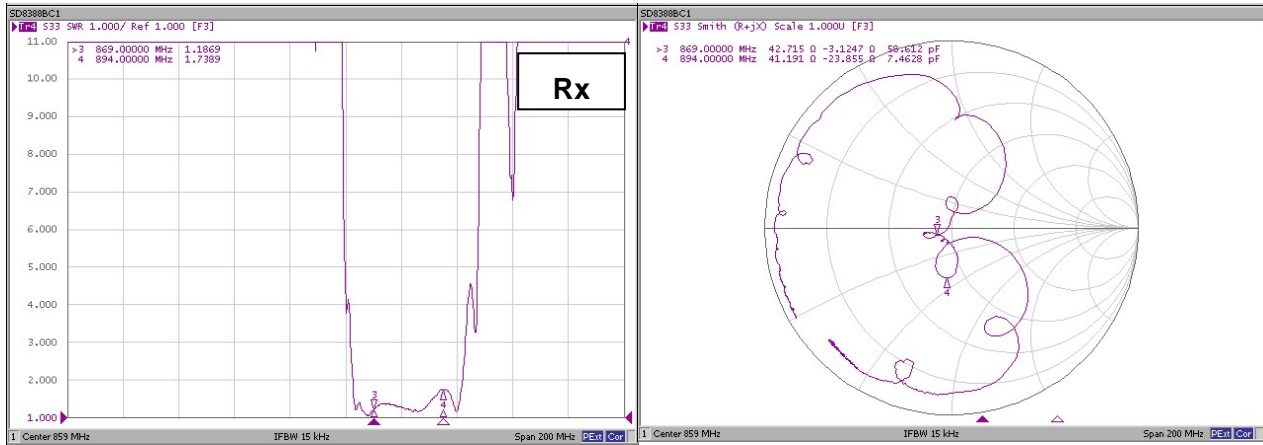


VSWR & Smith Chart



SAW Duplexer 836.50 / 881.50MHz
Part No: MP05788

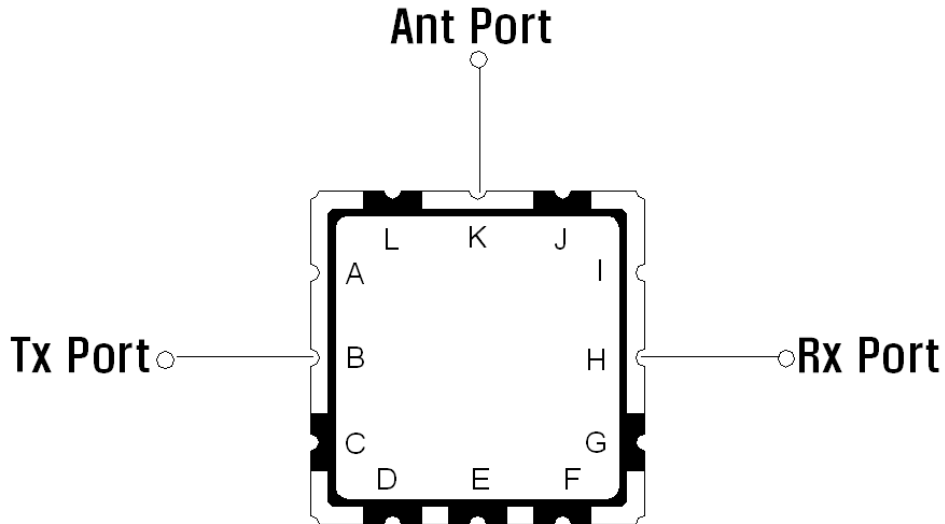
Model: TF0071A
Rev. No: 1



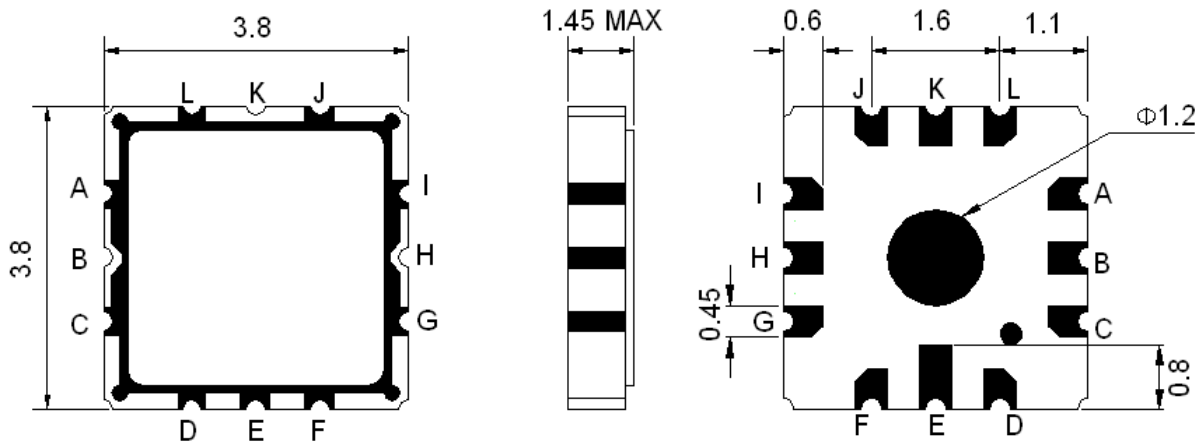
SAW Duplexer 836.50 / 881.50MHz
Part No: MP05788

Model: TF0071A
Rev. No: 1

D. MEASUREMENT CIRCUIT:



E. OUTLINE DRAWING:



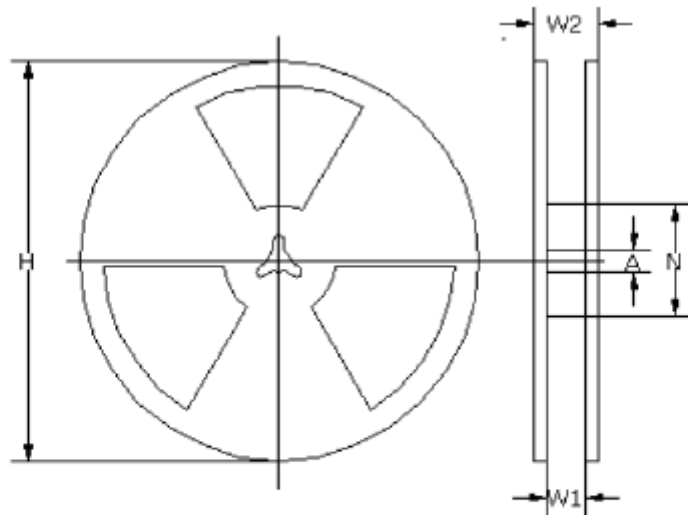
A, C, D, E, F, G, I, J, L: Ground
H: Rx Port (881.5MHz)
K: Antenna
B: Tx Port (836.5MHz)
Unit: mm

SAW Duplexer 836.50 / 881.50MHz
Part No: MP05788

Model: TF0071A
Rev. No: 1

F. PACKING:

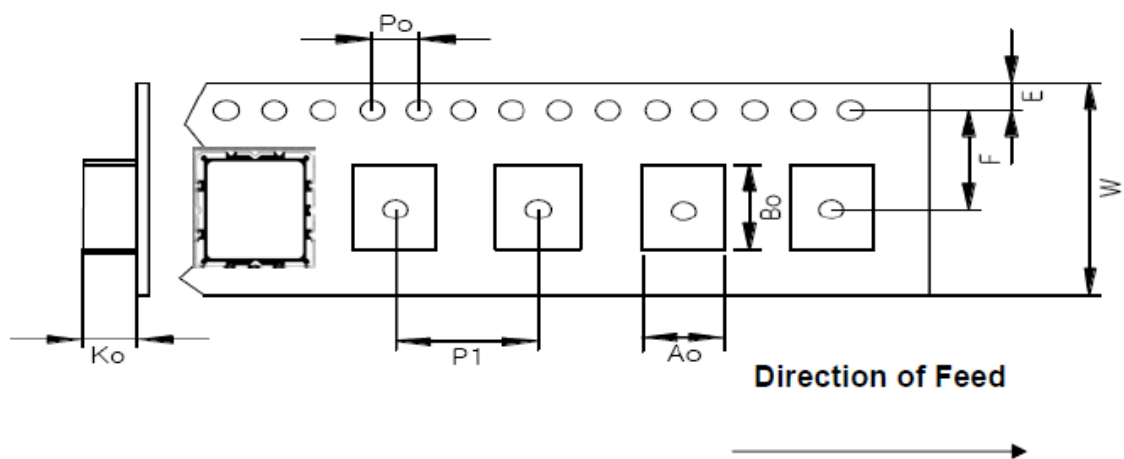
1. Reel Dimension



(Unit : mm)

A	N	H	W1	W2
$\Phi 13 \pm 0.5$	$\Phi 62 \pm 1.0$	$\Phi 330.0 \pm 1.0$	12.0 ± 1.0	16.0 ± 1.0

2. Tape Dimension



A	B	K0	W	E	F	P0	P1
3.4 ± 0.1	3.4 ± 0.1	1.4 ± 0.1	12.0 ± 0.3	1.75 ± 0.1	5.5 ± 0.1	4.0 ± 0.1	8.0 ± 0.1

SAW Duplexer 836.50 / 881.50MHz
Part No: MP05788

Model: TF0071A
Rev. No: 1

G. RECOMMENDED REFLOW PROFILE:

