

**SAW Duplexer 707.0 / 737.0MHz**  
**Part No: MP05779**

**Model: TF0076A**  
**Rev. No: 1**

**A. MAXIMUM RATING:**

1. Maximum Input Power: 30dBm
2. DC voltage: 0V
3. Operating Temperature: 0°C to +50°C
4. Storage Temperature: -40°C to +85°C

**B. ELECTRICAL CHARACTERISTICS:**

Tx(707.0MHz) → Ant		Specifications			
Parameters Description	Condition [MHz]	Unit	Minimum	Typical	Maximum
Insertion Loss	698.0 ~ 716.0	dB	-	1.9	3.0
Amplitude Ripple	698.0 ~ 716.0	dB <sub>p-p</sub>	-	0.9	1.5
VSWR <sup>2</sup>	698.0 ~ 716.0 <sup>1</sup>	-	-	1.8	2.2
Absolute Attenuation	728.0 ~ 746.0	dB	40	48	-

Ant → Rx(737.0MHz)		Specifications			
Parameters Description	Condition [MHz]	Unit	Minimum	Typical	Maximum
Insertion Loss	728.0 ~ 746.0	dB	-	1.9	3.0
Amplitude Ripple	728.0 ~ 746.0	dB <sub>p-p</sub>	-	1.0	1.5
VSWR <sup>2</sup>	728.0 ~ 746.0 <sup>1</sup>	-	-	1.7	2.2
Absolute Attenuation	698.0 ~ 716.0	dB	35	38	-

Tx → Rx		Specifications			
Parameters Description	Condition [MHz]	Unit	Minimum	Typical	Maximum
Isolation	698.0 ~ 716.0	dB	35	38	-
	716.0 ~ 728.0	dB	20	27	-
	728.0 ~ 746.0	dB	40	50	-

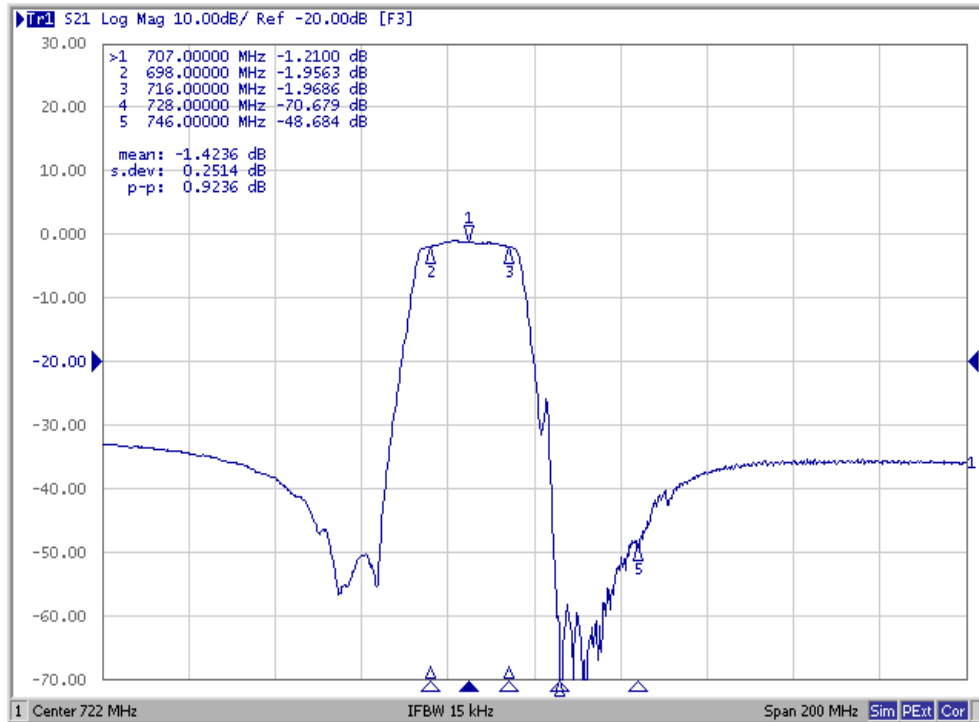
Notes: With Matching Network.

**SAW Duplexer 707.0 / 737.0MHz**  
**Part No: MP05779**

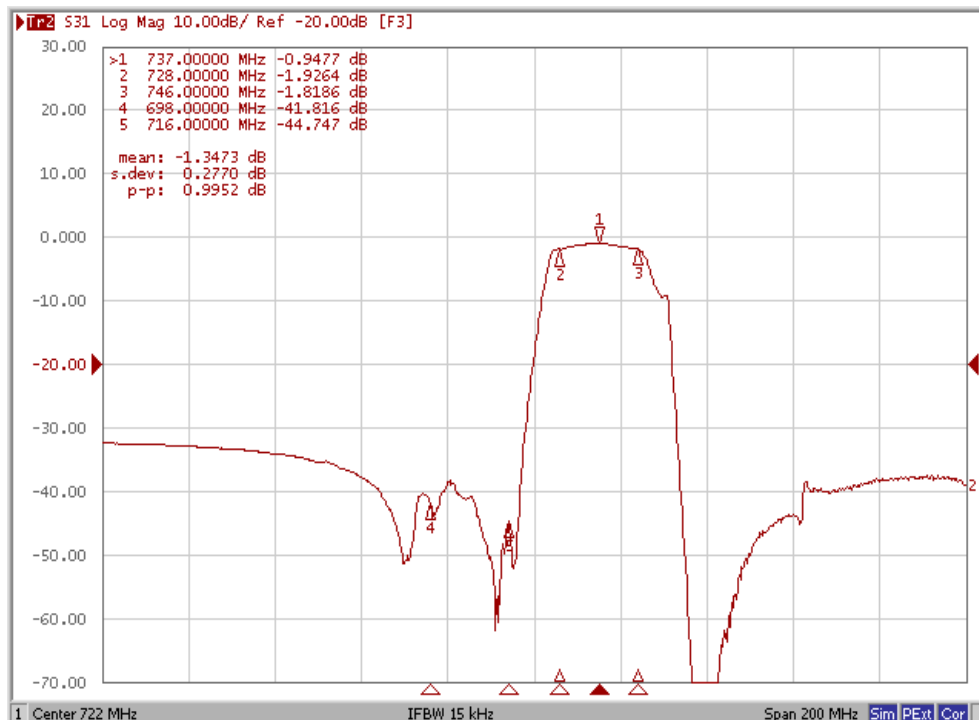
**Model: TF0076A**  
**Rev. No: 1**

**C. FREQUENCY CHARACTERISTICS:**

Tx Characteristic



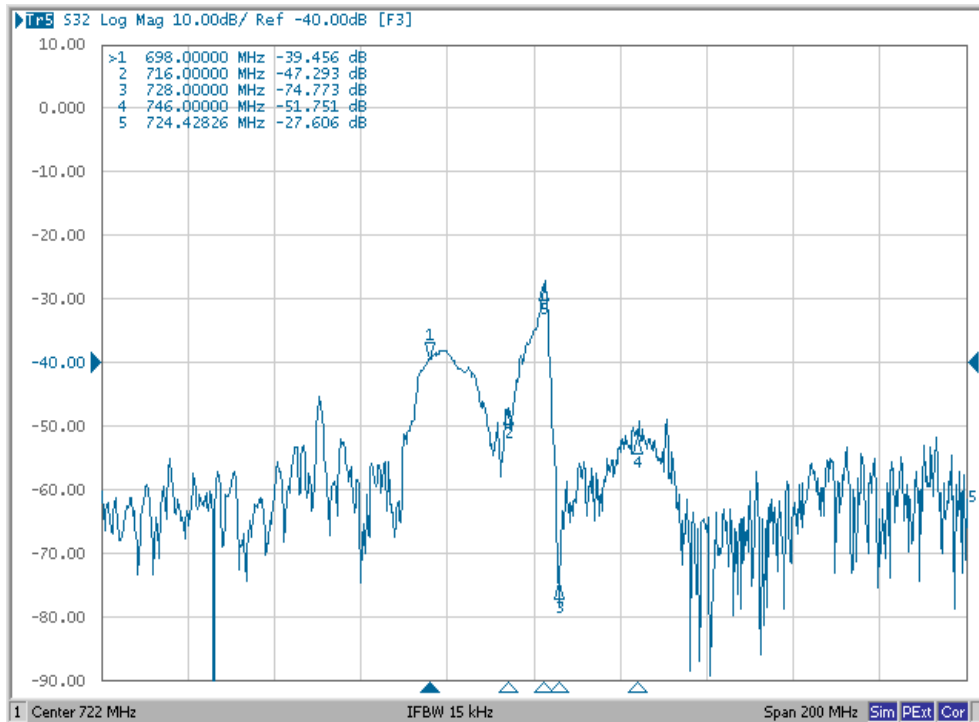
Rx Characteristic



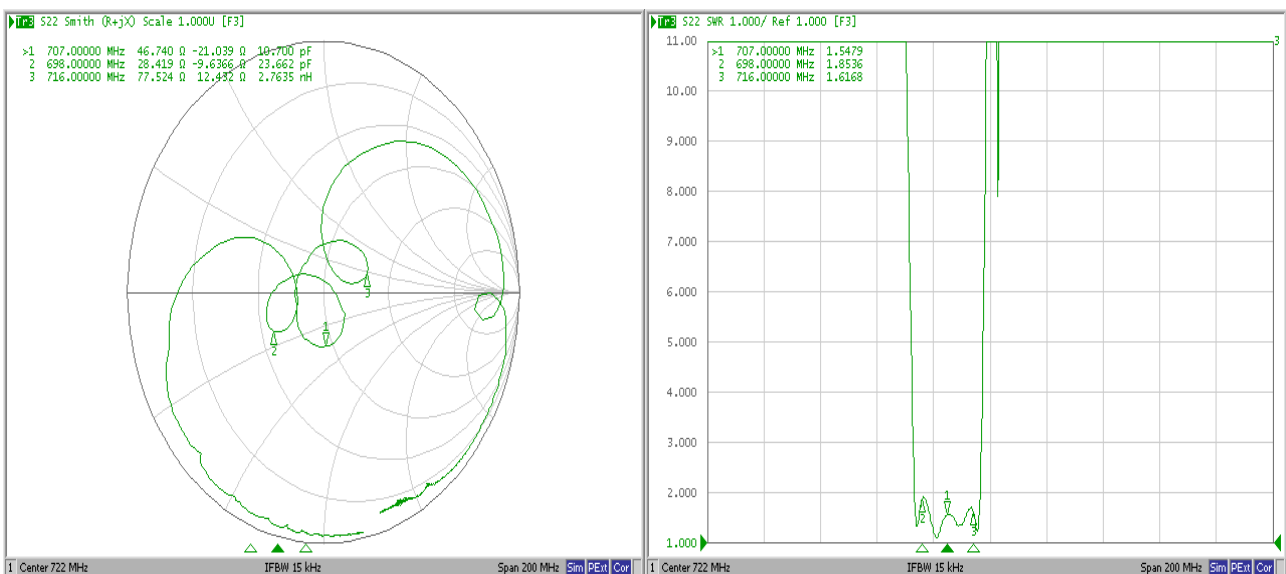
**SAW Duplexer 707.0 / 737.0MHz**  
**Part No: MP05779**

**Model: TF0076A**  
**Rev. No: 1**

Isolation Characteristic



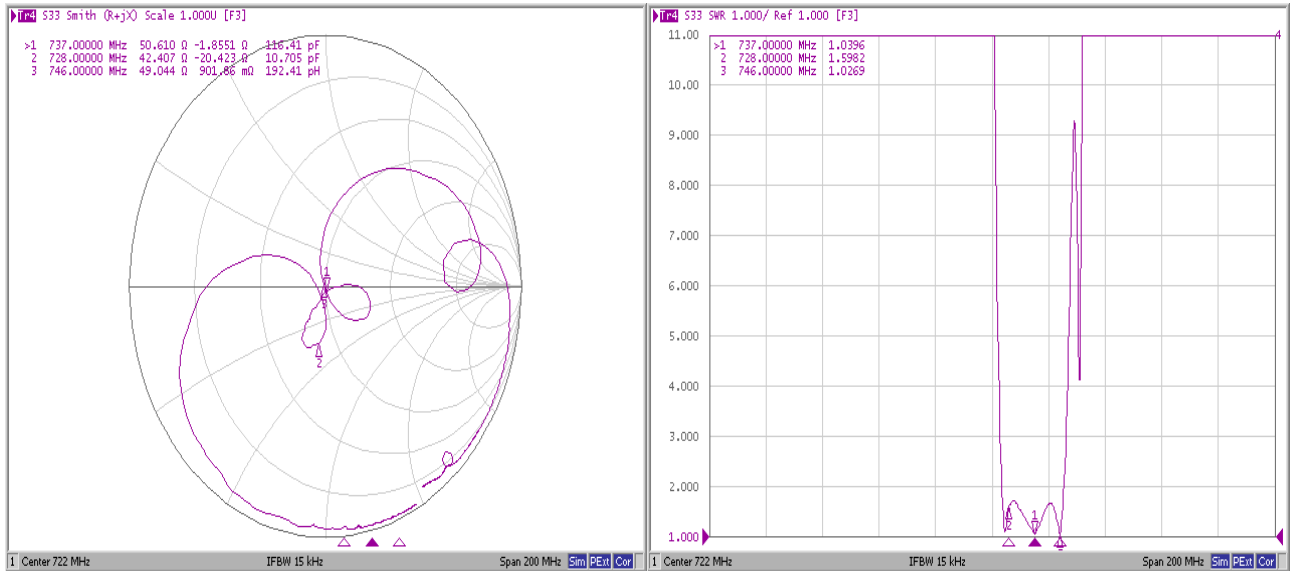
VSWR & Smith Chart



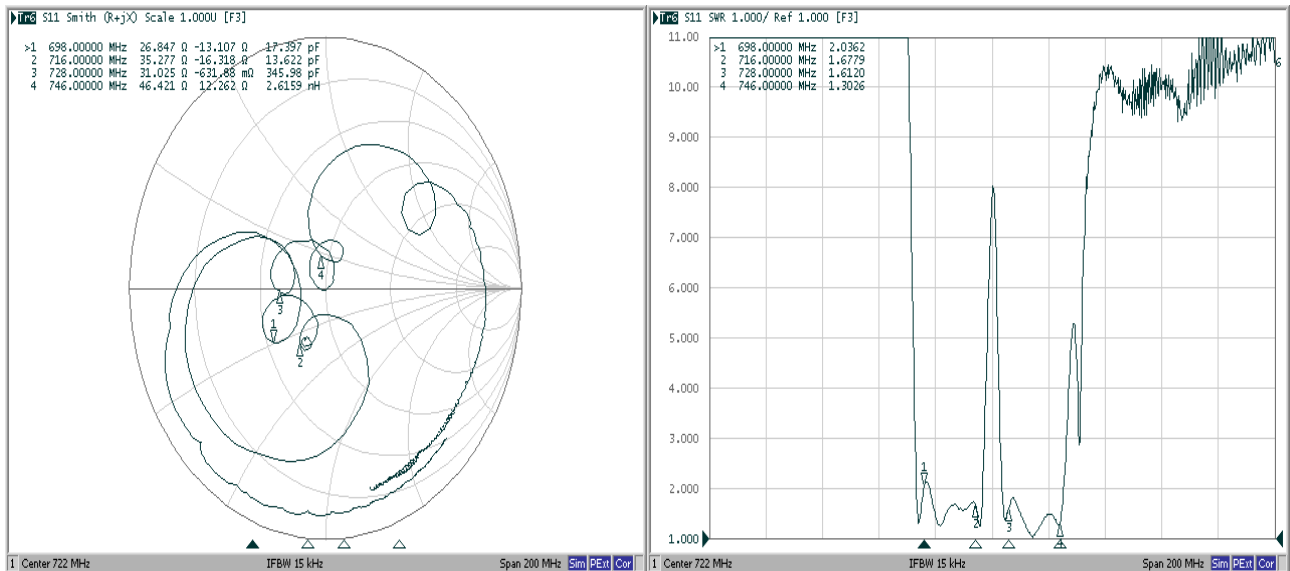
**SAW Duplexer 707.0 / 737.0MHz**  
**Part No: MP05779**

**Model: TF0076A**  
**Rev. No: 1**

Rx Part



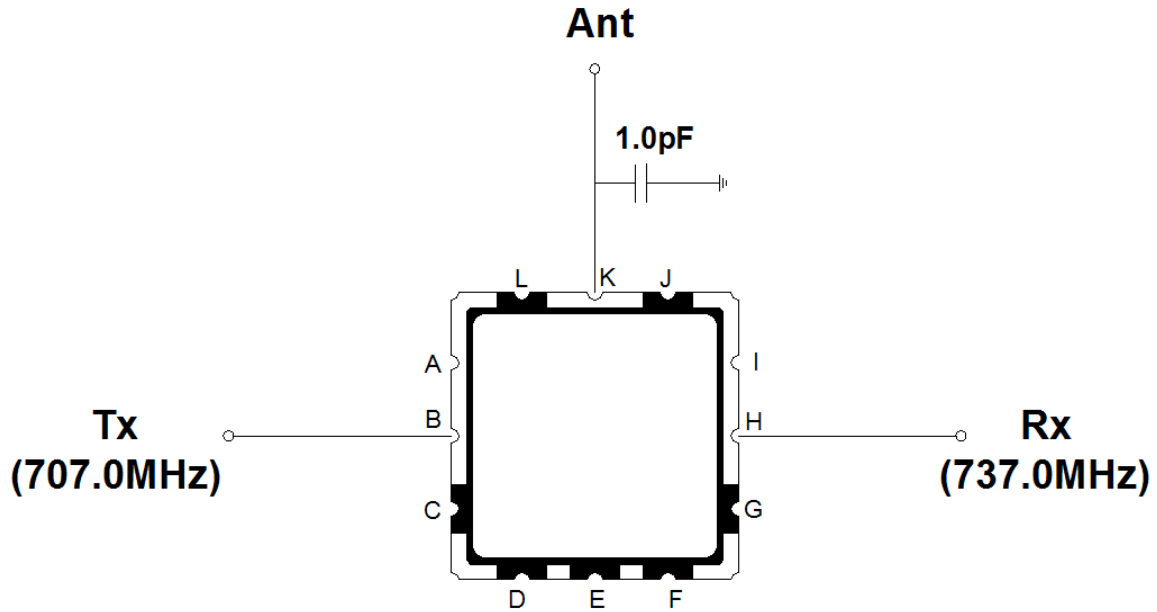
Antenna



**SAW Duplexer 707.0 / 737.0MHz**  
**Part No: MP05779**

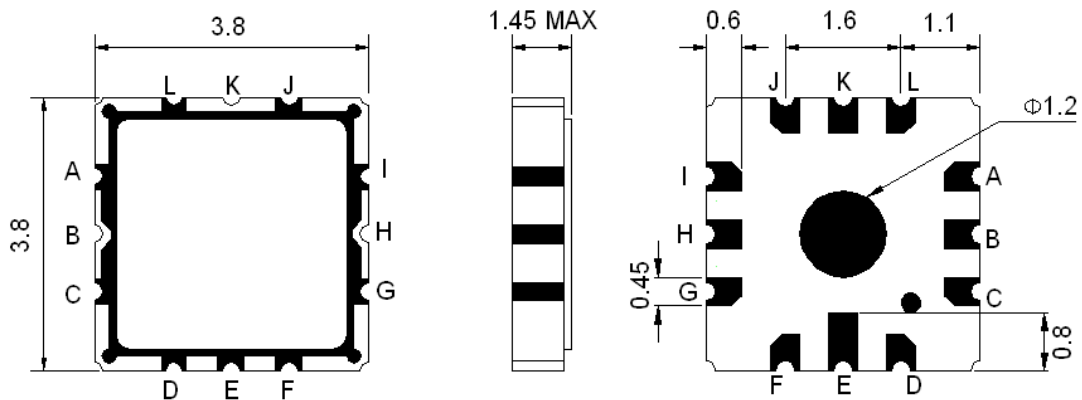
**Model: TF0076A**  
**Rev. No: 1**

**D. MEASUREMENT CIRCUIT:**



**E. OUTLINE DRAWING:**

Unit: mm



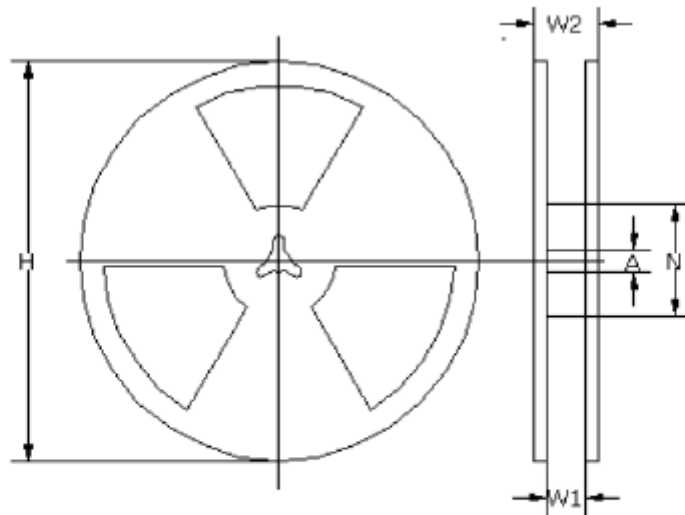
A, C, D, E, F, G, I, J, L: Ground  
 K: Ant  
 B: Rx (737.0MHz)  
 H: Tx (707.0MHz)

**SAW Duplexer 707.0 / 737.0MHz**  
**Part No: MP05779**

**Model: TF0076A**  
**Rev. No: 1**

**F. PACKING:**

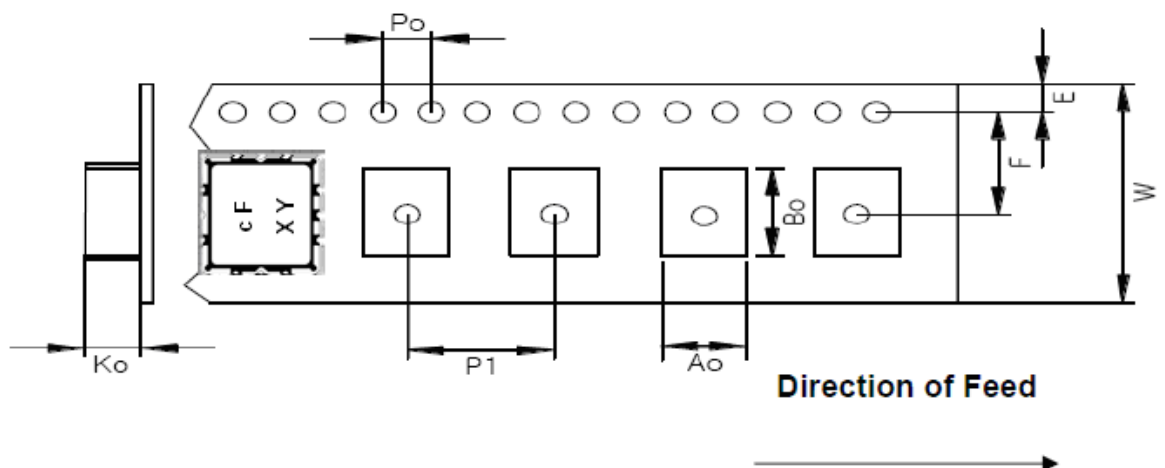
1. Reel Dimension



(Unit : mm)

A	N	H	W1	W2
$\Phi 13 \pm 0.5$	$\Phi 62 \pm 1.0$	$\Phi 330.0 \pm 1.0$	$12.0 \pm 1.0$	$16.0 \pm 1.0$

2. Tape Dimension



A	B	K0	W	E	F	P0	P1
$3.4 \pm 0.1$	$3.4 \pm 0.1$	$1.4 \pm 0.1$	$12.0 \pm 0.3$	$1.75 \pm 0.1$	$5.5 \pm 0.1$	$4.0 \pm 0.1$	$8.0 \pm 0.1$

**SAW Duplexer 707.0 / 737.0MHz**  
**Part No: MP05779**

**Model: TF0076A**  
**Rev. No: 1**

**G. RECOMMENDED REFLOW PROFILE:**

