

SAW Duplexer 707.0 / 737.0MHz
Part No: MP05778

Model: TF0075A
Rev. No: 1

A. MAXIMUM RATING:

1. Maximum Input Power: 30dBm
2. DC voltage: 0V
3. Operating Temperature: 0°C to +50°C
4. Storage Temperature: -40°C to +85°C

B. ELECTRICAL CHARACTERISTICS:

Tx(707.0MHz) → Ant		Specifications			
Parameters Description	Condition [MHz]	Unit	Minimum	Typical	Maximum
Insertion Loss	698.0 ~ 716.0	dB	-	1.9	3.0
Amplitude Ripple	698.0 ~ 716.0	dB _{p-p}	-	0.9	1.5
VSWR	698.0 ~ 716.0	-	-	1.8	2.2
Absolute Attenuation	728.0 ~ 746.0	dB	40	48	-

Ant → Rx(737.0MHz)		Specifications			
Parameters Description	Condition [MHz]	Unit	Minimum	Typical	Maximum
Insertion Loss	728.0 ~ 746.0	dB	-	1.9	3.0
Amplitude Ripple	728.0 ~ 746.0	dB _{p-p}	-	1.0	1.5
VSWR	728.0 ~ 746.0	-	-	1.7	2.2
Absolute Attenuation	698.0 ~ 716.0	dB	35	38	-

Tx → Rx		Specifications			
Parameters Description	Condition [MHz]	Unit	Minimum	Typical	Maximum
Isolation	698.0 ~ 716.0	dB	35	38	-
	716.0 ~ 728.0	dB	20	27	-
	728.0 ~ 746.0	dB	40	50	-

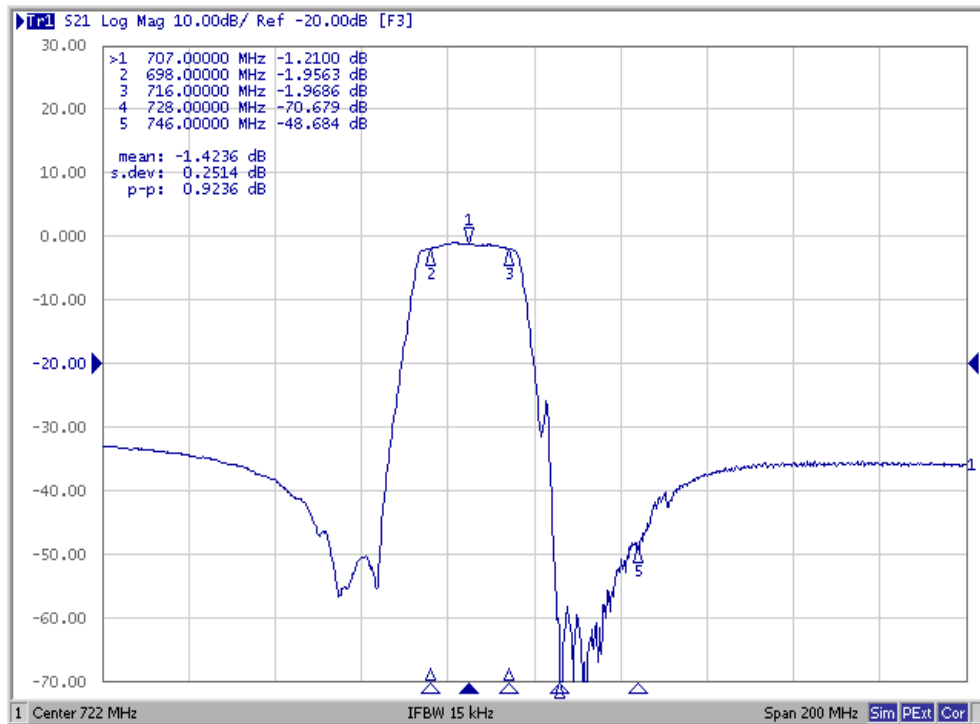
Note: With Matching Network.

SAW Duplexer 707.0 / 737.0MHz
Part No: MP05778

Model: TF0075A
Rev. No: 1

C. FREQUENCY CHARACTERISTICS:

Tx Characteristic



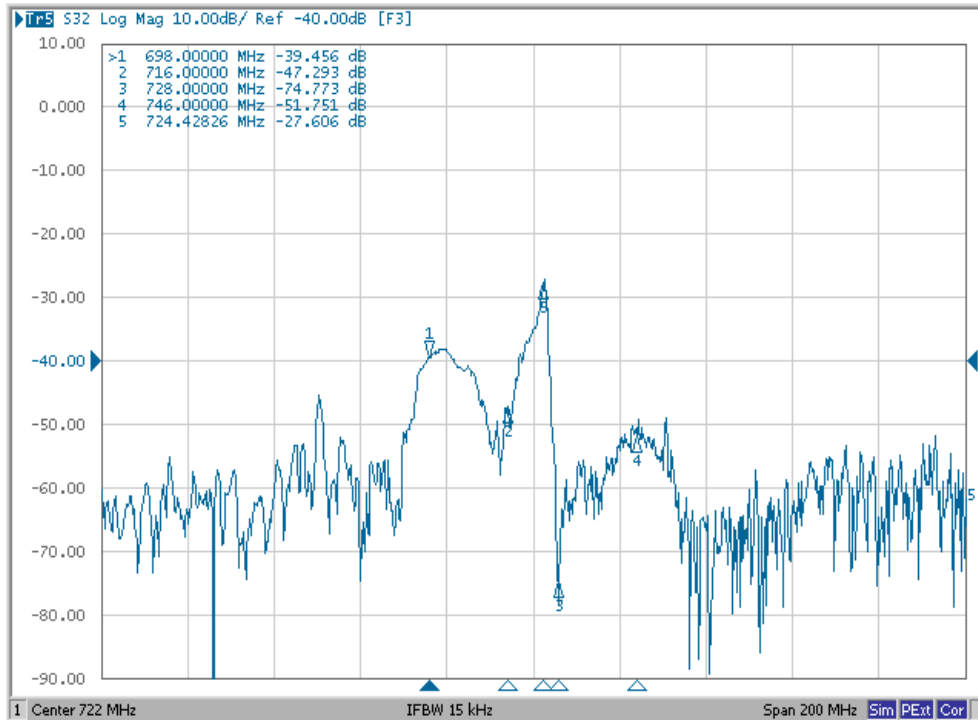
Rx Characteristic



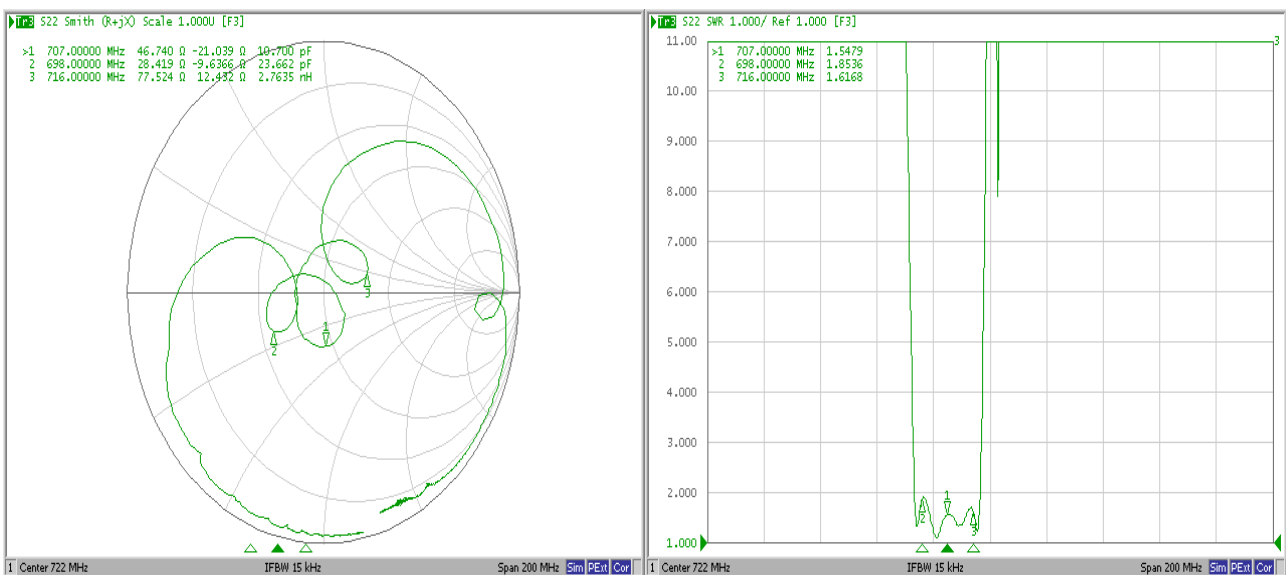
SAW Duplexer 707.0 / 737.0MHz
Part No: MP05778

Model: TF0075A
Rev. No: 1

Isolation Characteristic



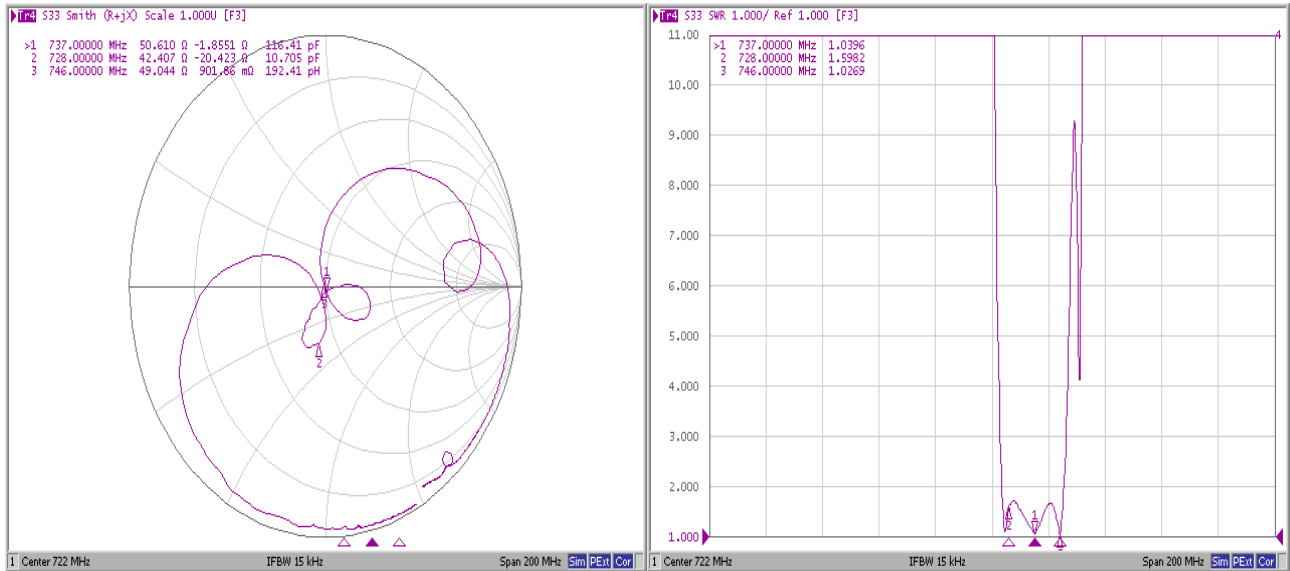
VSWR & Smith Chart



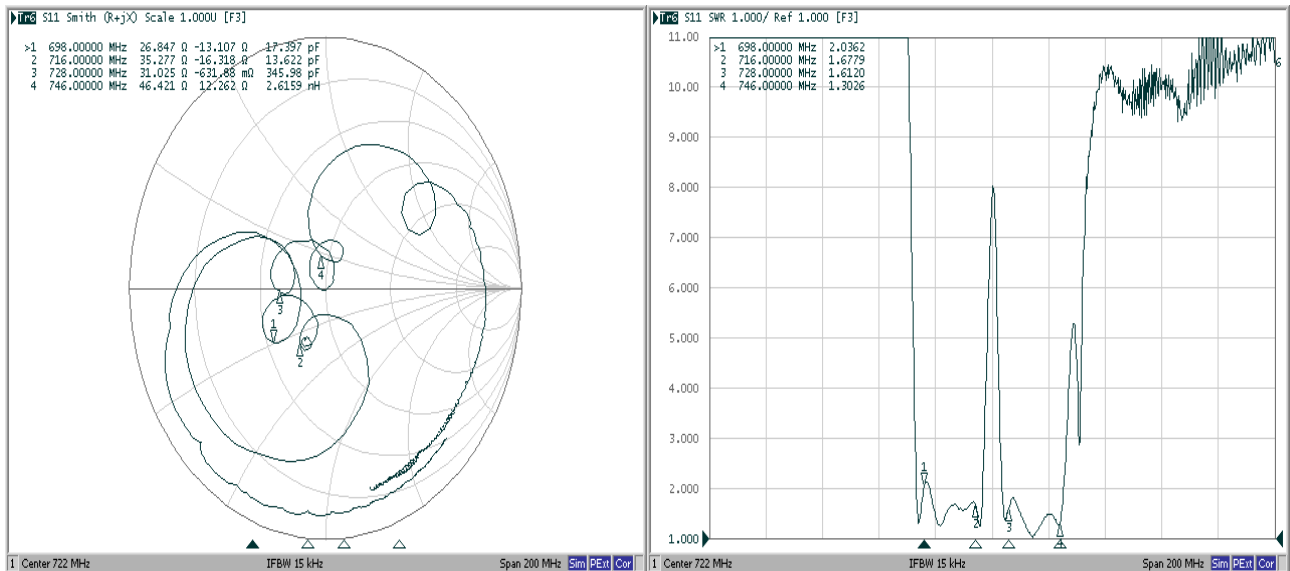
SAW Duplexer 707.0 / 737.0MHz
Part No: MP05778

Model: TF0075A
Rev. No: 1

Rx Part



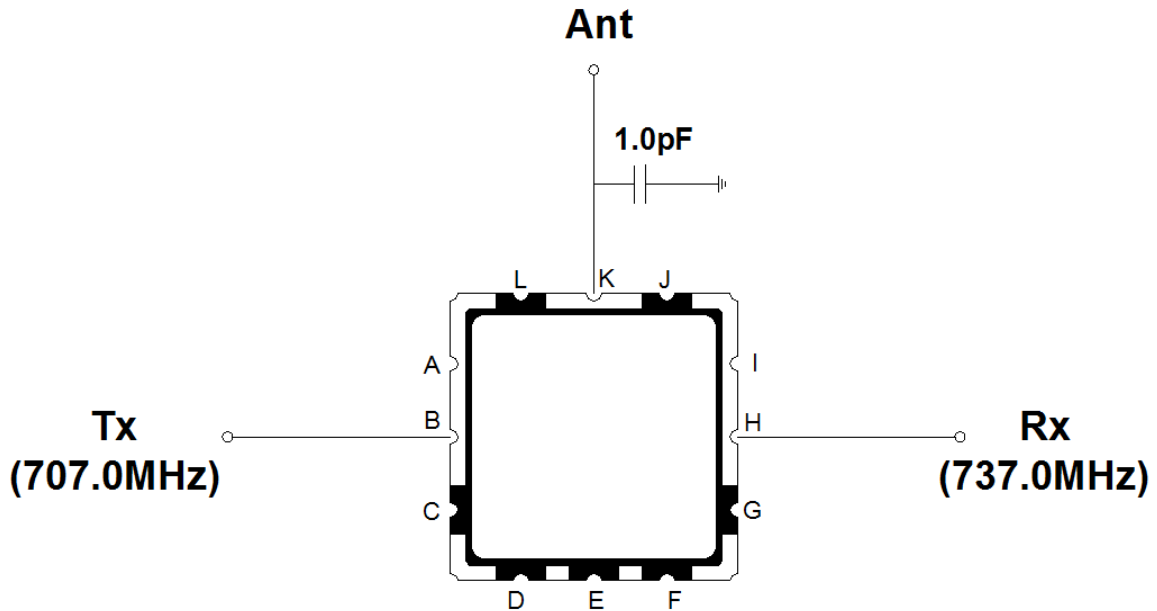
Antenna



SAW Duplexer 707.0 / 737.0MHz
Part No: MP05778

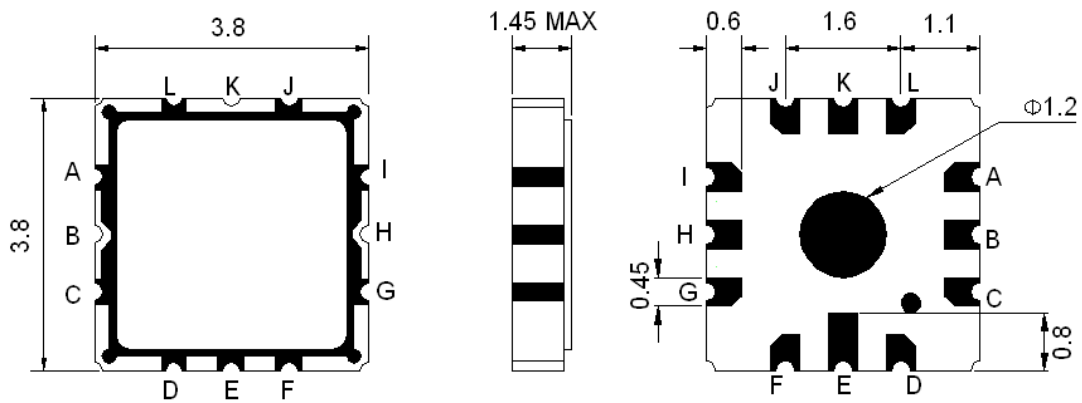
Model: TF0075A
Rev. No: 1

D. MEASUREMENT CIRCUIT:



E. OUTLINE DRAWING:

Unit: mm



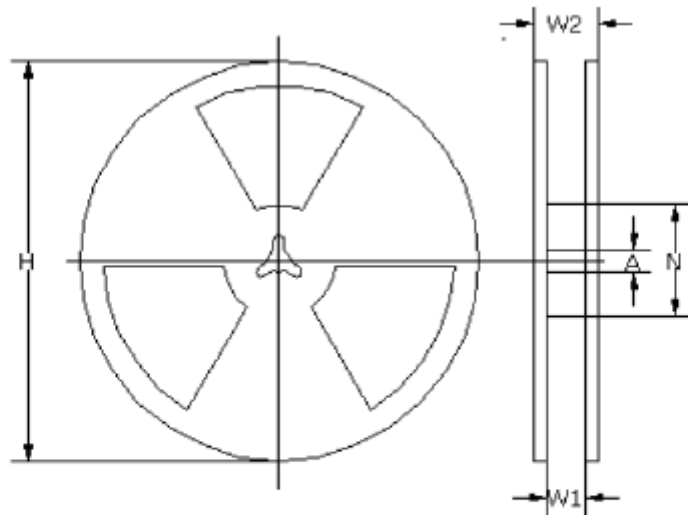
A, C, D, E, F, G, I, J, L: Ground
 K: Ant
 B: Tx (707.0MHz)
 H: Rx (737.0MHz)

SAW Duplexer 707.0 / 737.0MHz
Part No: MP05778

Model: TF0075A
Rev. No: 1

F. PACKING:

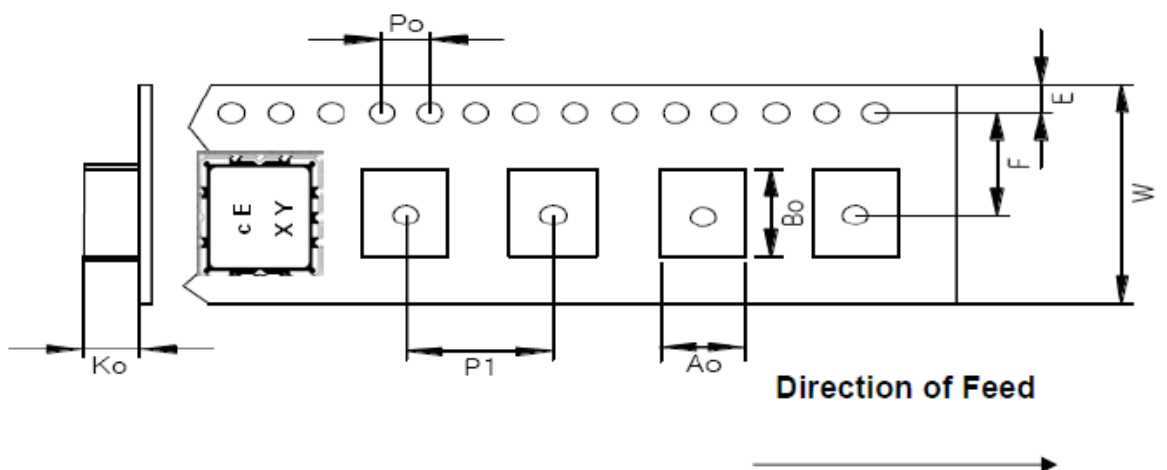
1. Reel Dimension



(Unit : mm)

A	N	H	W1	W2
$\Phi 13 \pm 0.5$	$\Phi 62 \pm 1.0$	$\Phi 330.0 \pm 1.0$	12.0 ± 1.0	16.0 ± 1.0

2. Tape Dimension



A	B	K0	W	E	F	P0	P1
3.4 ± 0.1	3.4 ± 0.1	1.4 ± 0.1	12.0 ± 0.3	1.75 ± 0.1	5.5 ± 0.1	4.0 ± 0.1	8.0 ± 0.1

SAW Duplexer 707.0 / 737.0MHz
Part No: MP05778

Model: TF0075A
Rev. No: 1

G. RECOMMENDED REFLOW PROFILE:

