

**SAW Filter 1840.0MHz**  
**Part No: MP05713**

**Model: TA1612A**  
**Rev No: 1**

**A. MAXIMUM RATING:**

Electrostatic Sensitive Device (ESD)

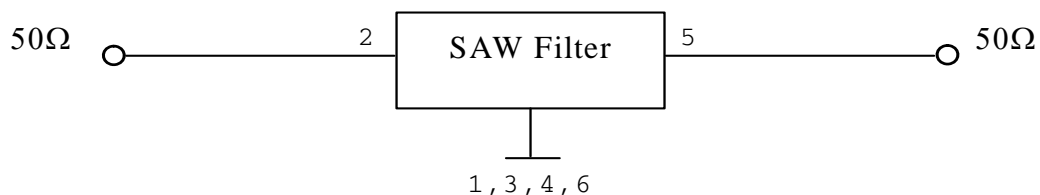
1. Input Power Level: 10dBm
2. DC Voltage: 3V
3. Operating Temperature: -40°C to +85°C
4. Storage Temperature: -40°C to +85°C

**B. ELECTRICAL CHARACTERISTICS:**

| Item                                   | Unit  | Min. | Typ. | Max. |
|--|-------|------|------|------|
| Center Frequency Fc                    | MHz   | -    | 1840 | -    |
| Insertion loss (1830~1850 MHz) IL      | dB    | -    | 1.8  | 3.0  |
| Amplitude ripple (1830 ~ 1850MHz)      | dB    | -    | 0.4  | 1.8  |
| VSWR (1830 ~ 1850MHz)                  | -     | -    | 1.5  | 2.0  |
| Attenuation (Reference level from 0dB) |       |      |      |      |
| 10 ~ 1750MHz                           | dB    | 28   | 35   | -    |
| 1950 ~ 2500MHz                         | dB    | 34   | 41   | -    |
| Temperature coefficient of frequency   | ppm/k | -    | -36  | -    |

**C. MEASUREMENT CIRCUIT:**

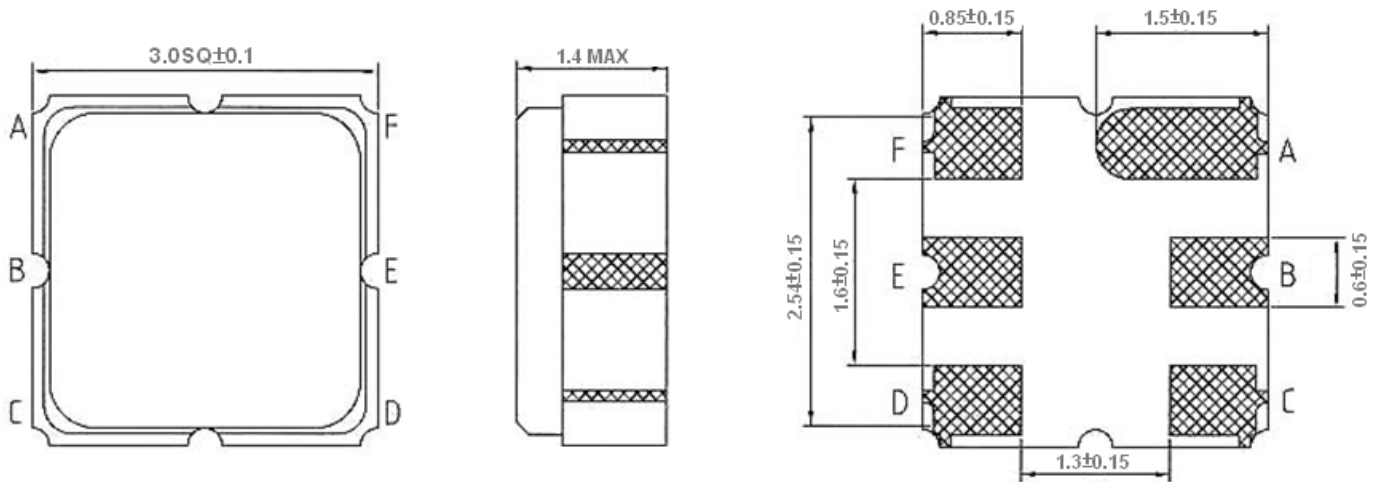
HP Network analyzer



**SAW Filter 1840.0MHz**  
**Part No: MP05713**

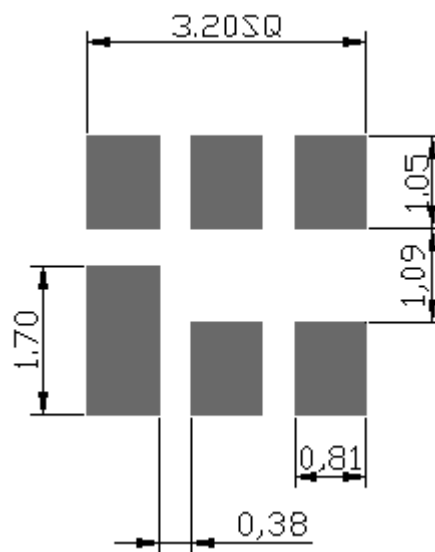
**Model: TA1612A**  
**Rev No: 1**

**D. OUTLINE DRAWING:**



B: Input  
E: Output  
A, C, D, F: Ground  
Unit: mm

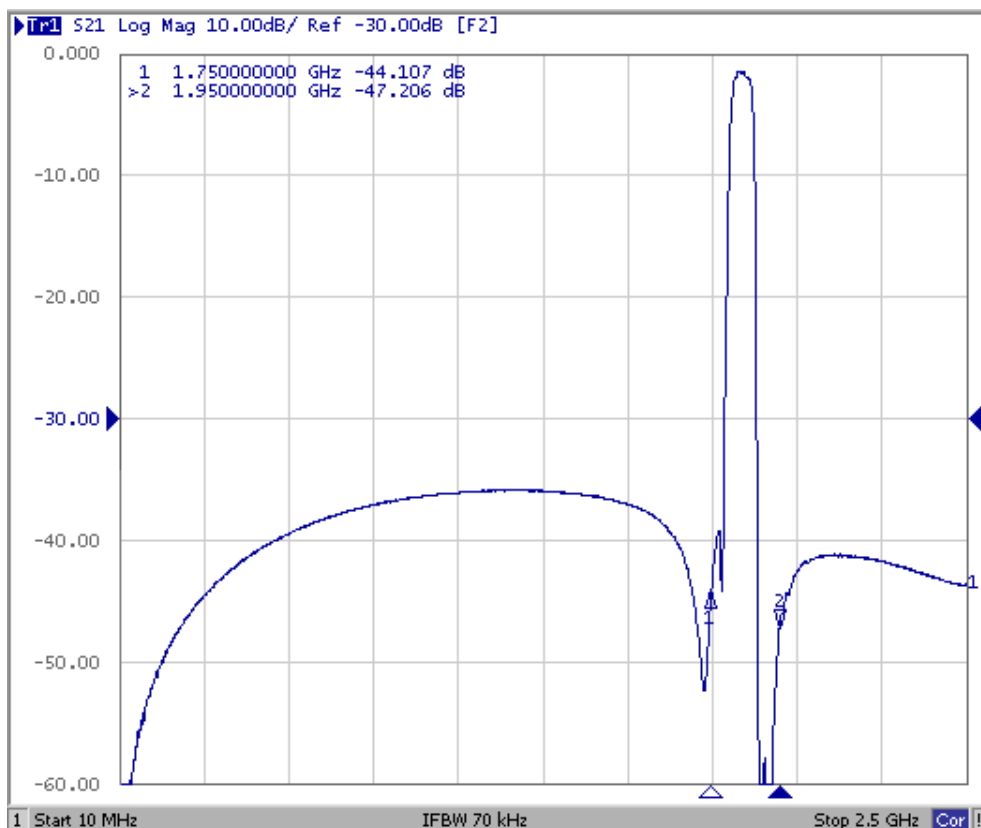
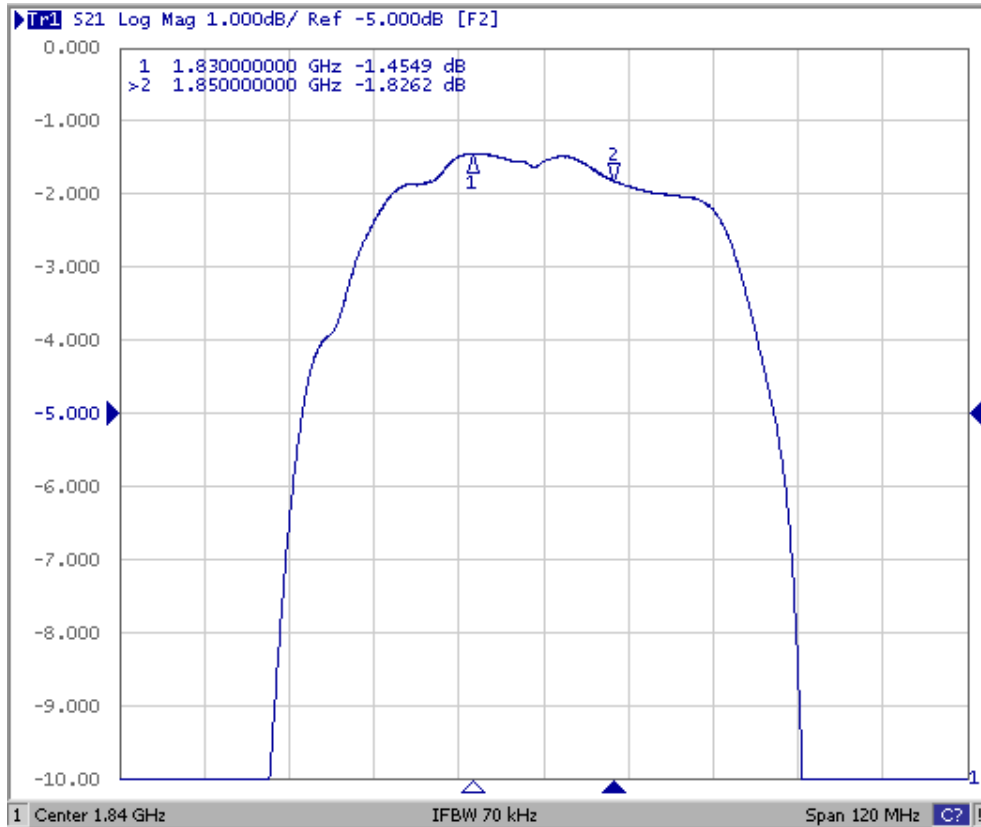
**E. PCB FOOTPRINT:**



**SAW Filter 1840.0MHz**  
**Part No: MP05713**

**Model: TA1612A**  
**Rev No: 1**

**F. FREQUENCY CHARACTERISTICS:**

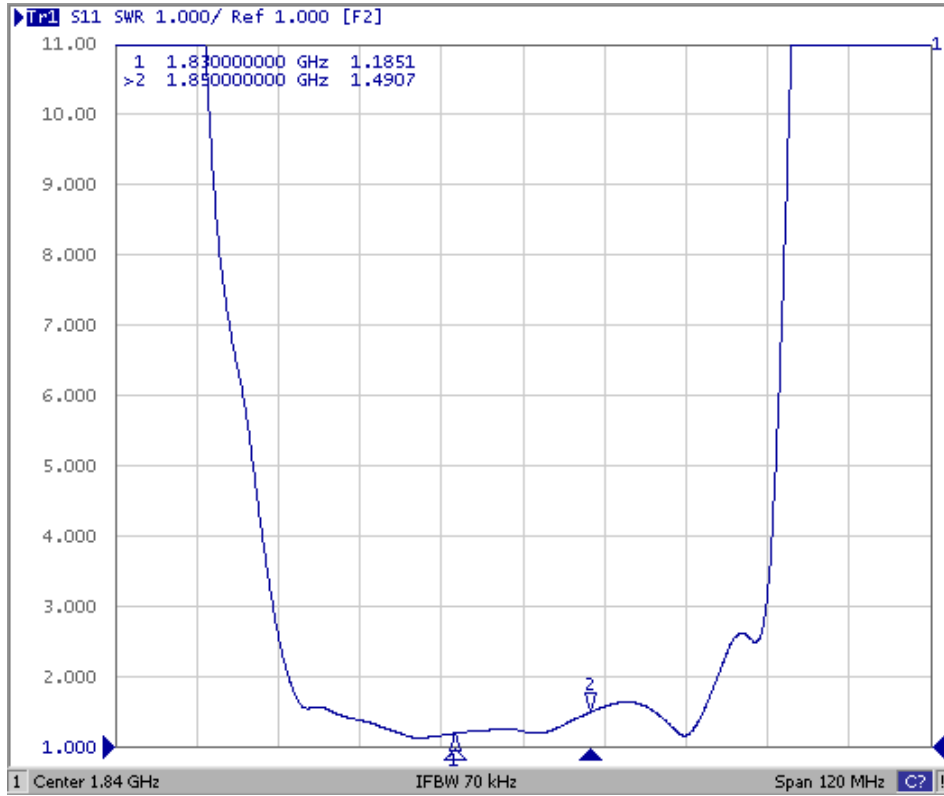


**SAW Filter 1840.0MHz**  
**Part No: MP05713**

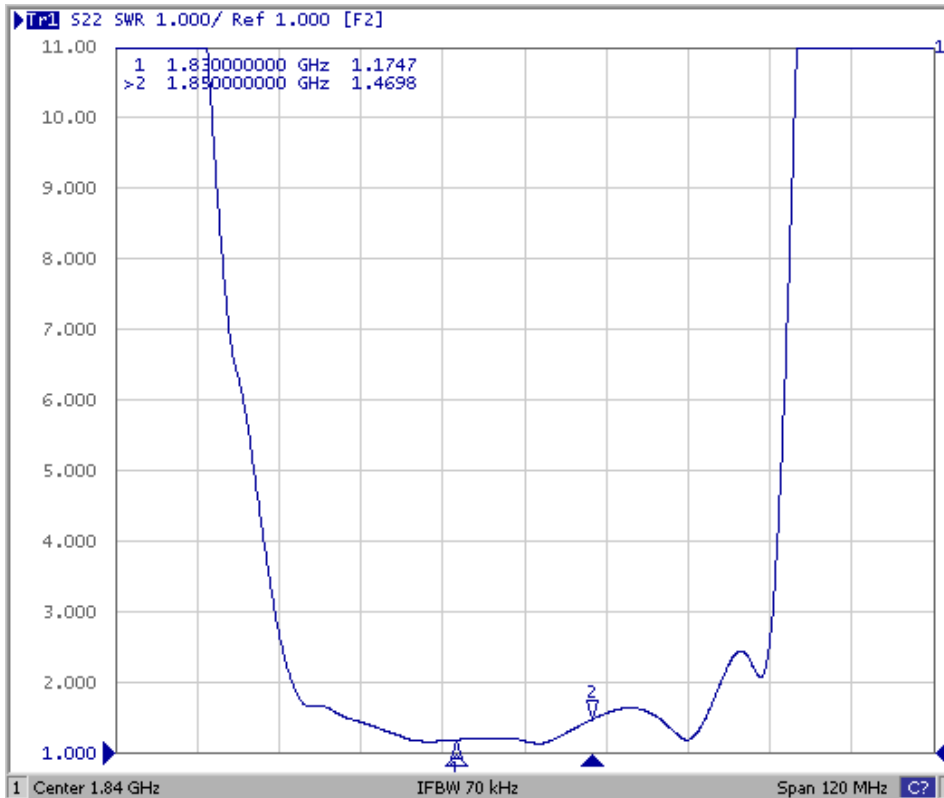
**Model: TA1612A**  
**Rev No: 1**

Reflection Functions

S11



S22

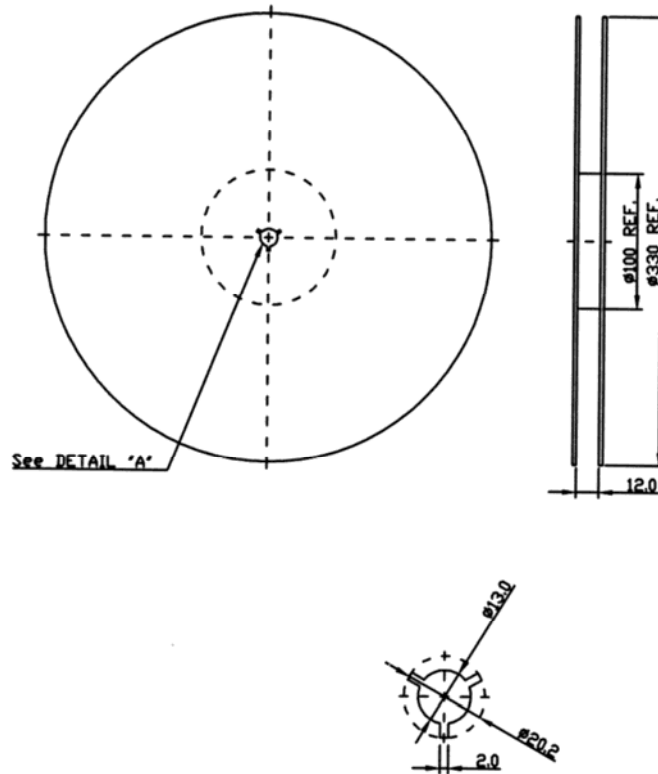


**SAW Filter 1840.0MHz**  
**Part No: MP05713**

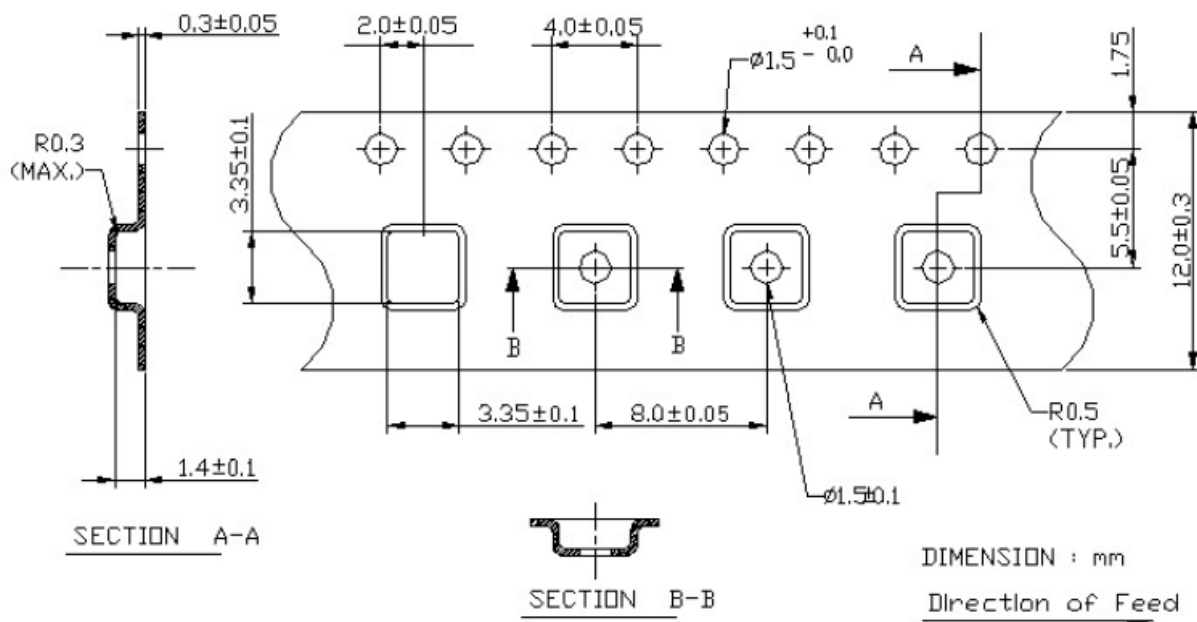
**Model: TA1612A**  
**Rev No: 1**

**G. PACKING:**

1. Reel Dimension (Please refer to FR-75D10 for packing quantity)



2. Tape Dimension



**SAW Filter 1840.0MHz**  
**Part No: MP05713**

**Model: TA1612A**  
**Rev No: 1**

**H. RECOMMENDED REFLOW PROFILE:**

