

**SAW Filter 948.0MHz**  
**Part No: MP05711**

**Model: TA1388A**  
**Rev No: 1**

**A. MAXIMUM RATING:**

Electrostatic Sensitive Device (ESD)

1. Input Power Level: 10dBm
2. DC voltage: 3V
3. Operating Temperature: -30°C to 60°C
4. Storage Temperature: -40°C to +85°C

**B. CHARACTERISTICS:**

Item	Unit	Min.	Typ.	Max.
Center frequency Fc	MHz	-	948	-
Amplitude ripple (944 ~ 952MHz)	dB	-	0.3	1.5
Insertion loss, IL (944 ~ 952MHz)	dB	-	2.3	3.0
Group delay, GD (944 ~ 952MHz)	ns		40	200
3dB Bandwidth	MHz	8	17	-
Attenuation (reference from 0dB)				
0.3 ~ 875MHz	dB	40	59	-
875 ~ 933MHz	dB	10	26	-
963 ~ 1030MHz	dB	10	31	-
1030 ~ 1350MHz	dB	40	68	-
1350 ~ 1500MHz	dB	40	46	-
Source impedance Z <sub>S</sub>	Ω	-	50	-
Load impedance Z <sub>L</sub>	Ω	-	50	-

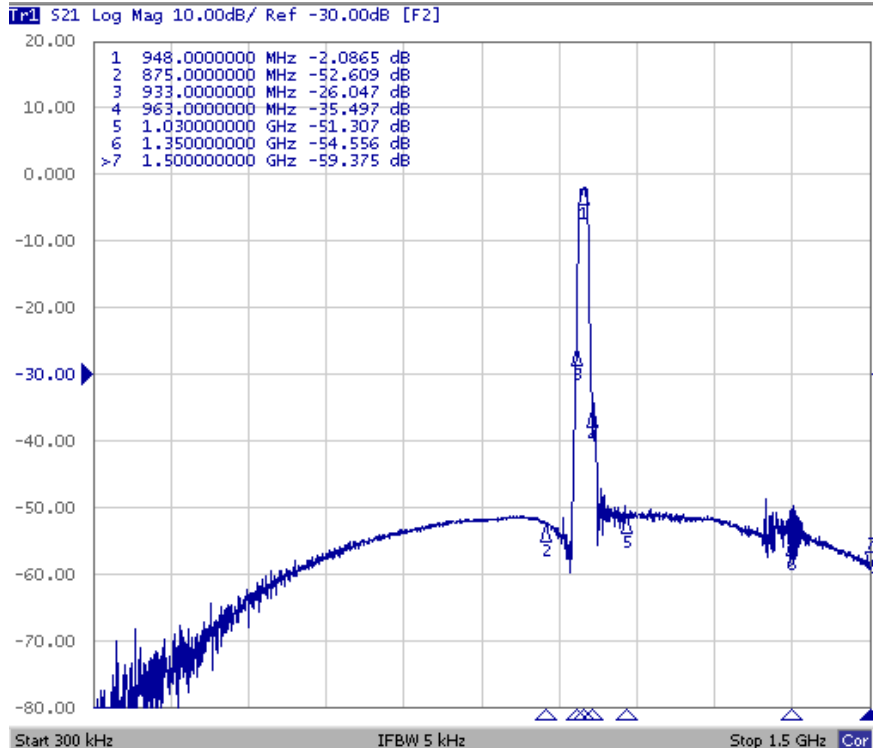
Note: No matching network required for operation at 50Ω

**SAW Filter 948.0MHz**  
**Part No: MP05711**

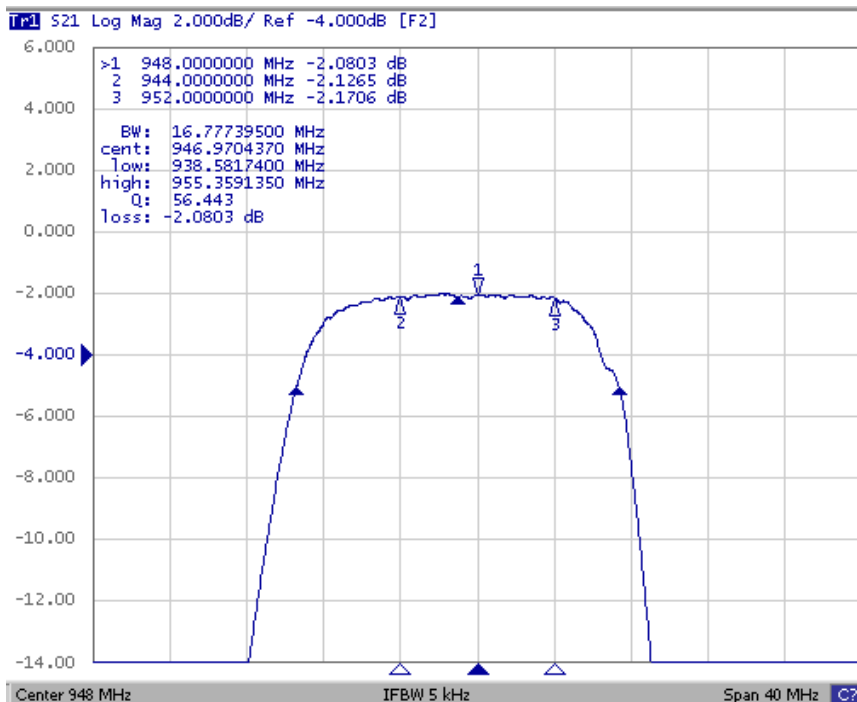
**Model: TA1388A**  
**Rev No: 1**

**C. FREQUENCY CHARACTERISTICS:**

1. Wideband



2. Passband

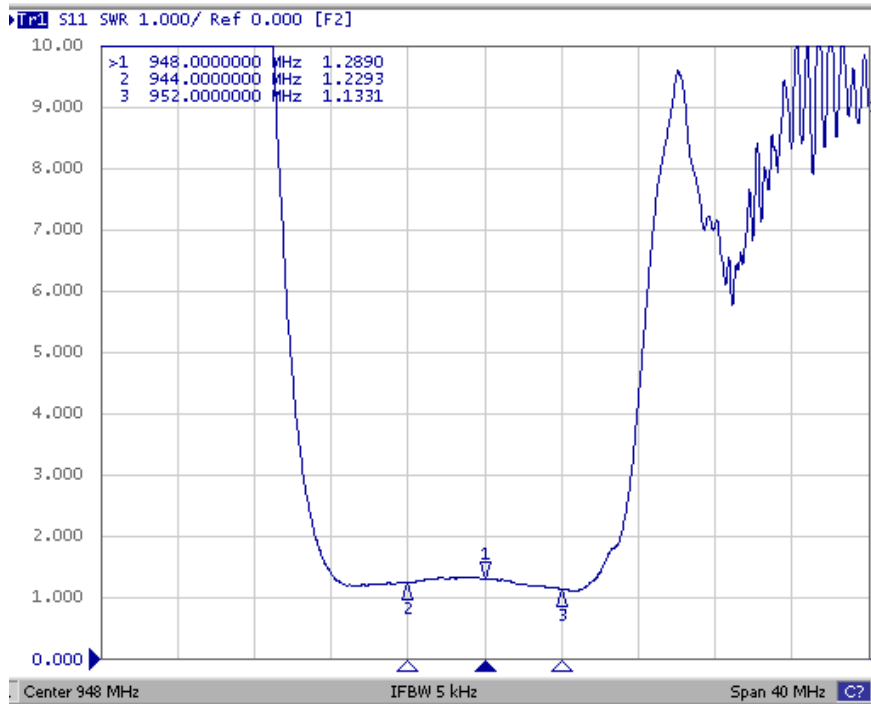


**SAW Filter 948.0MHz**  
**Part No: MP05711**

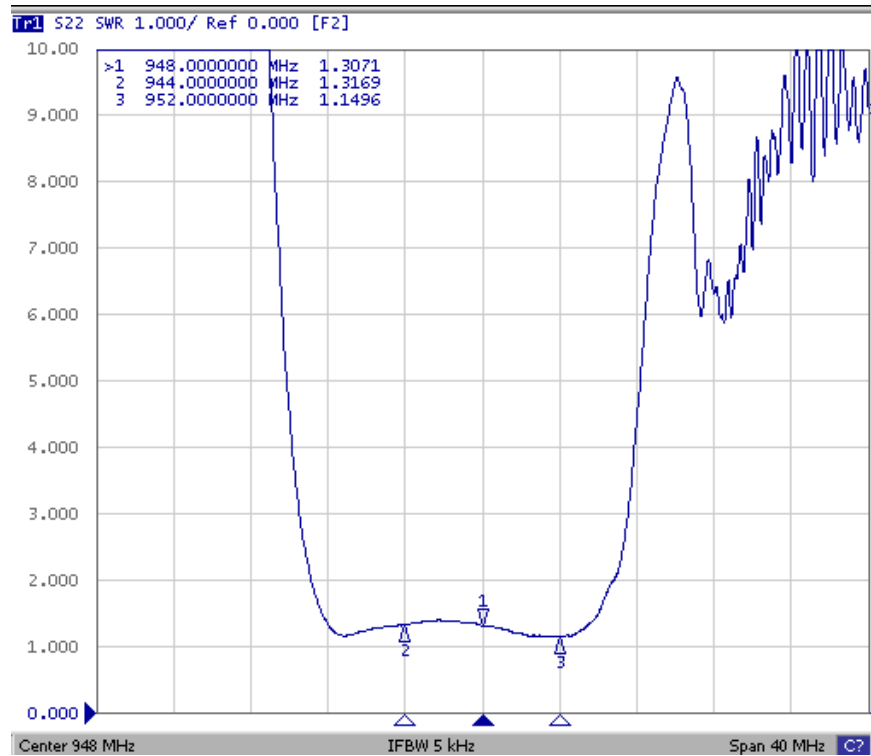
**Model: TA1388A**  
**Rev No: 1**

### 3. VSWR

S11



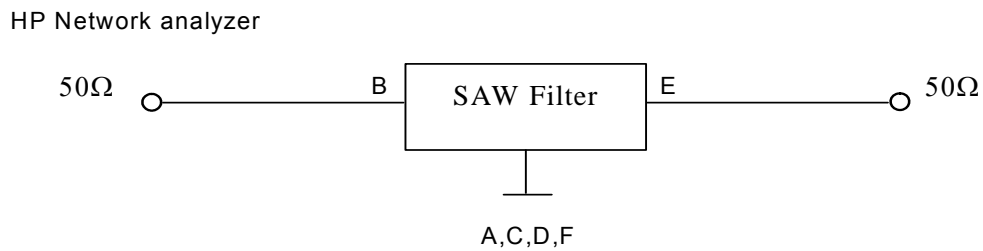
S22



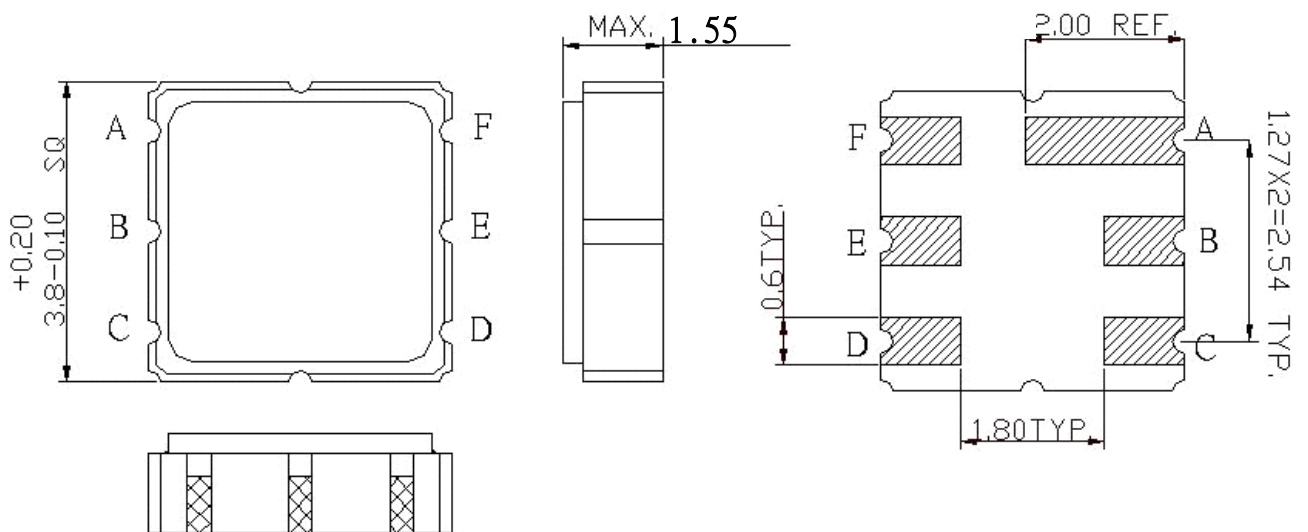
**SAW Filter 948.0MHz**  
**Part No: MP05711**

**Model: TA1388A**  
**Rev No: 1**

**D. MEASUREMENT CIRCUIT:**



**E. OUTLINE DRAWING:**



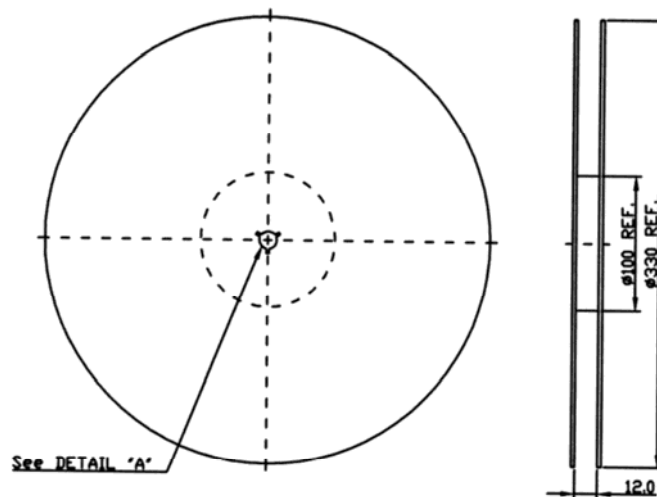
B: Input  
 E: Output  
 A, C, D, F: Ground  
 Unit: mm

**SAW Filter 948.0MHz**  
**Part No: MP05711**

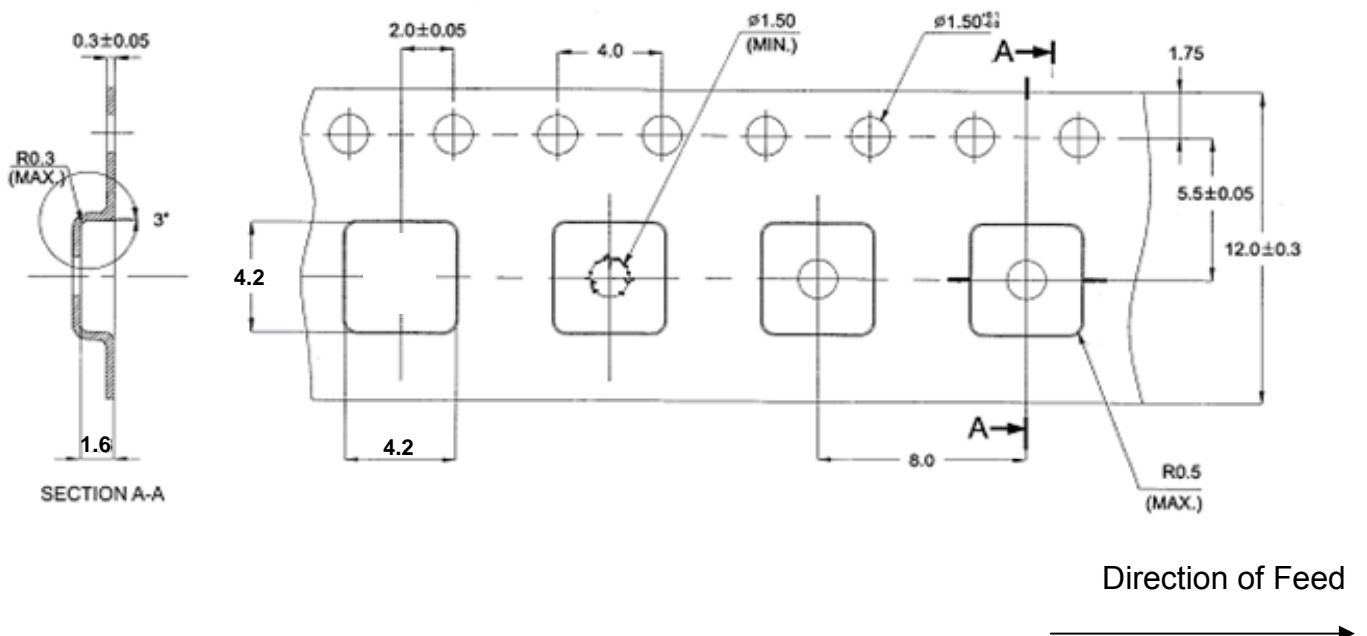
**Model: TA1388A**  
**Rev No: 1**

**F. PACKING:**

1. Reel Dimension



2. Tape Dimension



**SAW Filter 948.0MHz**  
**Part No: MP05711**

**Model: TA1388A**  
**Rev No: 1**

**G. RECOMMENDED REFLOW PROFILE:**

