

**SAW Filter: 1575.42MHz**  
**Part No: MP05506**

**Model: TA1425A**  
**Rev No: 2**

**A. MAXIMUM RATING:**

Electrostatic Sensitive Device (ESD)

1. Input Power Level: 10dBm
2. DC Voltage: 3V
3. Operating Temperature: -40°C to +85°C
4. Storage Temperature: -40°C to +85°C

**B. ELECTRICAL CHARACTERISTICS:**

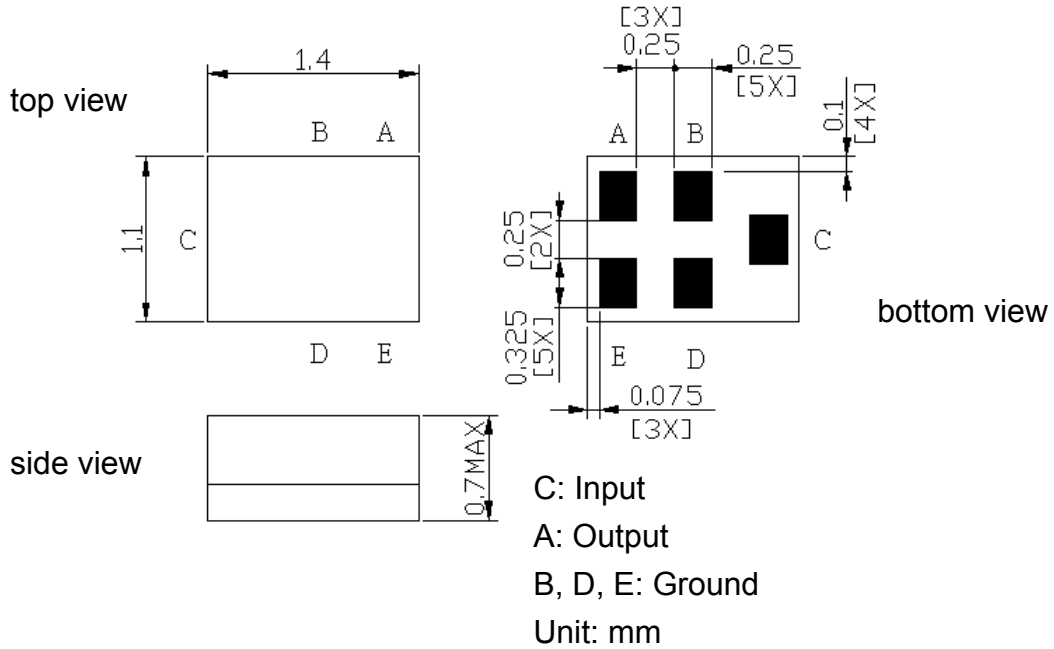
1. Terminating source impedance:  $Z_S = 50\Omega$
2. Terminating load impedance:  $Z_L = 50\Omega$

Item	Unit	Min.	Typ.	Max.	Note
Center Frequency Fc	MHz	-	1575.42	-	-
Max. Insertion Loss (1574.42 ~ 1576.42MHz) IL	dB	-	0.8	1.2	-
Amplitude ripple (1574.42 ~ 1576.42MHz)	dB	-	0.1	0.5	-
VSWR (1574.42 ~ 1576.42MHz)		-	1.1	1.6	-
Attenuation (Reference level from 0dB)					
0.1 ~ 894MHz	dB	16	30	-	-
894 ~ 1500MHz	dB	15	29	-	-
1650 ~ 4000MHz	dB	17	30	-	-
4000 ~ 6000MHz	dB	15	38	-	-
Temperature Coefficient of Frequency	ppm/°C	-	-36	-	-

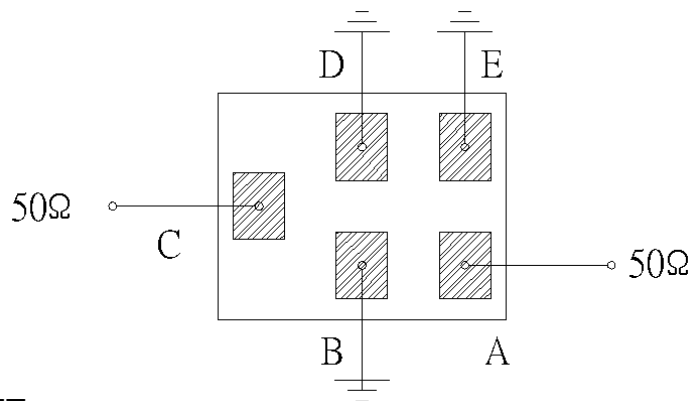
**SAW Filter: 1575.42MHz**  
**Part No: MP05506**

**Model: TA1425A**  
**Rev No: 2**

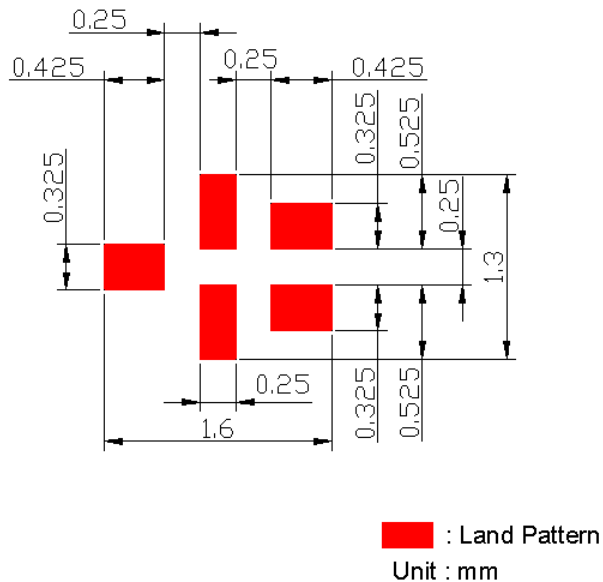
**C. OUTLINE DRAWING:**



**D. MEASUREMENT CIRCUIT:**



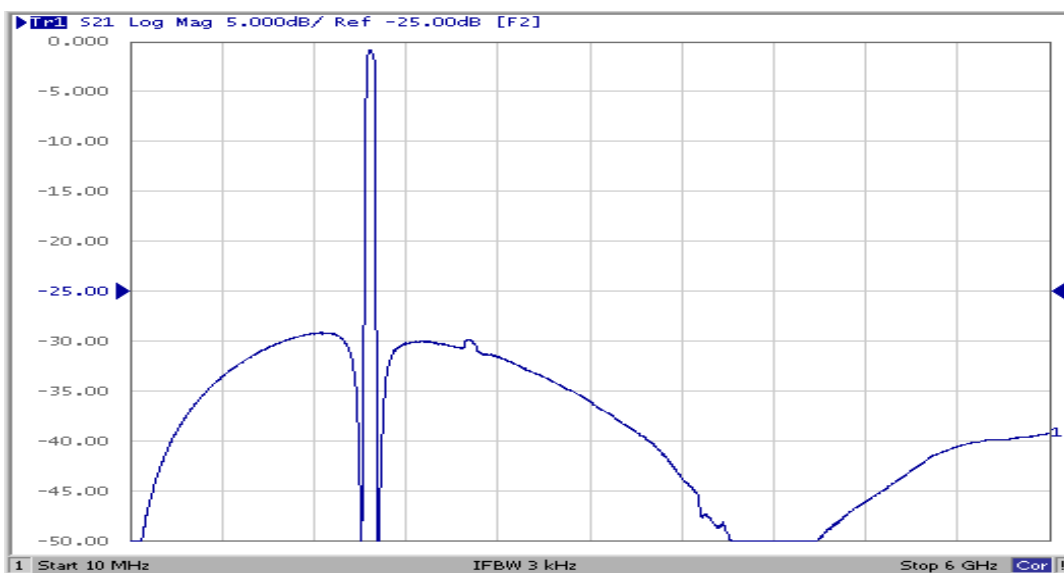
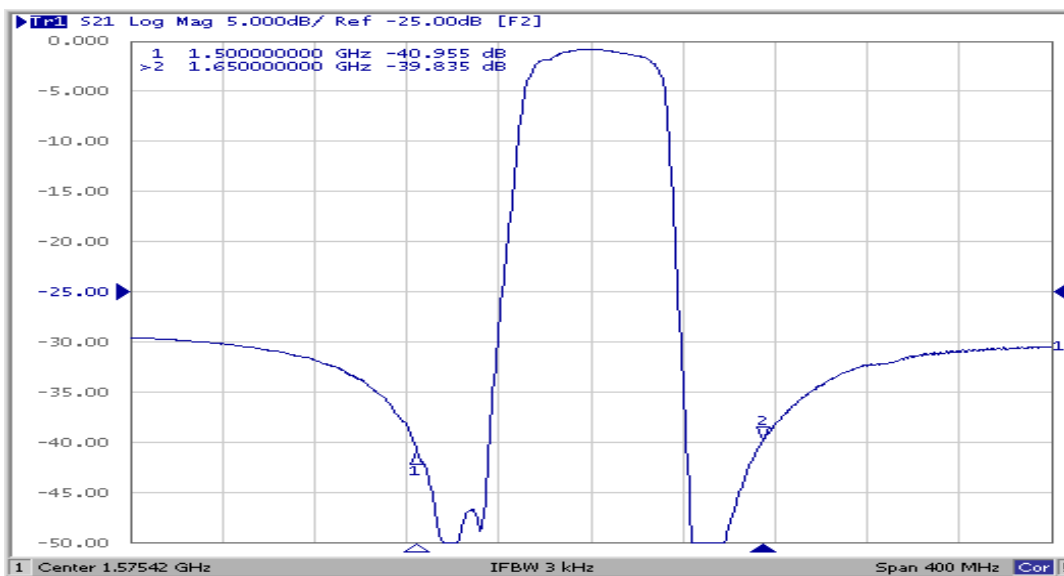
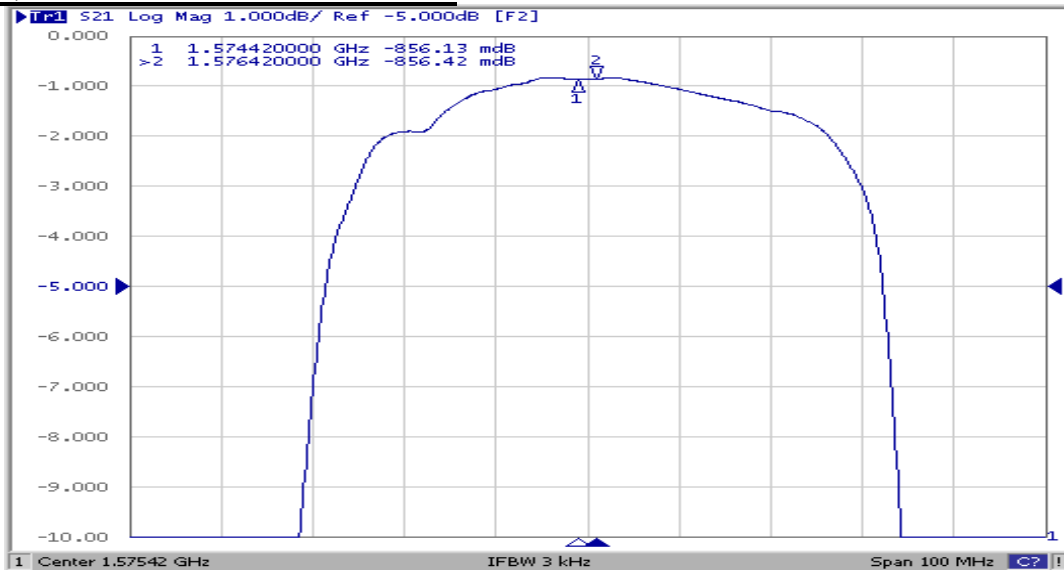
**E. PCB FOOTPRINT:**



**SAW Filter: 1575.42MHz**  
**Part No: MP05506**

**Model: TA1425A**  
**Rev No: 2**

**F. FREQUENCY CHARACTERISTICS:**

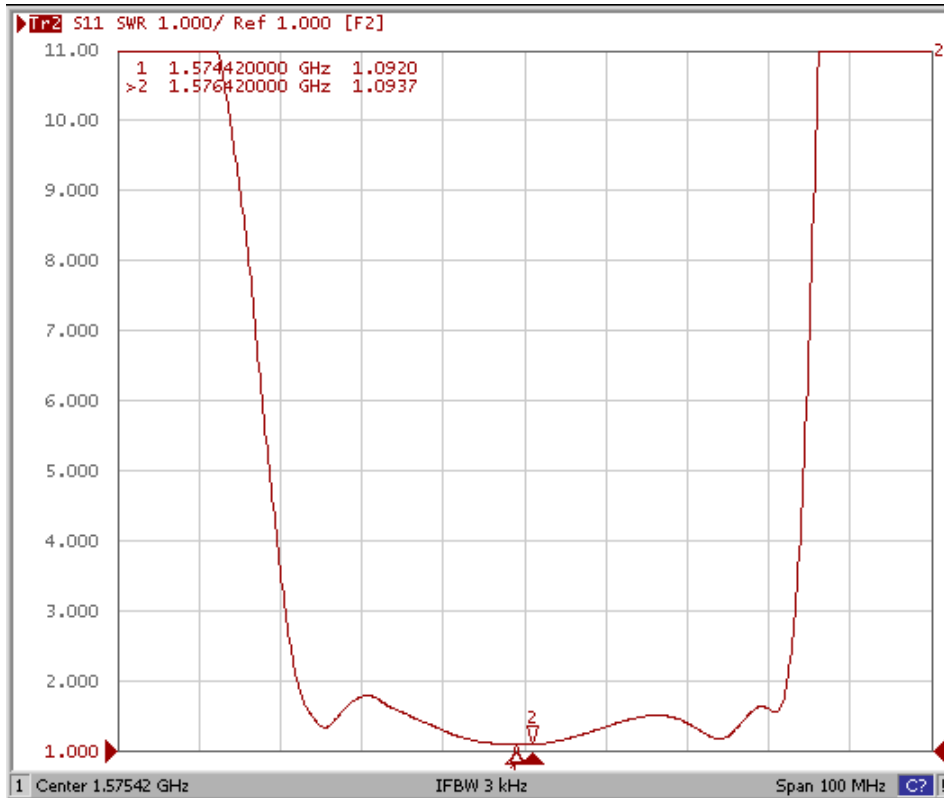


**SAW Filter: 1575.42MHz**  
**Part No: MP05506**

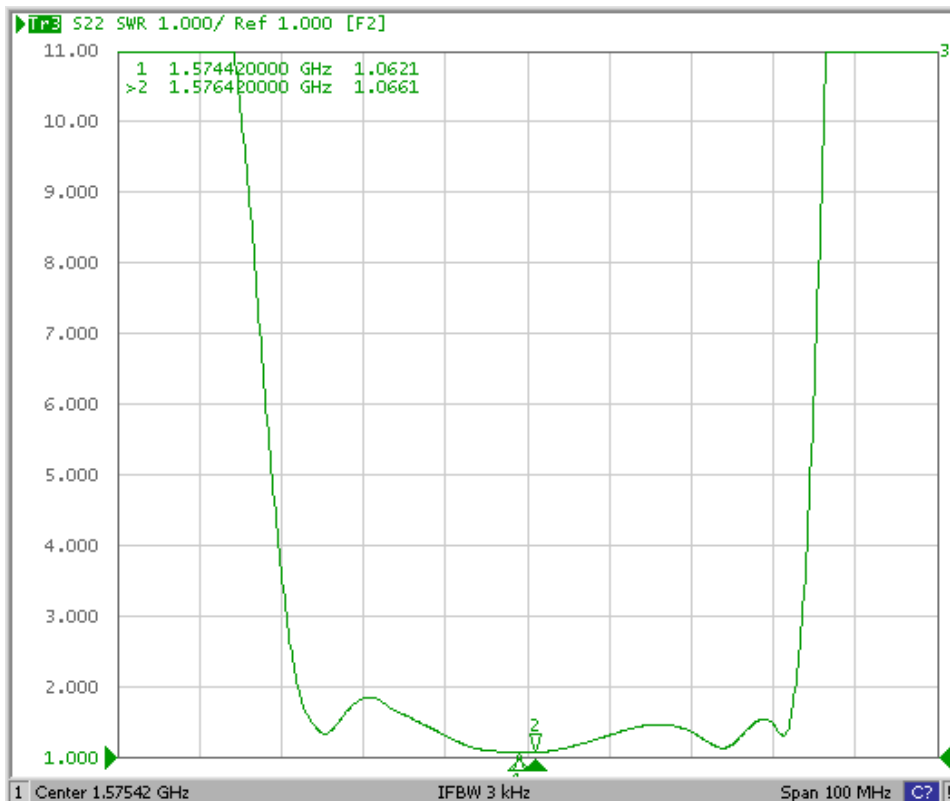
**Model: TA1425A**  
**Rev No: 2**

Reflection Functions

S11



S22

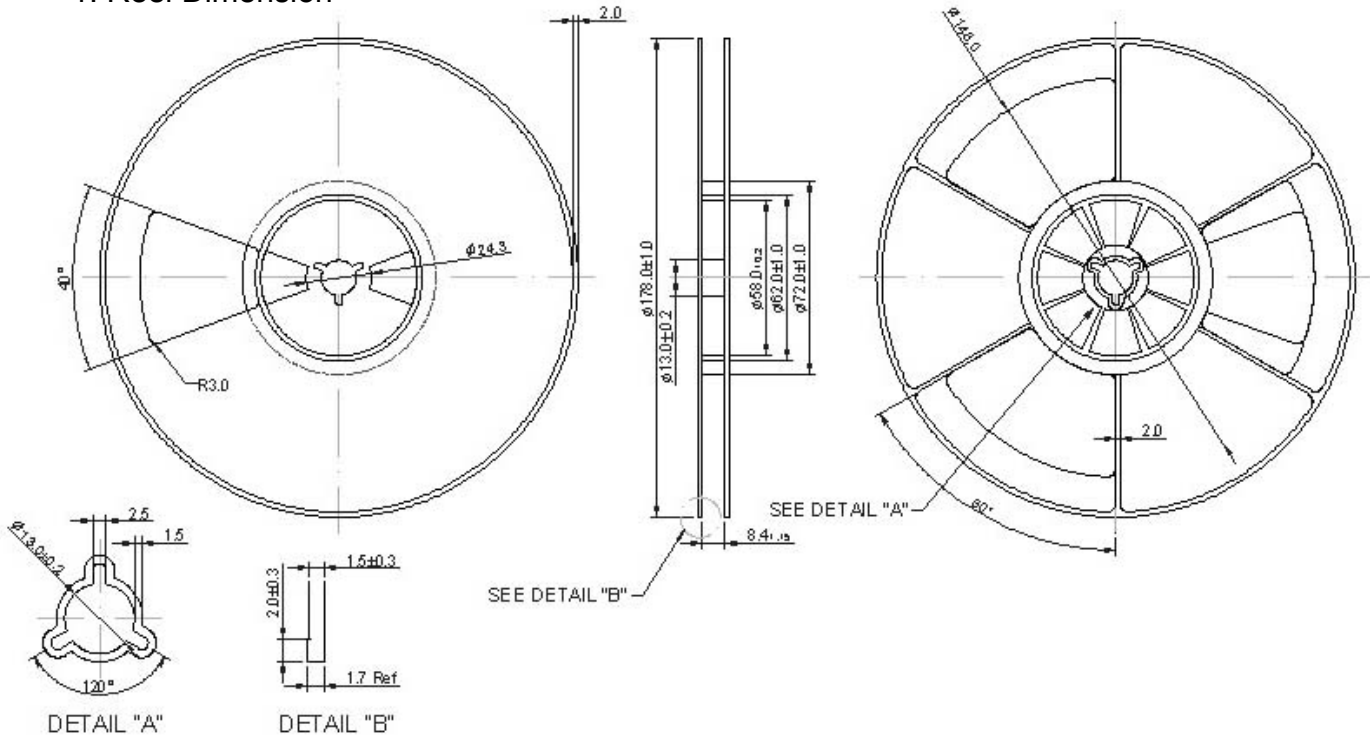


**SAW Filter: 1575.42MHz**  
**Part No: MP05506**

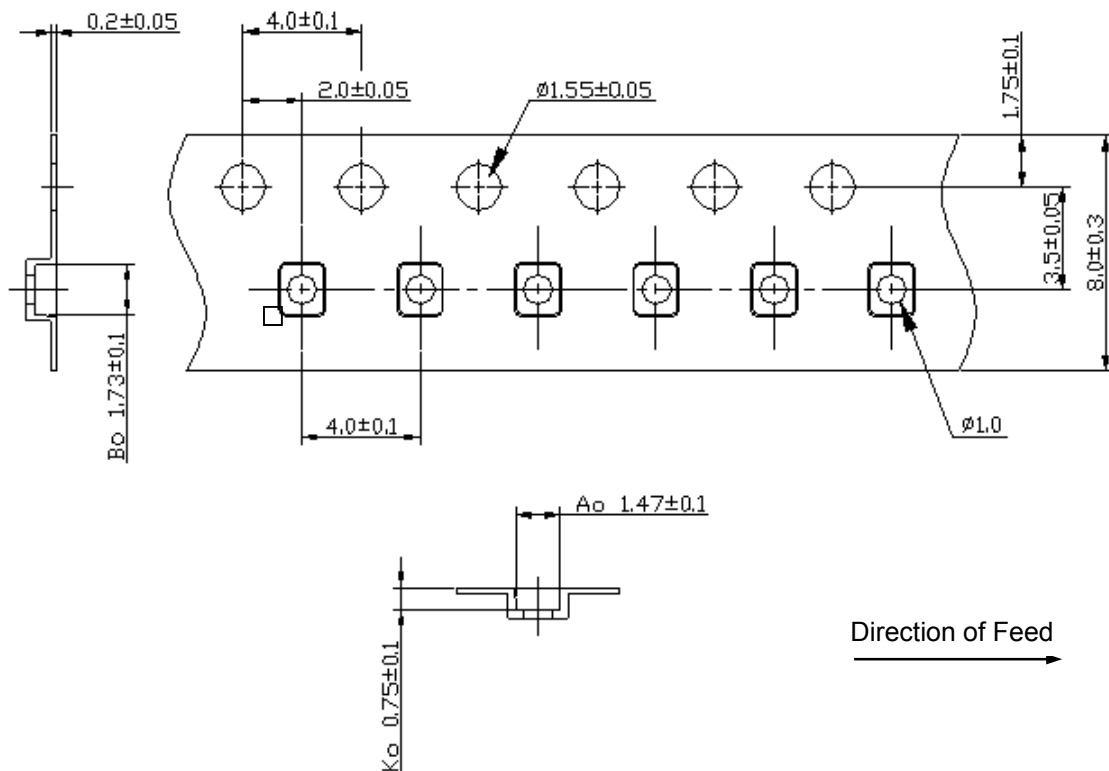
**Model: TA1425A**  
**Rev No: 2**

**G. PACKING:**

**1. Reel Dimension**



**2. Tape Dimension**



**SAW Filter: 1575.42MHz**  
**Part No: MP05506**

**Model: TA1425A**  
**Rev No: 2**

**H. RECOMMENDED REFLOW PROFILE:**

1. Preheating shall be fixed at 150~180°C for 60~90 seconds.
2. Ascending time to preheating temperature 150°C shall be 30 seconds min.
3. Heating shall be fixed at 220°C for 50~80 seconds and at 245~260°C peak (min. 10sec).
4. Time: 2 times.

