

SAW Filter 607.0MHz
Part No: MP05504

Model: TA1446A
Rev No: 1

A. MAXIMUM RATING:

Electrostatic Sensitive Device (ESD)

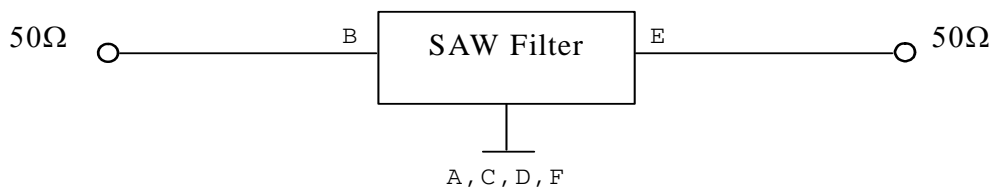
1. Input Power Level: 10dBm
2. DC Voltage: 3V
3. Operating Temperature: -20°C to +60°C
4. Storage Temperature: -40°C to +85°C

B. ELECTRICAL CHARACTERISTICS:

Item	Unit	Min.	Typ.	Max.
Center frequency Fc	MHz	-	607	-
Insertion loss IL (598 ~ 616MHz)	dB	-	1.3	3
Amplitude ripple (598 ~ 616MHz)	dB	-	0.7	1.7
Group Delay, GD (598 ~ 616MHz)	ns	-	48	200
Bandwidth @ -3dB		18	27	-
Attenuation (reference from 0dB)				
0.3 ~ 504MHz	dB	35	60	-
504 ~ 544MHz	dB	10	60	-
640 ~ 670MHz	dB	10	42	-
670 ~ 860MHz	dB	40	55	-
880 ~ 1030MHz	dB	50	55	-
Source impedance Z _S	Ω	-	50	-
Load impedance Z _L	Ω	-	50	-

C. MEASUREMENT CIRCUIT:

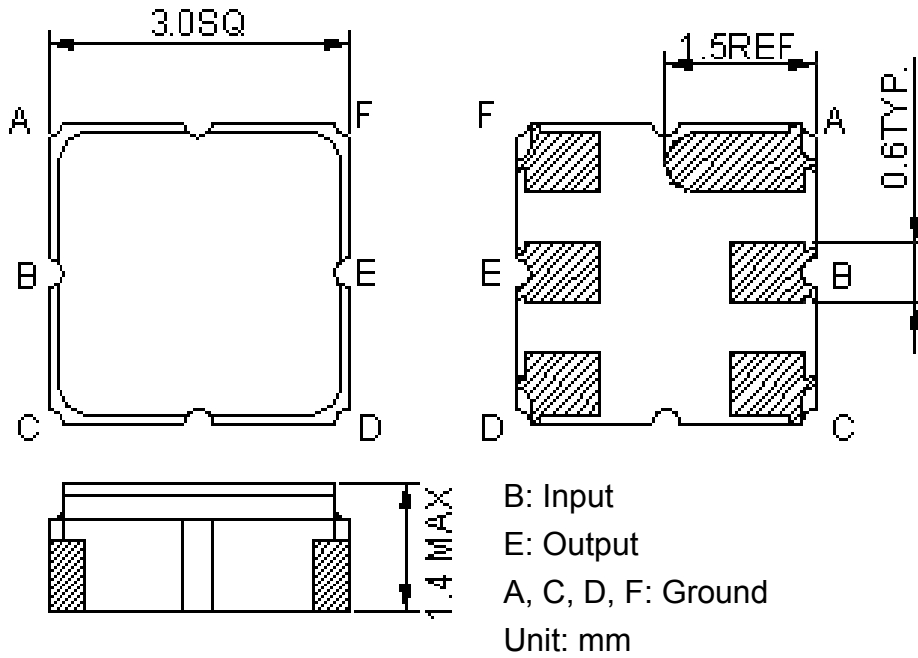
HP Network analyzer



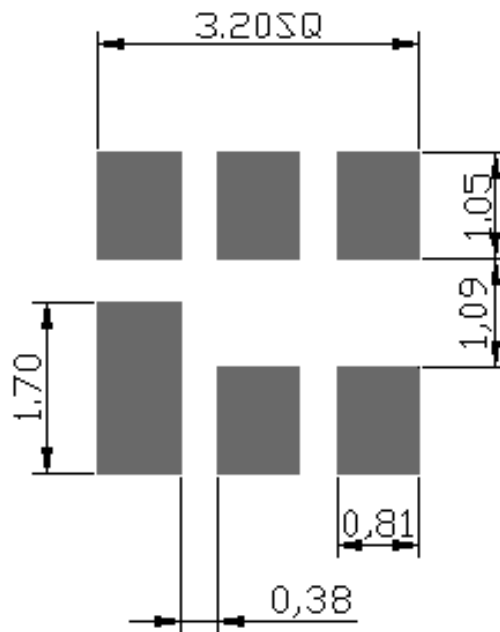
SAW Filter 607.0MHz
Part No: MP05504

Model: TA1446A
Rev No: 1

D. OUTLINE DRAWING:



E. PCB FOOTPRINT:

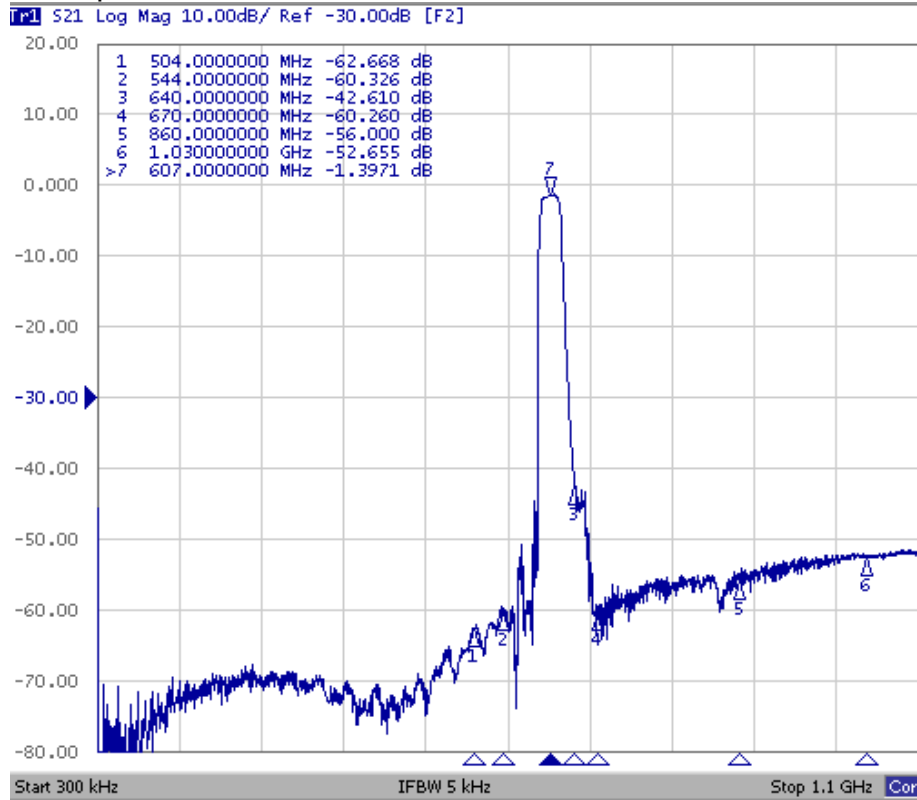


SAW Filter 607.0MHz
Part No: MP05504

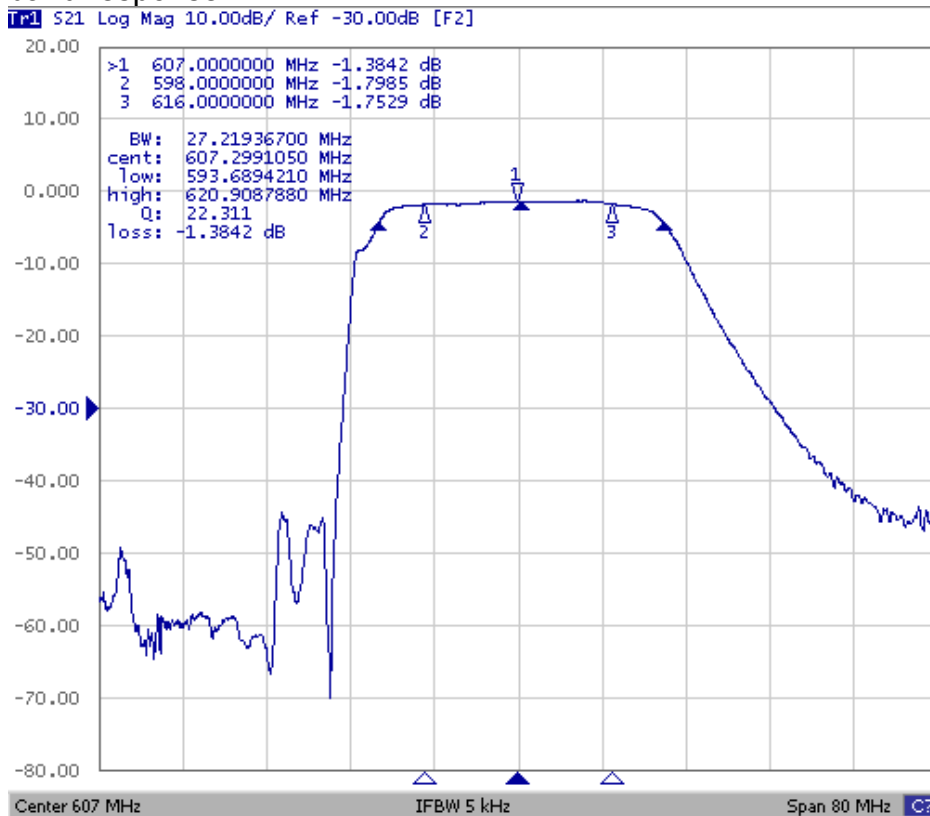
Model: TA1446A
Rev No: 1

F. FREQUENCY CHARACTERISTICS:

1. Wideband response:



2. Narrowband response:



SAW Filter 607.0MHz
Part No: MP05504

Model: TA1446A
Rev No: 1

H. RECOMMENDED REFLOW PROFILE:

