

SAW Filter 1900.0MHz

Model: TA1424A

Part No: MP05354

Rev No: 1

A. MAXIMUM RATING:

1. Input Power Level: 13 dBm
2. DC Voltage : 3V
3. Operating Temperature: -20°C to +75°C
4. Storage Temperature: -40°C to +85°C

B. ELECTRICAL CHARACTERISTICS:

Terminating source impedance (single-ended) : $Z_s = 50\Omega$

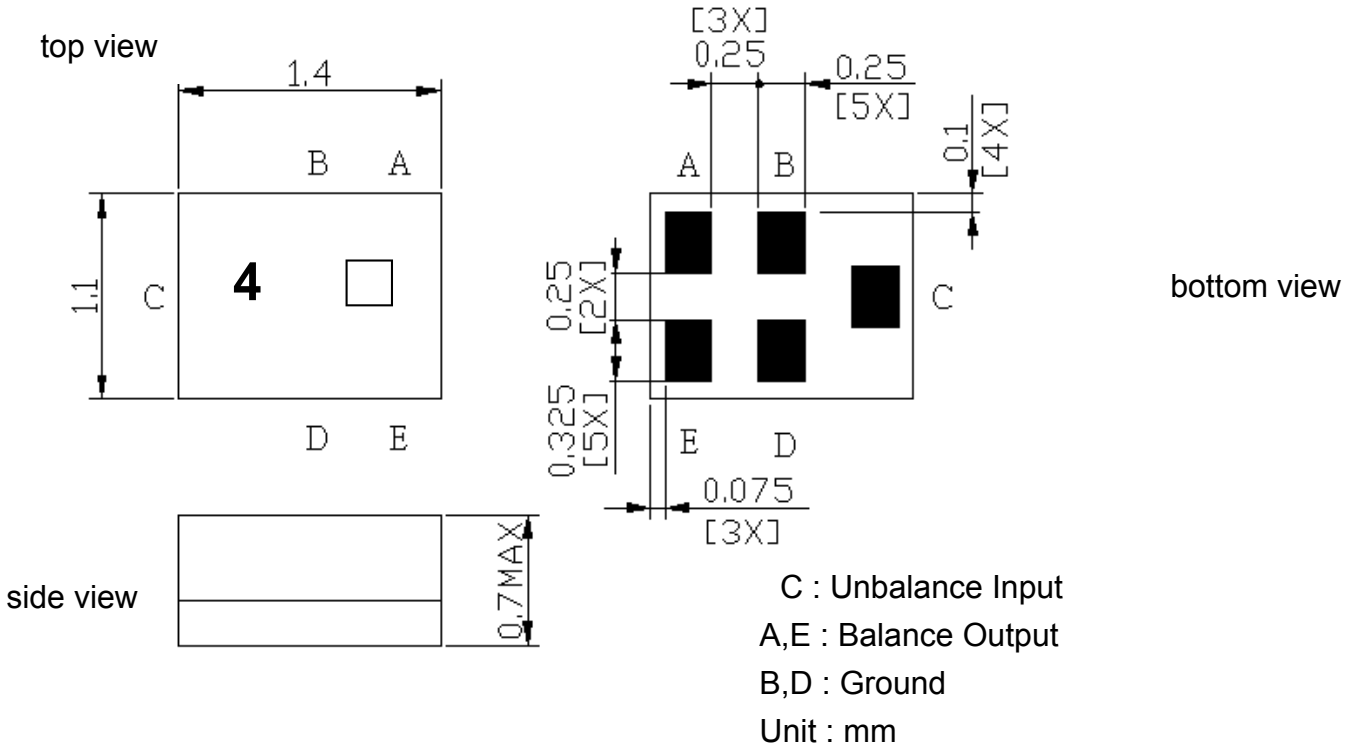
Terminating load impedance (differential) : $Z_L = 200\Omega // 22nH$

Item	Unit	Min.	Typ.	Max.	Note
Center Frequency Fc	MHz	-	1900	-	-
Insertion Loss (1880~1920MHz) IL	dB	-	1.9	3	-
Amplitude ripple (1880~1920 MHz)	dB	-	0.2	1.2	-
Output amplitude balance ($ S_{31}/S_{21} $) (1880~1920 MHz)	dB	-5	-0.3 / 2.3	5	-
Output phase balance ($\Phi(S_{31}) - \Phi(S_{21}) + 180^\circ$) (1880~1920 MHz)	deg	-15	0/6.3	15	-
VSWR (1880~1920 MHz)		-	1.7	2.2	-
Attenuation					
10~1000 MHz	dB	40	42	-	-
1000~1500 MHz	dB	35	40	-	-
1500~1800 MHz	dB	18	34	-	-
1800~1820 MHz	dB	15	33	-	-
1820~1840 MHz	dB	10	28	-	-
1970~2000 MHz	dB	15	21	-	-
2000~2500 MHz	dB	20	26	-	-
2500~3000 MHz	dB	25	40	-	-
3000~4500 MHz	dB	40	52	-	-
4500~6000 MHz	dB	25	44	-	-
Temperature Coefficient of Frequency	ppm/°C	-	-36	-	-

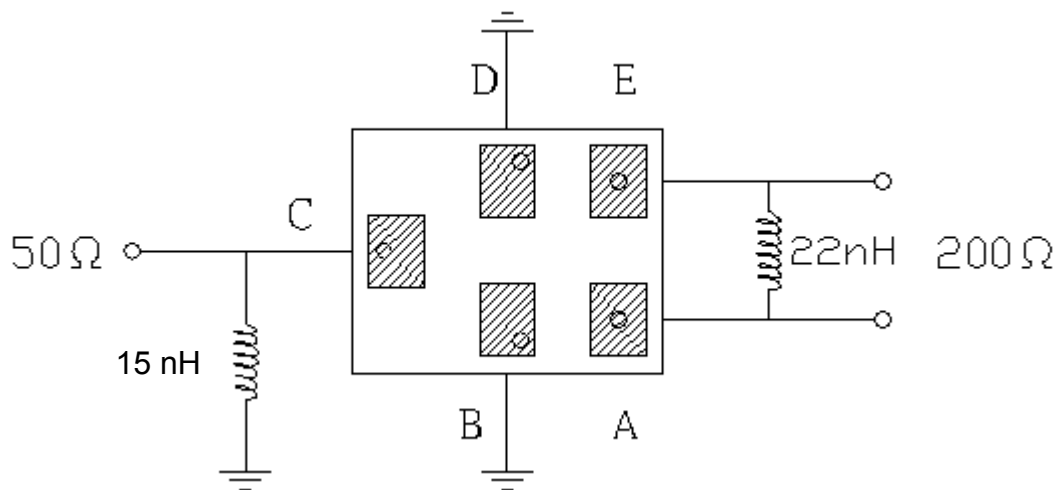
SAW Filter 1900.0MHz
Part No: MP05354

Model: TA1424A
Rev No: 1

C. OUTLINE DRAWING:



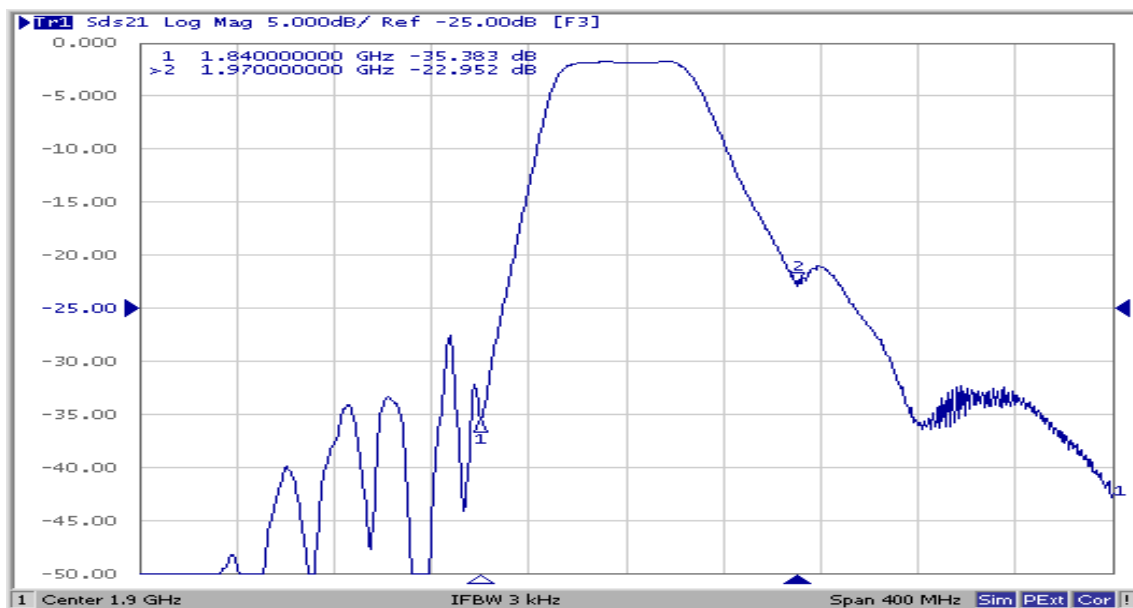
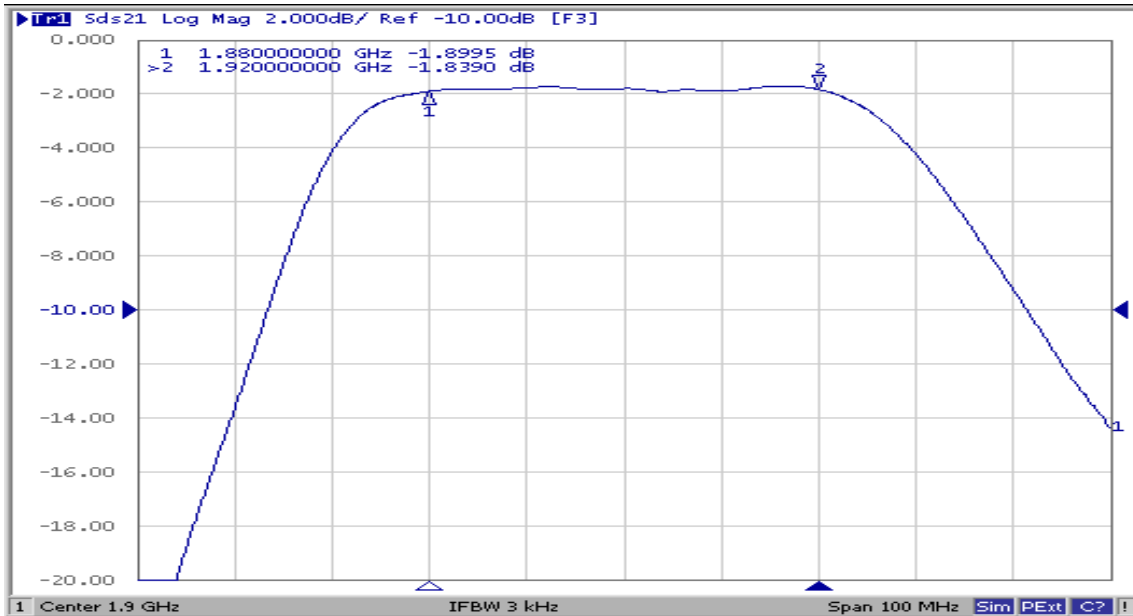
D. MEASUREMENT CIRCUIT:



SAW Filter 1900.0MHz
Part No: MP05354

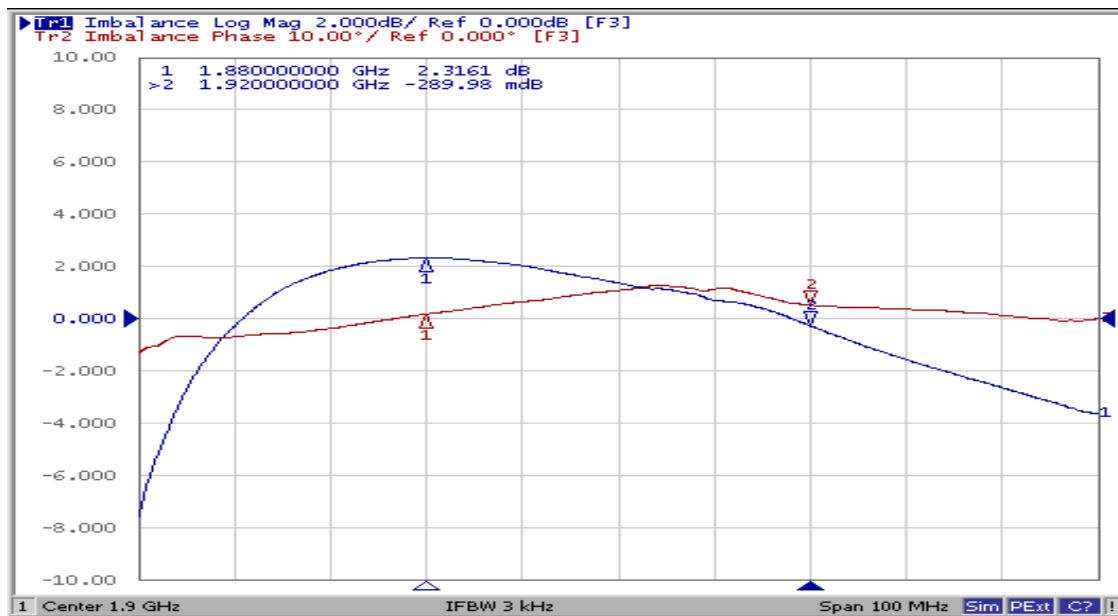
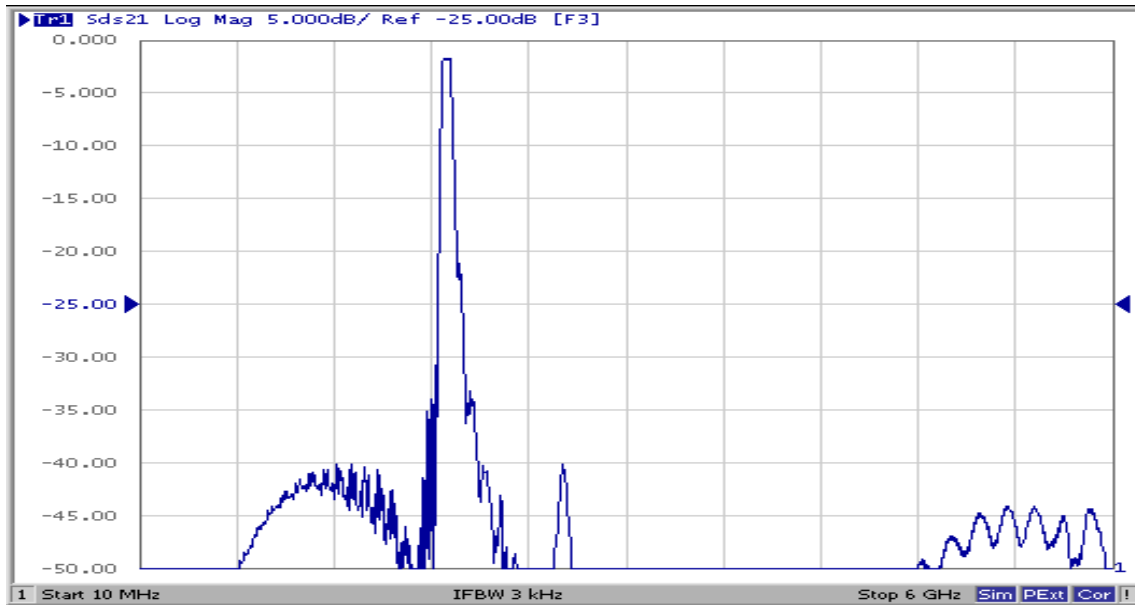
Model: TA1424A
Rev No: 1

E. FREQUENCY CHARACTERISTICS:



SAW Filter 1900.0MHz
Part No: MP05354

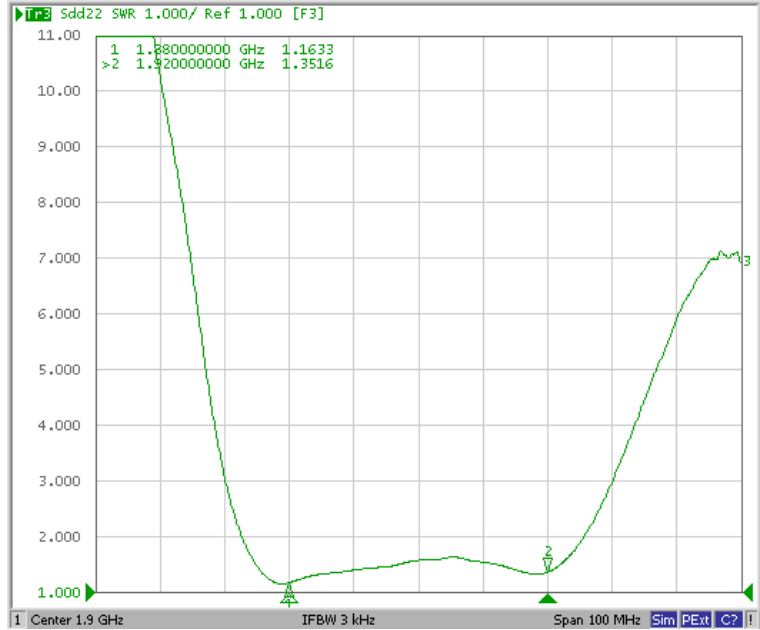
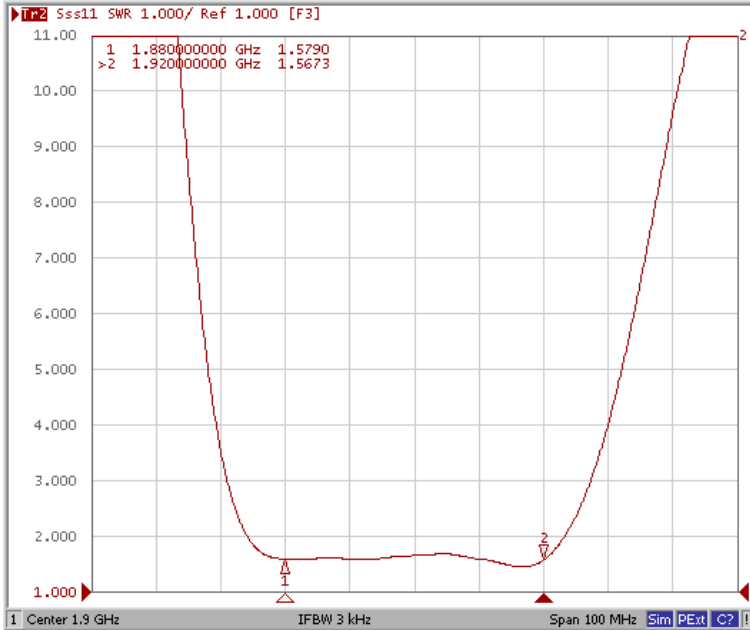
Model: TA1424A
Rev No: 1



SAW Filter 1900.0MHz
Part No: MP05354

Model: TA1424A
Rev No: 1

Reflection Functions:



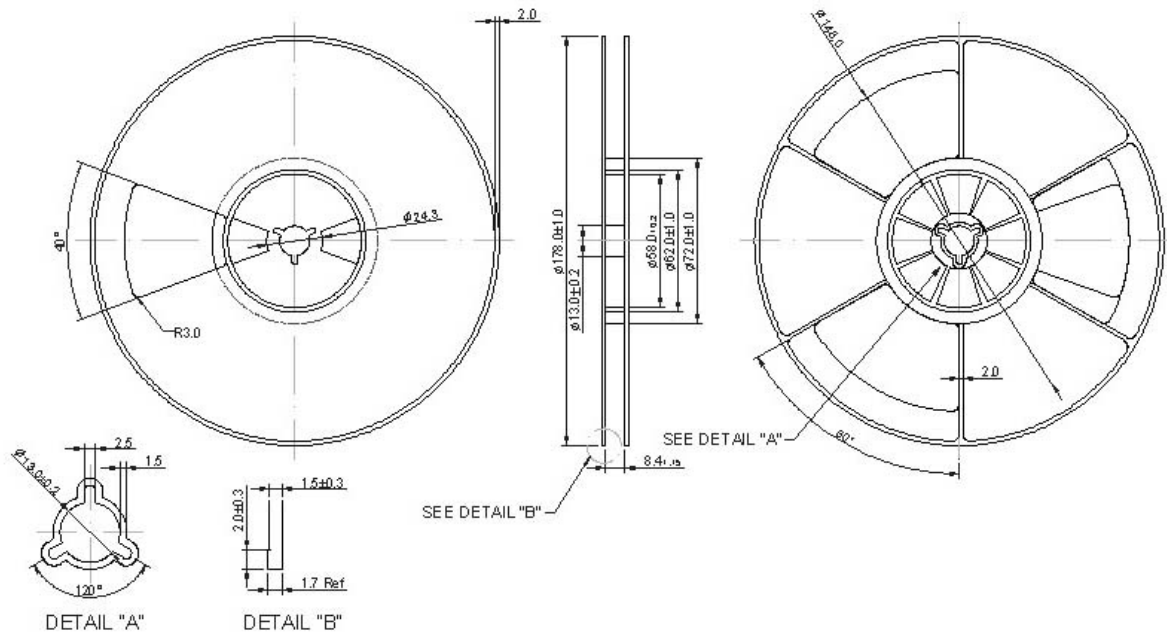
SAW Filter 1900.0MHz
Part No: MP05354

Model: TA1424A
Rev No: 1

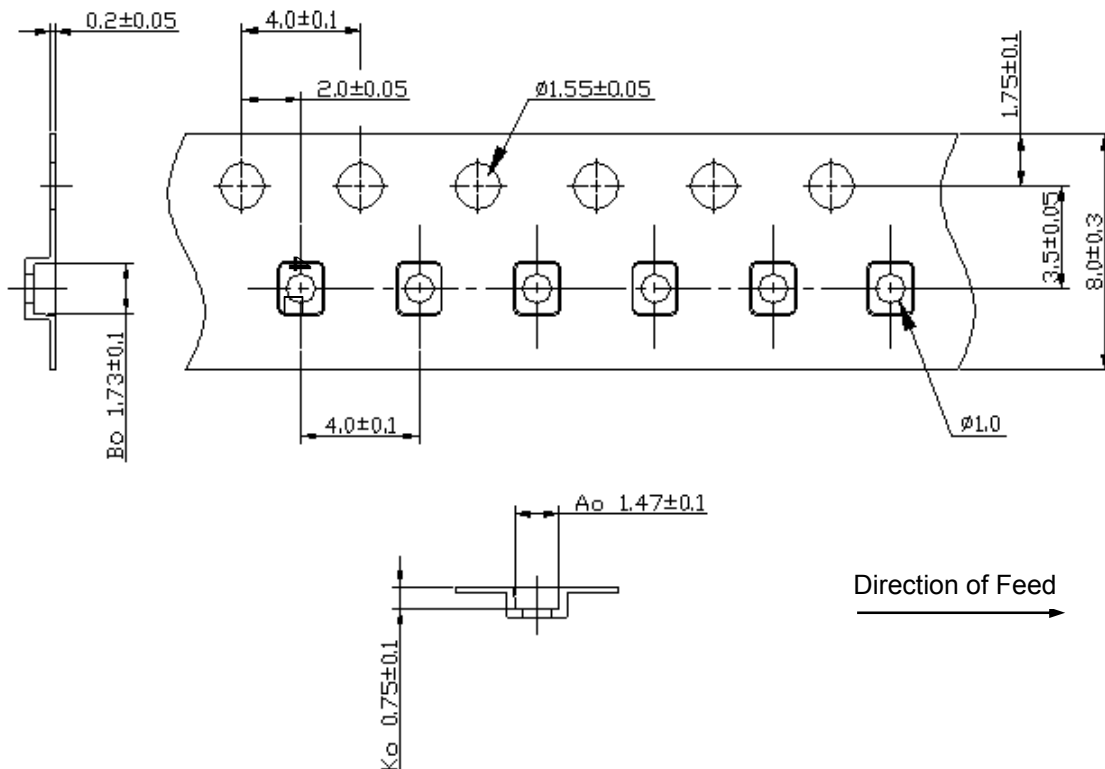
F. PACKING:

1. REEL DIMENSION

(Reel Count : 7"=2000 ; 13"=10000)



2. TAPE DIMENSION



SAW Filter 1900.0MHz
Part No: MP05354

Model: TA1424A
Rev No: 1

G. RECOMMENDED REFLOW PROFILE :

1. Preheating shall be fixed at 150~180°C for 60~90 seconds.
2. Ascending time to preheating temperature 150°C shall be 30 seconds min.
3. Heating shall be fixed at 220°C for 50~80 seconds and at 245~260°C peak (min. 10sec).
4. Time : 2 times.

