

SAW Filter 1586.0MHz
Part No: MP05267

Model: TA1586BB
Rev No: 1

A. MAXIMUM RATING:

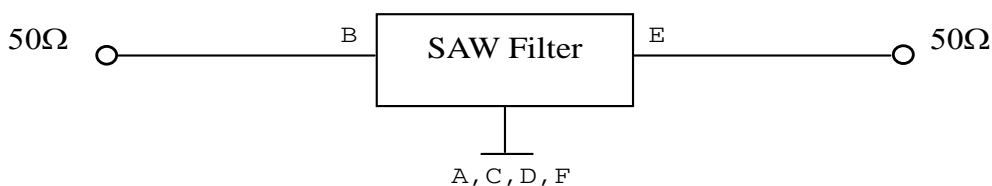
1. Input Power Level: 20dBm
2. DC Voltage: 3V
3. Operating Temperature: -20°C to +70°C
4. Storage Temperature: -40°C to +85°C

B. ELECTRICAL CHARACTERISTICS:

Item	Unit	Min.	Typ.	Max.
Center frequency F_c	MHz	-	1586	-
Insertion loss IL (1565 ~ 1607MHz)	dB	-	1.2	3.8
Amplitude ripple (1565 ~ 1607 MHz)	dB	-	0.9	2.5
VSWR (1565 ~ 1607MHz)		-	1.8	2.3
Attenuation (Reference level from 0dB)				
DC ~ 600MHz	dB	30	38	-
600 ~ 1500MHz	dB	27	37	-
1500 ~ 1530MHz	dB	20	38	-
1630 ~ 1675MHz	dB	20	41	-
1675 ~ 3000MHz	dB	30	31	-
Source impedance Z_s	Ω	-	50	-
Load impedance Z_L	Ω	-	50	-

C. MEASUREMENT CIRCUIT:

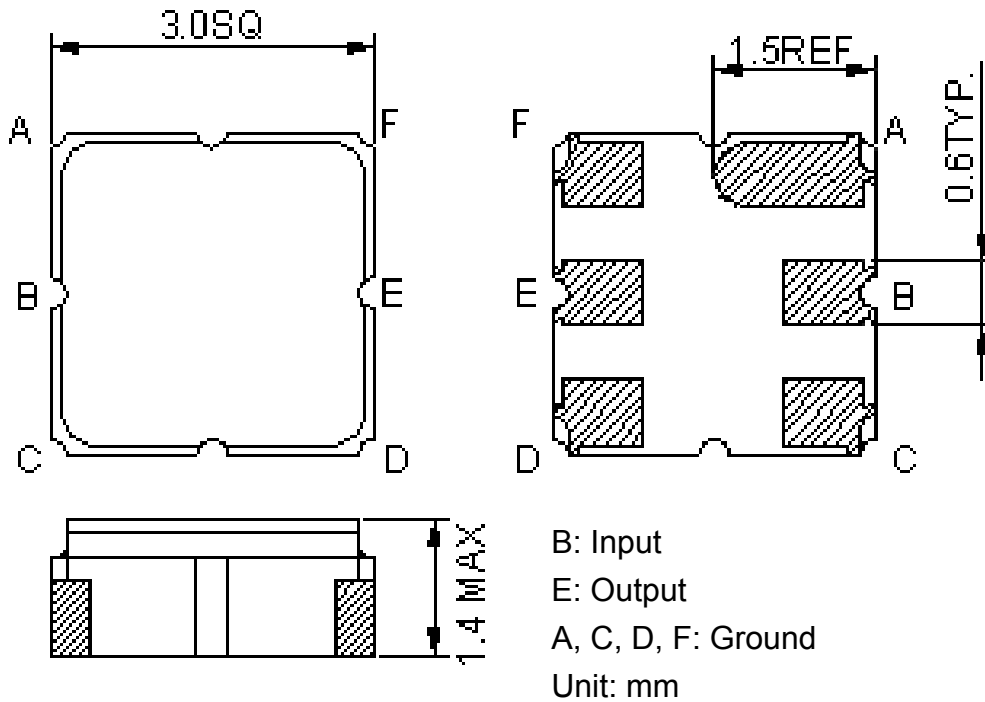
HP Network analyzer



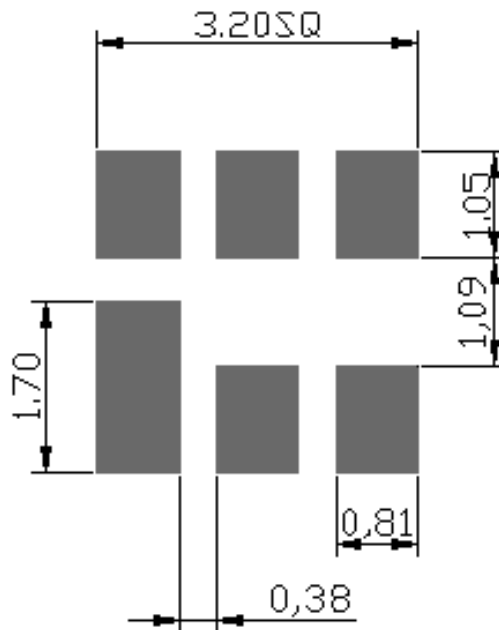
SAW Filter 1586.0MHz
Part No: MP05267

Model: TA1586BB
Rev No: 1

D. OUTLINE DRAWING:



E. PCB FOOTPRINT:

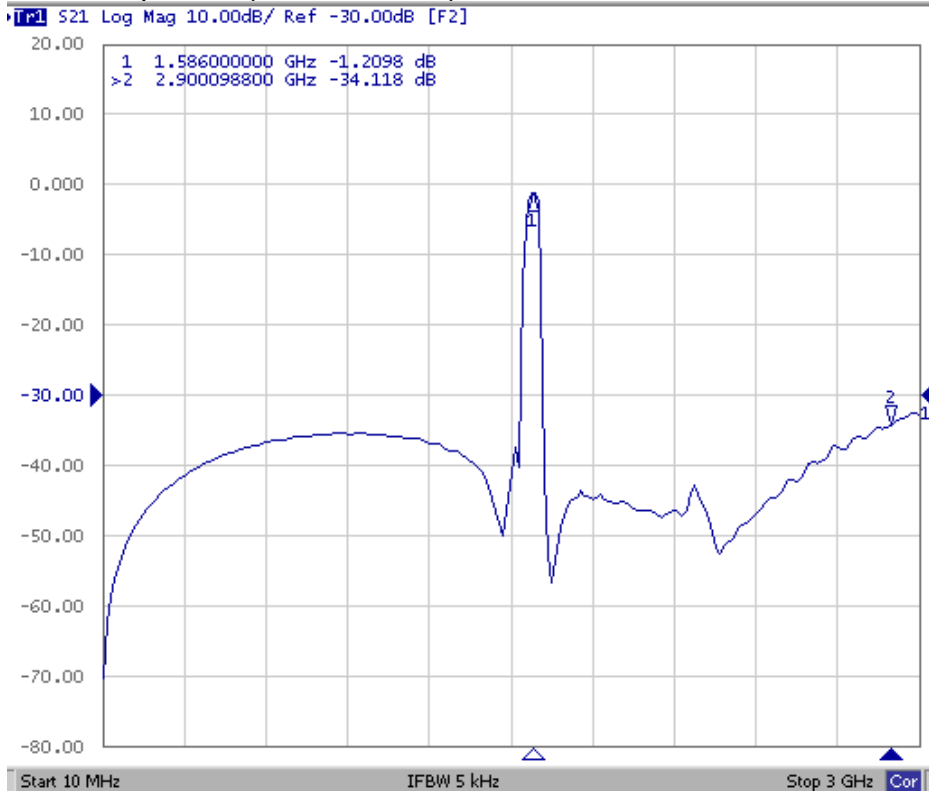


SAW Filter 1586.0MHz
Part No: MP05267

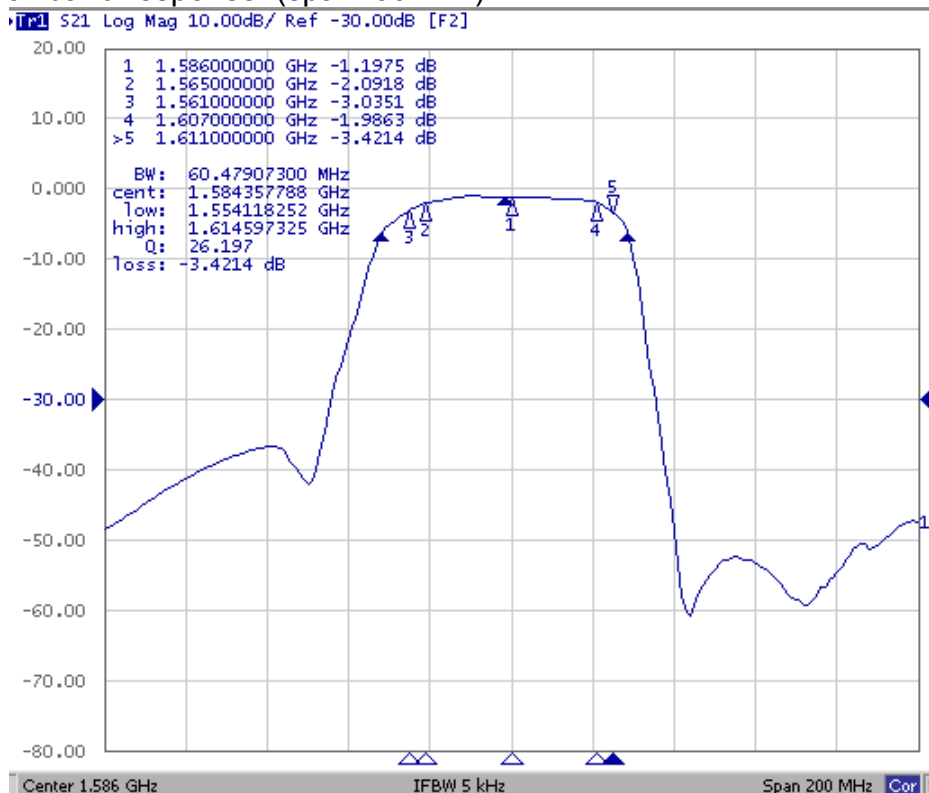
Model: TA1586BB
Rev No: 1

F. FREQUENCY CHARACTERISTICS:

1. Wideband response: (1 ~ 3000MHz)



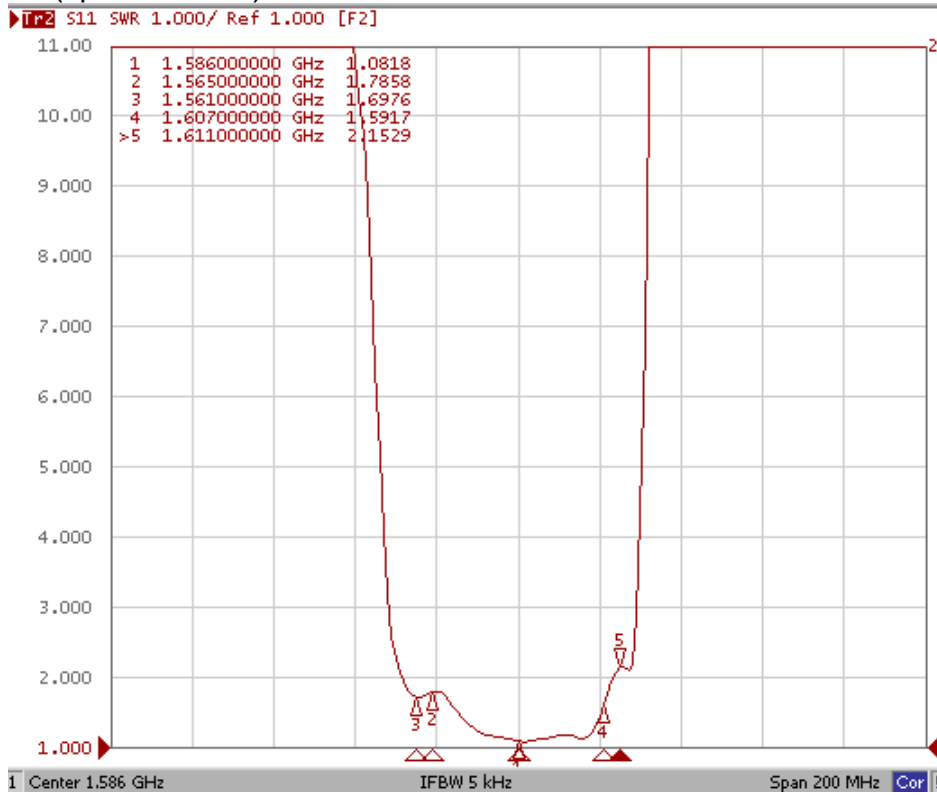
2. Narrowband response: (span200MHz)



SAW Filter 1586.0MHz
Part No: MP05267

Model: TA1586BB
Rev No: 1

3. VSWR (span200MHz)



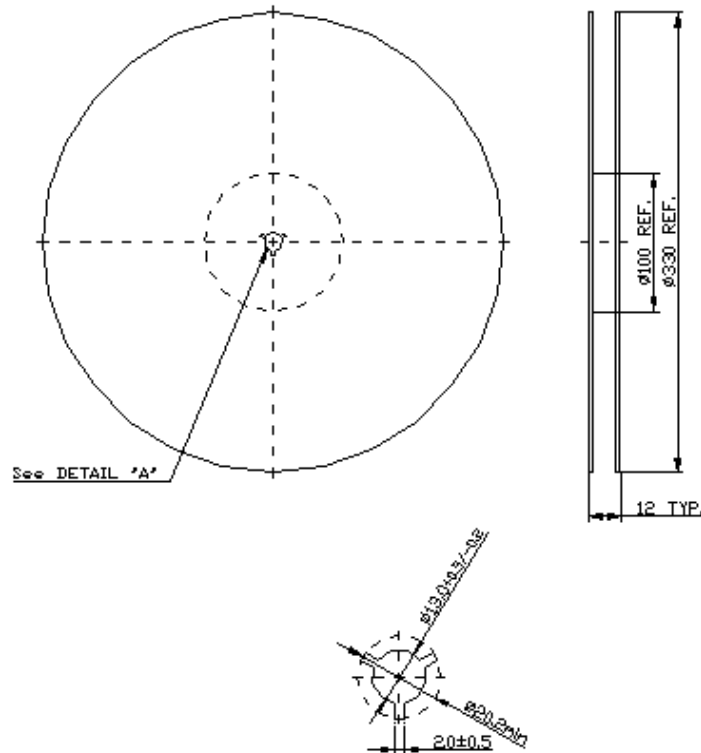
SAW Filter 1586.0MHz
Part No: MP05267

Model: TA1586BB
Rev No: 1

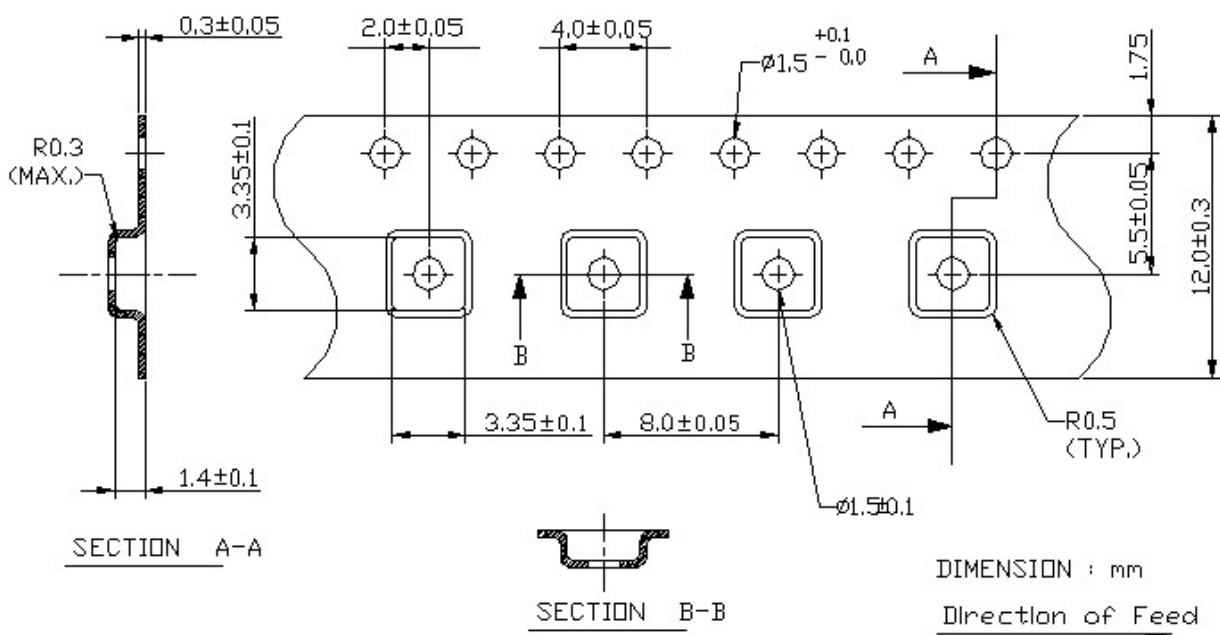
G. PACKING:

1. Reel Dimension

(Reel Count: 7" = 1000; 13" = 3000)



2. Tape Dimension



SAW Filter 1586.0MHz
Part No: MP05267

Model: TA1586BB
Rev No: 1

H. RECOMMENDED REFLOW PROFILE:

