

**SAW Duplexer 836.50 - 881.50MHz**

**Model: TF0035A**

**Part No: MP05244**

**Rev No: 4**

**A. MAXIMUM RATING:**

Electrostatic Sensitive Device (ESD)

1. Input Power Level: 1.2W > 50000 Hours, CW tone (Ta = +50°C)
2. DC Voltage: 10V
3. Operating Temperature: -30°C to +85°C
4. Storage Temperature: -40°C to +85°C

**B. ELECTRICAL CHARACTERISTICS:**

1. (Tx \_ 836.5MHz)

Item	Unit	Min.	Typ.	Max.	Note
Center Frequency Fc	MHz	-	836.5	-	-
Insertion Loss (824 ~ 849MHz) IL	dB	-	1.5	2.2	-
Amplitude Ripple (824 ~ 849MHz)	dB	-	0.4	1.0	-
VSWR (824 ~ 849MHz)		-	1.9	2.4	-
Absolute Attenuation					
859MHz	dB	4	9	-	-
869 ~ 894MHz	dB	45	50	-	-

2. (Rx \_ 881.5MHz)

Item	Unit	Min.	Typ.	Max.	Note
Center Frequency Fc	MHz	-	881.5	-	-
Insertion Loss (869 ~ 894MHz) IL	dB	-	2.0	3.0	-
Amplitude Ripple (869 ~ 894MHz)	dB	-	0.8	1.5	-
VSWR (869 ~ 894MHz)		-	1.7	2.2	-
Absolute Attenuation					
824 ~ 849MHz	dB	50	58	-	-
859MHz	dB	4	13	-	-

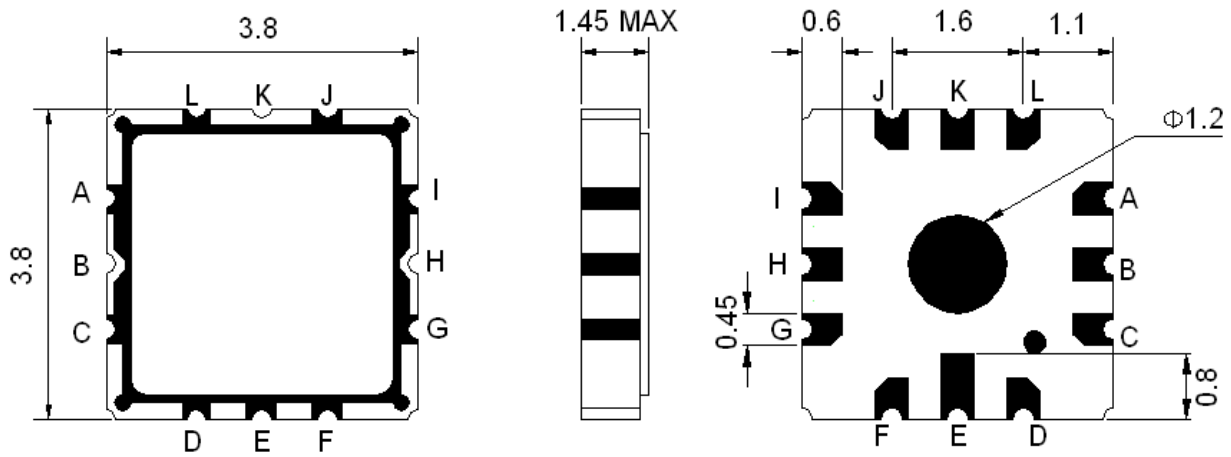
3. (Rx -> Tx)

Item	Unit	Min.	Typ.	Max.	Note
Isolation (824~849 MHz)	dB	50	55	-	-
Isolation (869~894 MHz)	dB	48	53	-	-

**SAW Duplexer 836.50 - 881.50MHz**  
**Part No: MP05244**

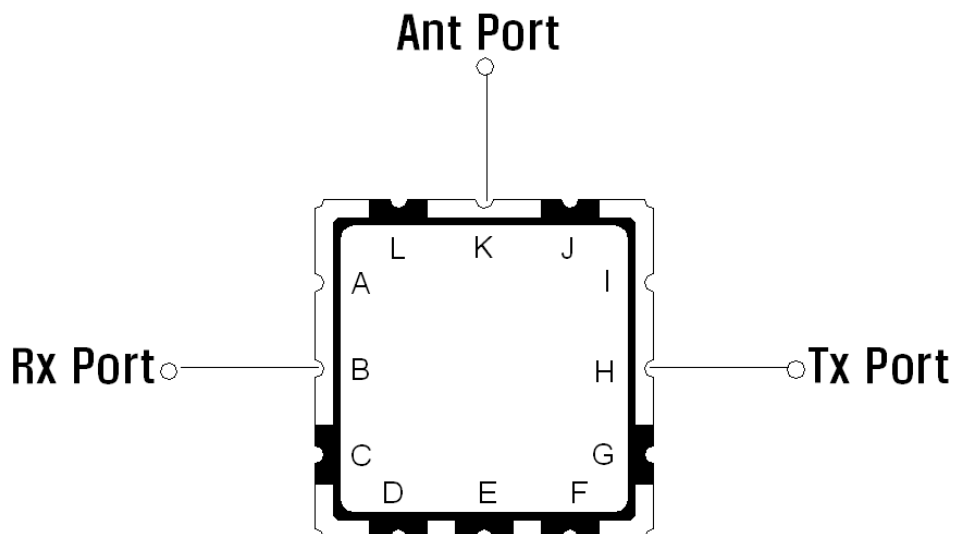
**Model: TF0035A**  
**Rev No: 4**

**C. OUTLINE DRAWING:**



Pin Description	
A, C, D, E, F, G, I, J, L	Ground
B	Rx Port (881.5MHz)
K	Antenna
H	Tx Port (836.5MHz)

**D. MEASUREMENT CIRCUIT:**

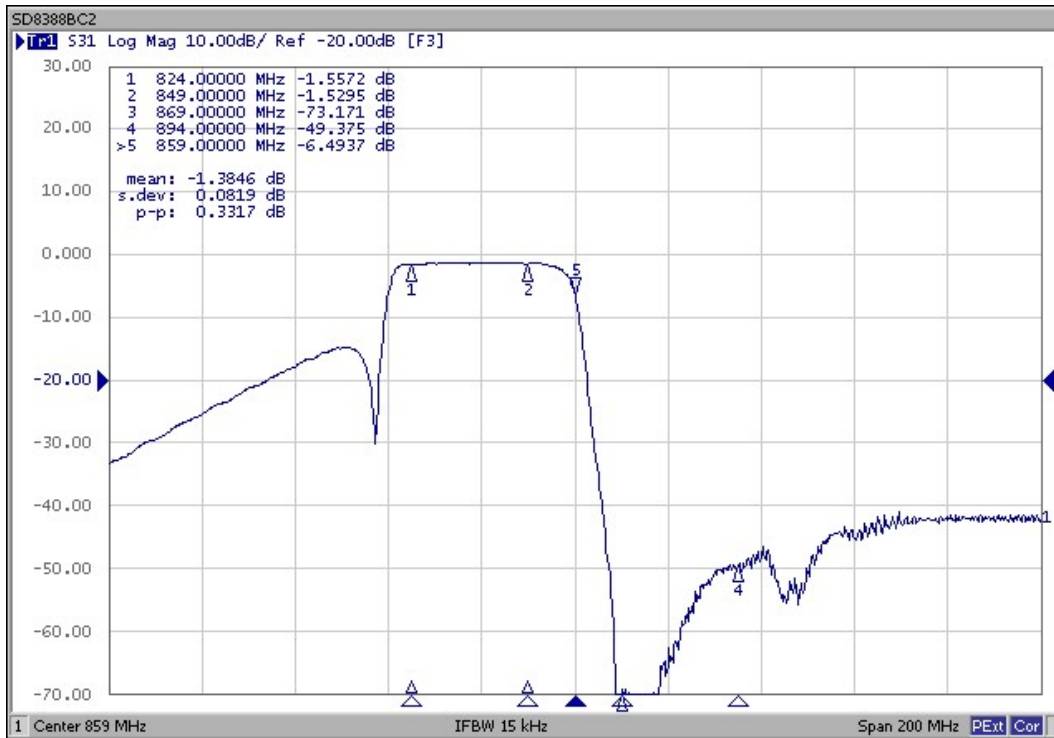


**SAW Duplexer 836.50 - 881.50MHz**  
**Part No: MP05244**

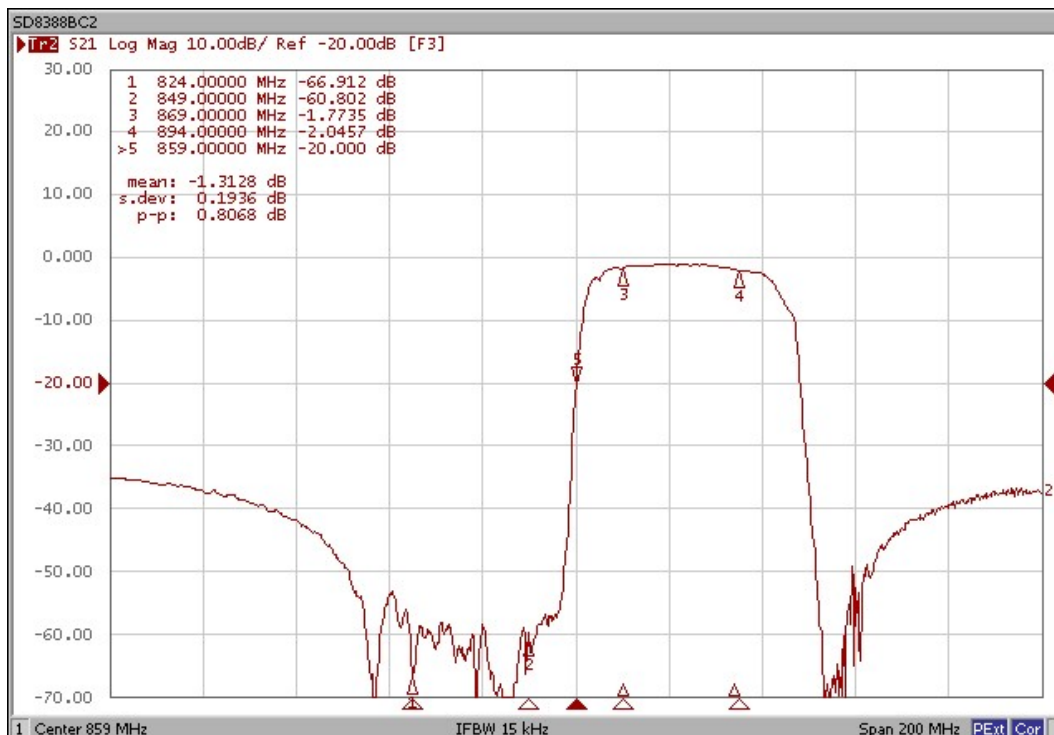
**Model: TF0035A**  
**Rev No: 4**

**E. FREQUENCY CHARACTERISTICS:**

1. Tx Characteristic



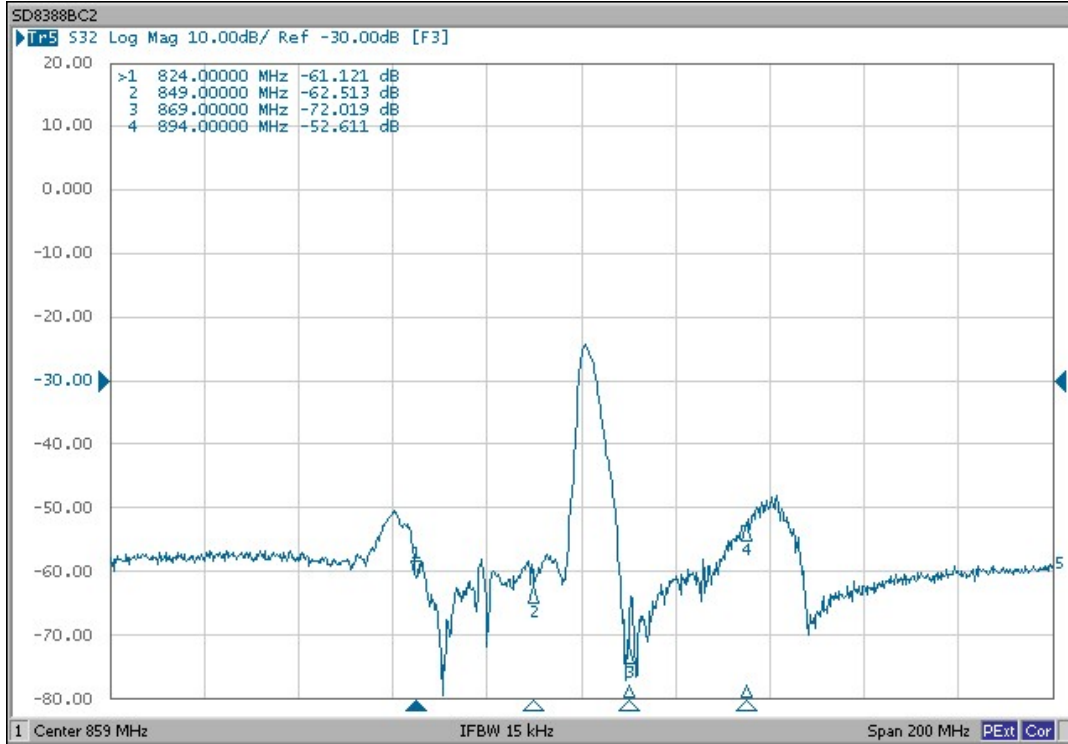
2. Rx Characteristic



**SAW Duplexer 836.50 - 881.50MHz**  
**Part No: MP05244**

**Model: TF0035A**  
**Rev No: 4**

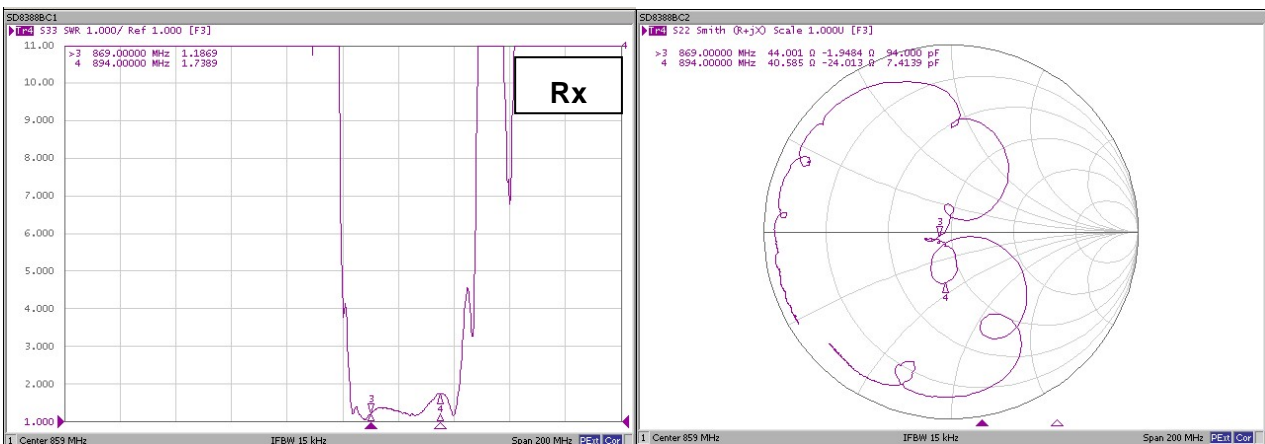
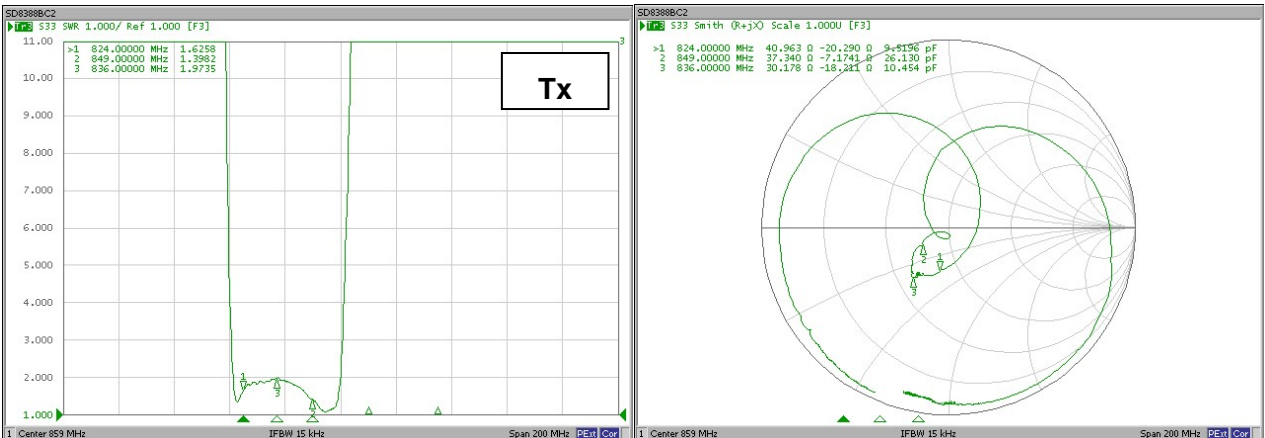
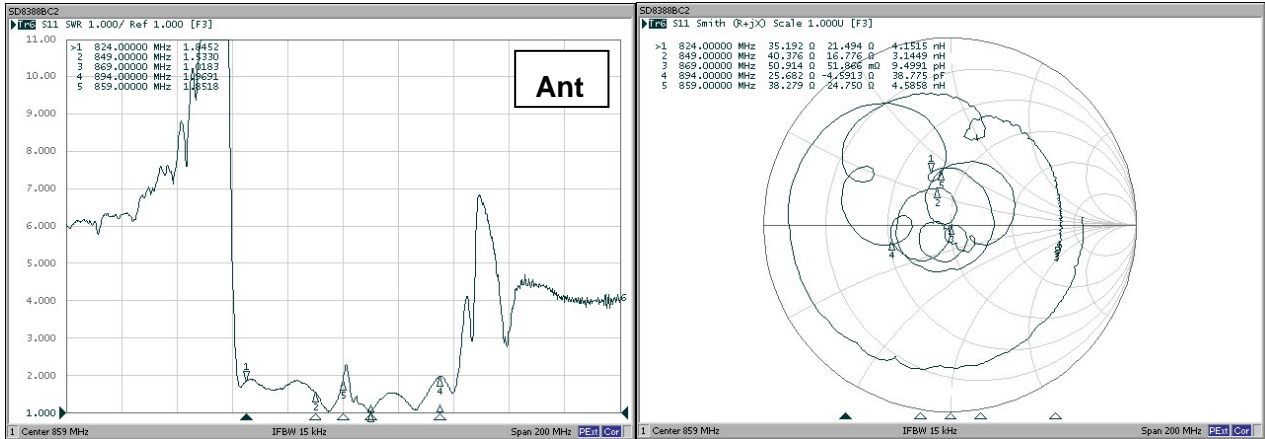
### 3. Isolation Characteristic



**SAW Duplexer 836.50 - 881.50MHz**  
**Part No: MP05244**

**Model: TF0035A**  
**Rev No: 4**

4. VSWR & Smith Chart

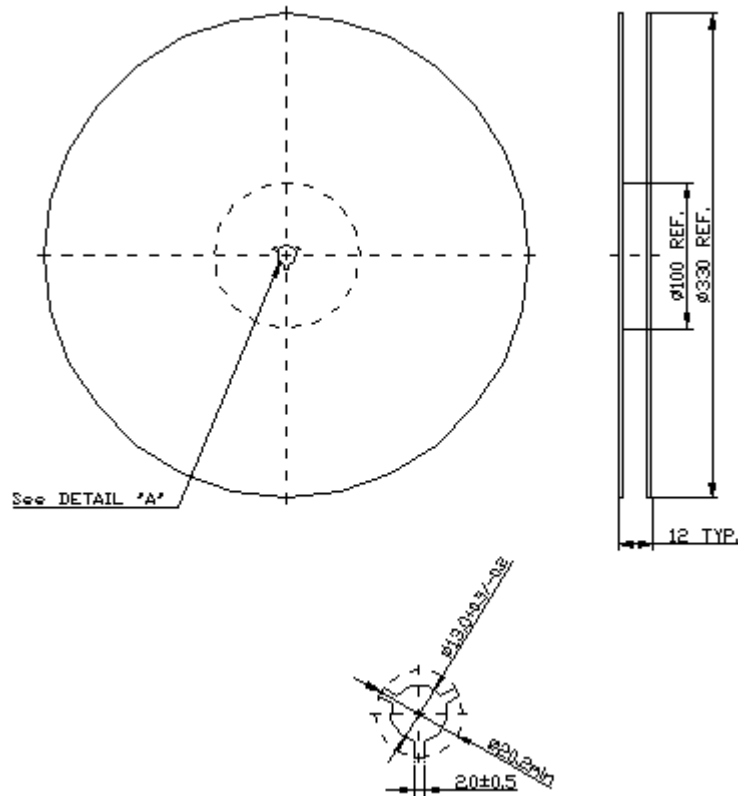


**SAW Duplexer 836.50 - 881.50MHz**  
**Part No: MP05244**

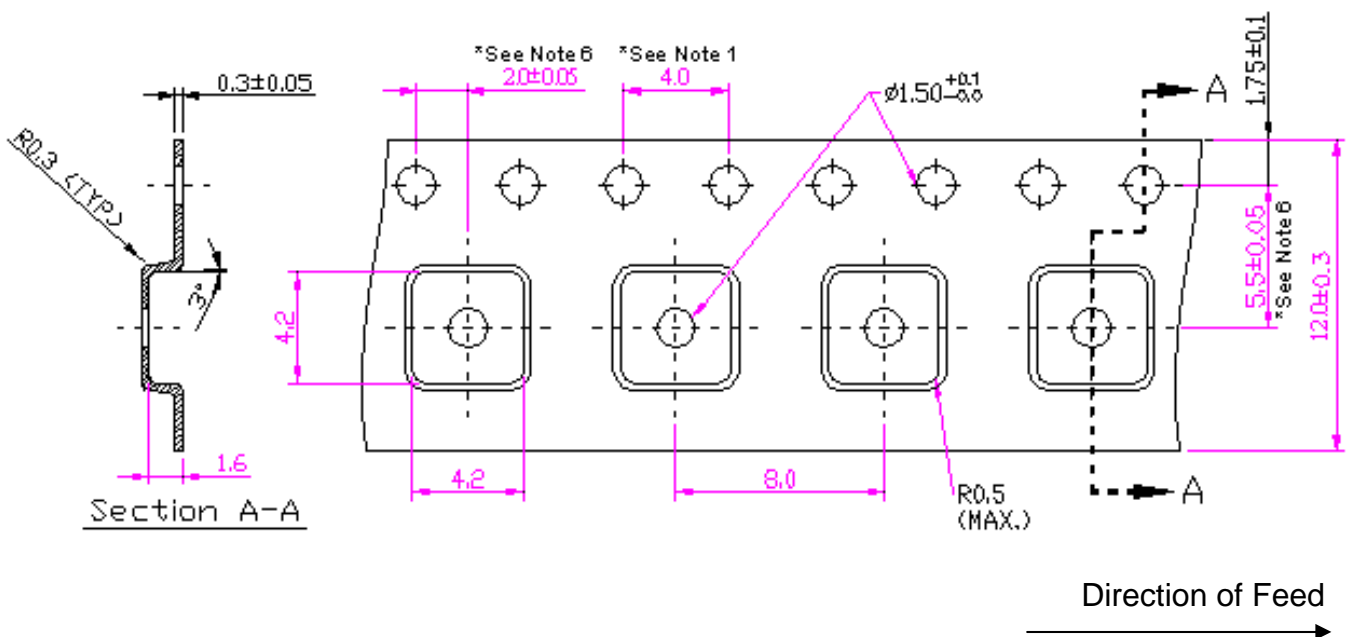
**Model: TF0035A**  
**Rev No: 4**

**F. PACKING:**

1. Reel Dimension



2. Tape Dimension



**SAW Duplexer 836.50 - 881.50MHz**  
**Part No: MP05244**

**Model: TF0035A**  
**Rev No: 4**

**G. RECOMMENDED REFLOW PROFILE:**

