

SAW Filter 2595.0MHz
Part No: MP05090

Model: TA1391A
Rev No: 1

A. MAXIMUM RATING:

Electrostatic Sensitive Device (ESD)

1. Input Power Level: 10dBm
2. DC Voltage: 3V
3. Operating Temperature: -30°C to +85°C
4. Storage Temperature: -40°C to +95°C

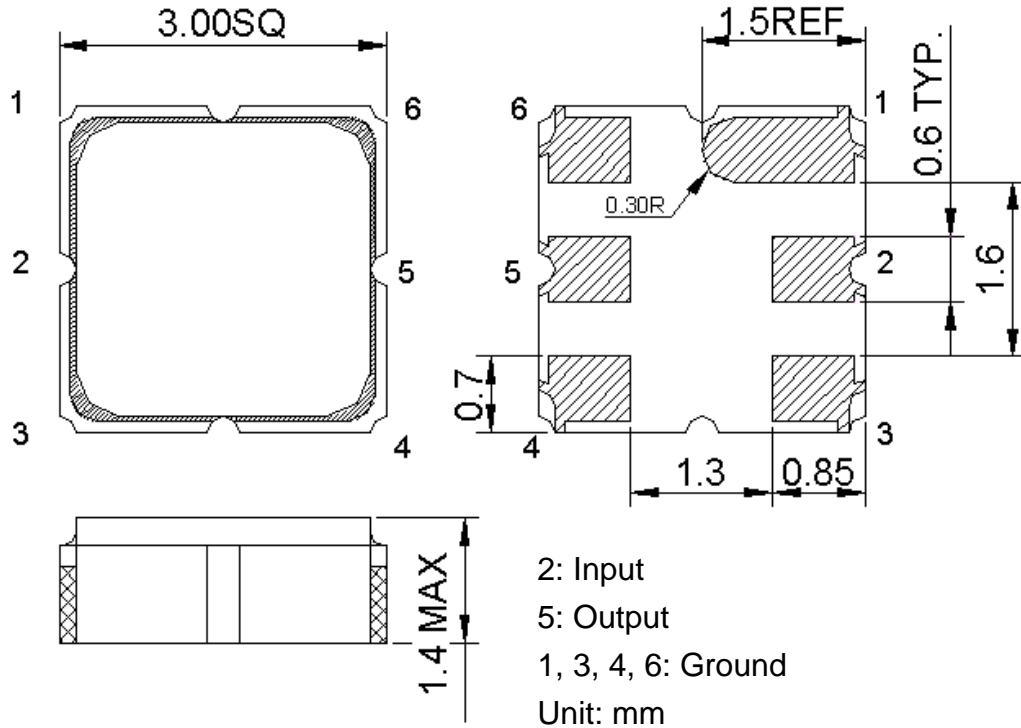
B. ELECTRICAL CHARACTERISTICS:

Item	Unit	Min.	Typ.	Max.	Note
Center Frequency Fc	MHz	-	2595	-	-
Insertion Loss (2570 ~ 2620MHz) IL	dB	-	2.8	3.8	-
Amplitude Ripple (2570 ~ 2620MHz)	dB	-	1.1	1.8	-
VSWR (2570 ~ 2620MHz)		-	1.6	2	-
Attenuation (Reference level from 0dB)					
DC ~ 200MHz	dB	40	52	-	-
200 ~ 2485MHz	dB	35	39	-	-
2485 ~ 2510MHz	dB	20	31	-	-
2680 ~ 2705MHz	dB	20	55	-	-
2705 ~ 3000MHz	dB	35	55	-	-
3000 ~ 4900MHz	dB	20	35	-	-
4900 ~ 6000MHz	dB	10	14	-	-
Temperature Coefficient of Frequency	ppm/°C	-	-36	-	-

SAW Filter 2595.0MHz
Part No: MP05090

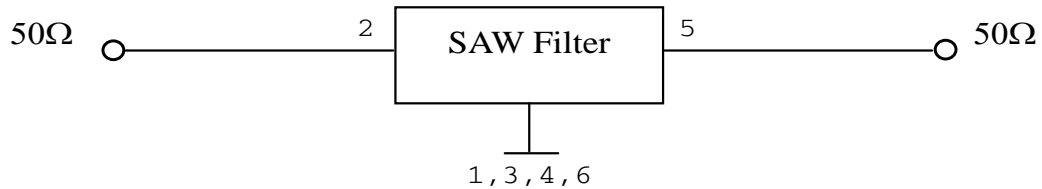
Model: TA1391A
Rev No: 1

C. OUTLINE DRAWING:

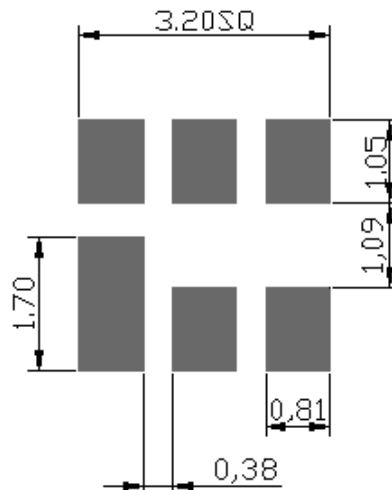


D. MEASUREMENT CIRCUIT:

HP Network analyzer



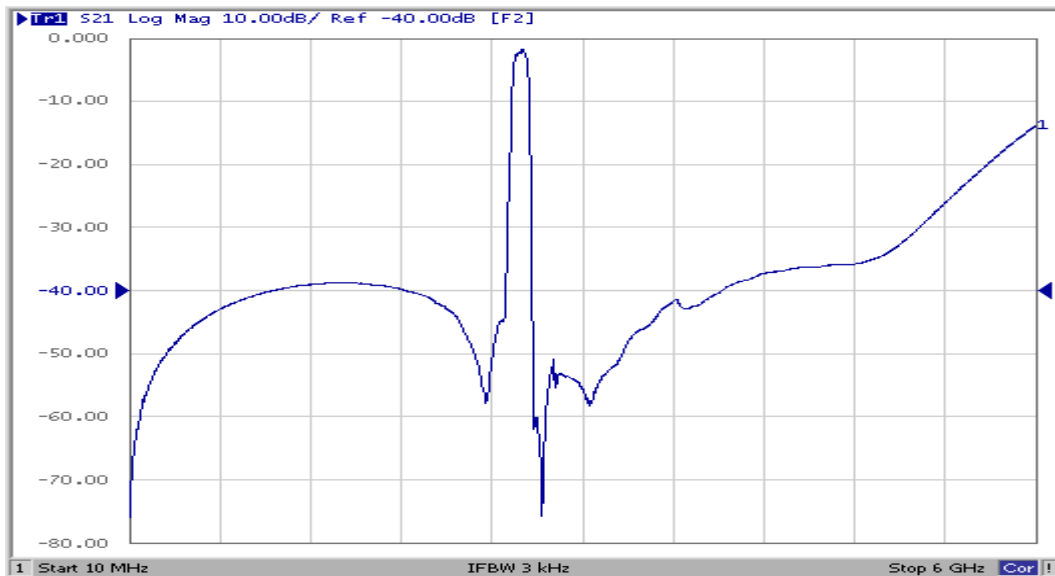
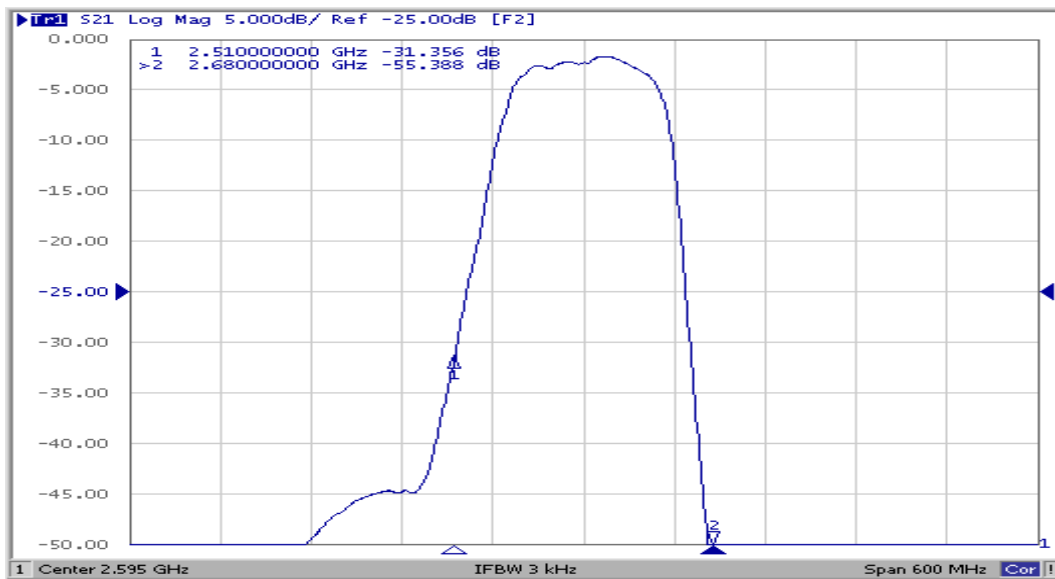
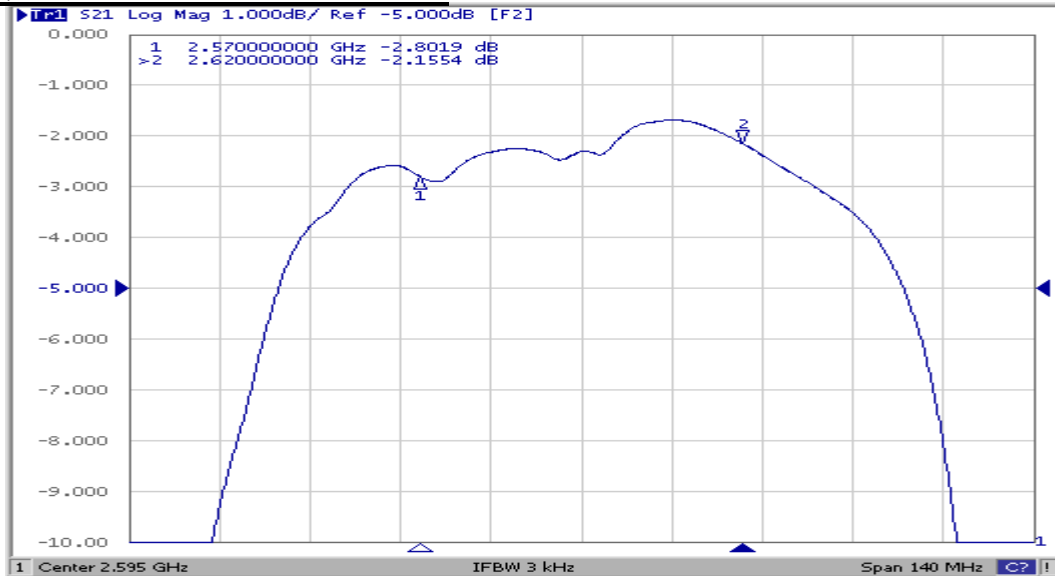
E. PCB FOOTPRINT:



SAW Filter 2595.0MHz
Part No: MP05090

Model: TA1391A
Rev No: 1

F. FREQUENCY CHARACTERISTICS:

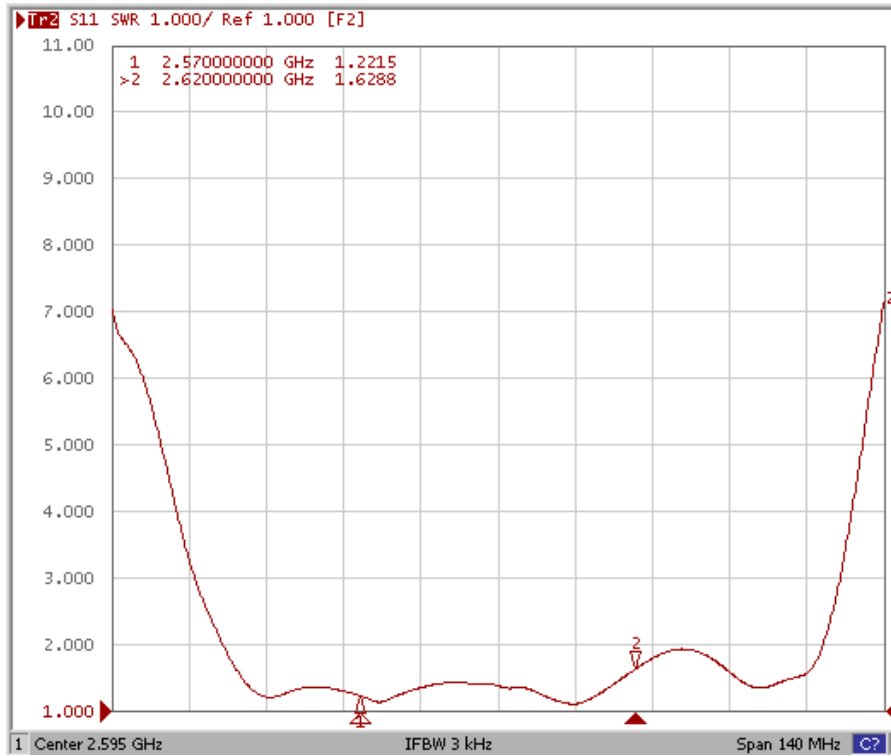


SAW Filter 2595.0MHz
Part No: MP05090

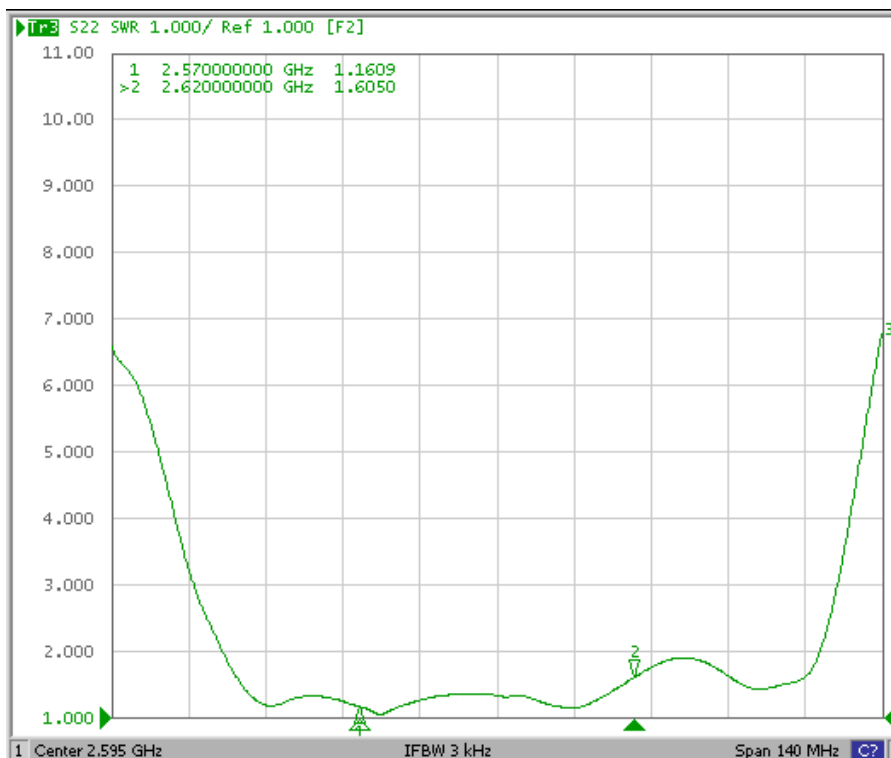
Model: TA1391A
Rev No: 1

Reflection Functions

S11



S22



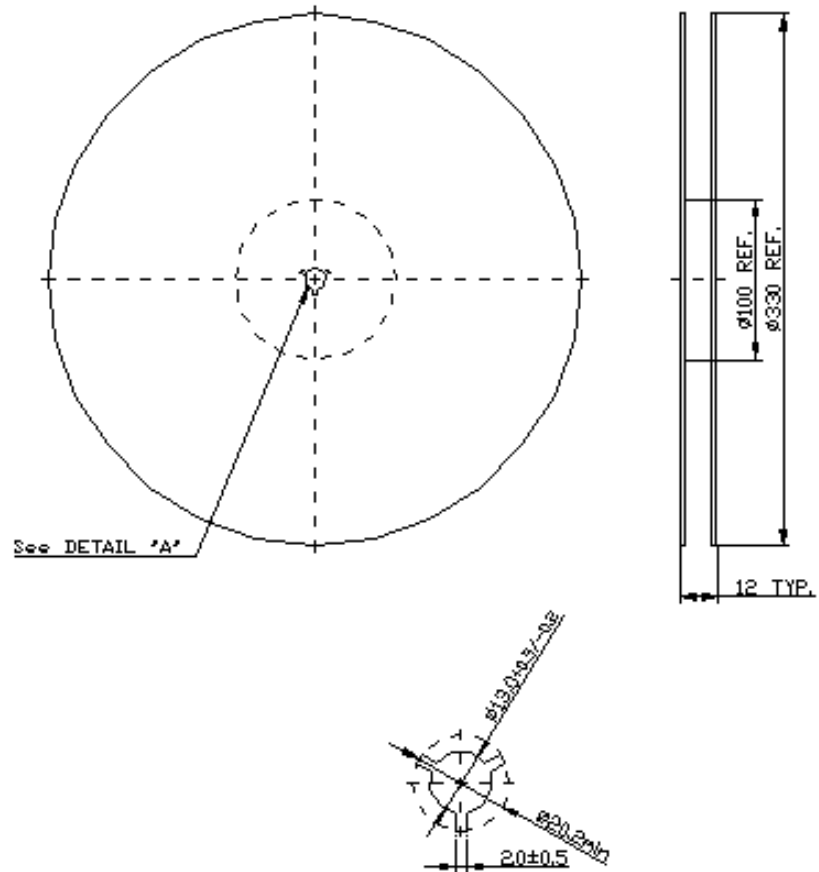
SAW Filter 2595.0MHz
Part No: MP05090

Model: TA1391A
Rev No: 1

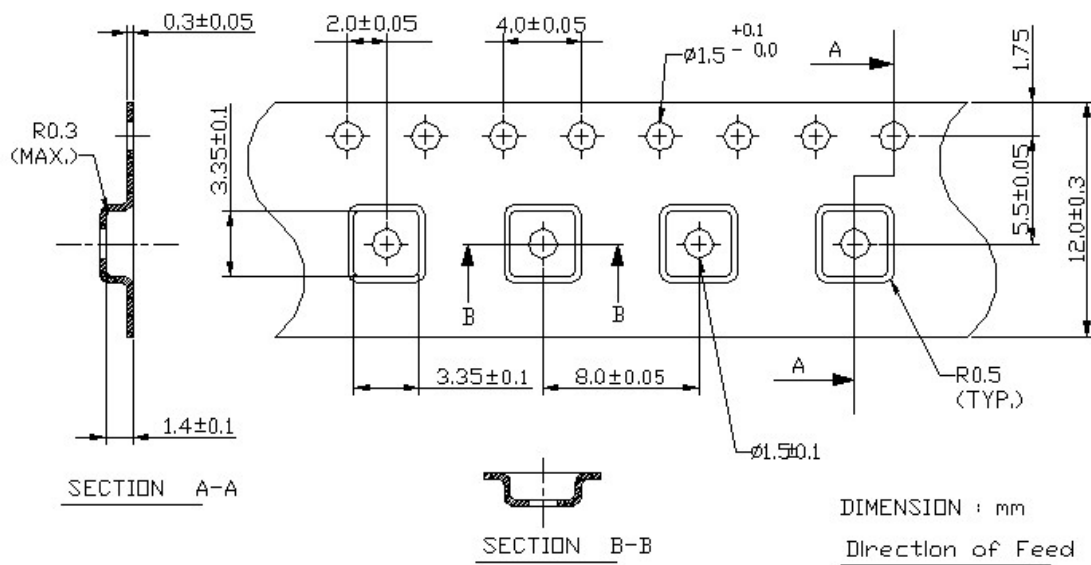
G. PACKING:

1. Reel Dimension

(Reel Count: 7" = 1000; 13" = 3000)



2. Tape Dimension



SAW Filter 2595.0MHz
Part No: MP05090

Model: TA1391A
Rev No: 1

H. RECOMMENDED REFLOW PROFILE:

1. Preheating shall be fixed at 150 ~ 180°C for 60 ~ 90 seconds.
2. Ascending time to preheating temperature 150°C shall be 30 seconds min.
3. Heating shall be fixed at 220°C for 50 ~ 80 seconds and at 245 ~ 260°C peak (min. 10 sec).
4. Time: 2 times.

