

**SAW Filter 755.0MHz**  
**Part No: MP05078**

**Model: TA1297A**  
**Rev No: 2**

**A. MAXIMUM RATING:**

Electrostatic Sensitive Device (ESD)

1. Input Power Level: 10dBm
2. DC voltage: 5V
3. Operating Temperature: -30°C to 60°C
4. Storage Temperature: -40°C to +85°C

**B. CHARACTERISTICS:**

Item	Unit	Min.	Typ.	Max.
Center frequency Fc	MHz	-	755	-
3dB Bandwidth	MHz	24	32	
Amplitude ripple (743 ~ 767MHz)	dB	-	1.0	1.7
Insertion loss, IL (743 ~ 767MHz)	dB	-	2.6	3.0
Group Delay, GD (743 ~ 767MHz)	ns	-	25	200
Attenuation (reference from 0dB)				
0.3 ~ 680MHz	dB	40	52	-
680 ~ 729MHz	dB	10	45	-
781 ~ 845MHz	dB	10	20	-
845 ~ 1055MHz	dB	40	53	-
1050 ~ 1205MHz	dB	45	50	-
Source impedance Z <sub>S</sub>	Ω	-	50	-
Load impedance Z <sub>L</sub>	Ω	-	50	-

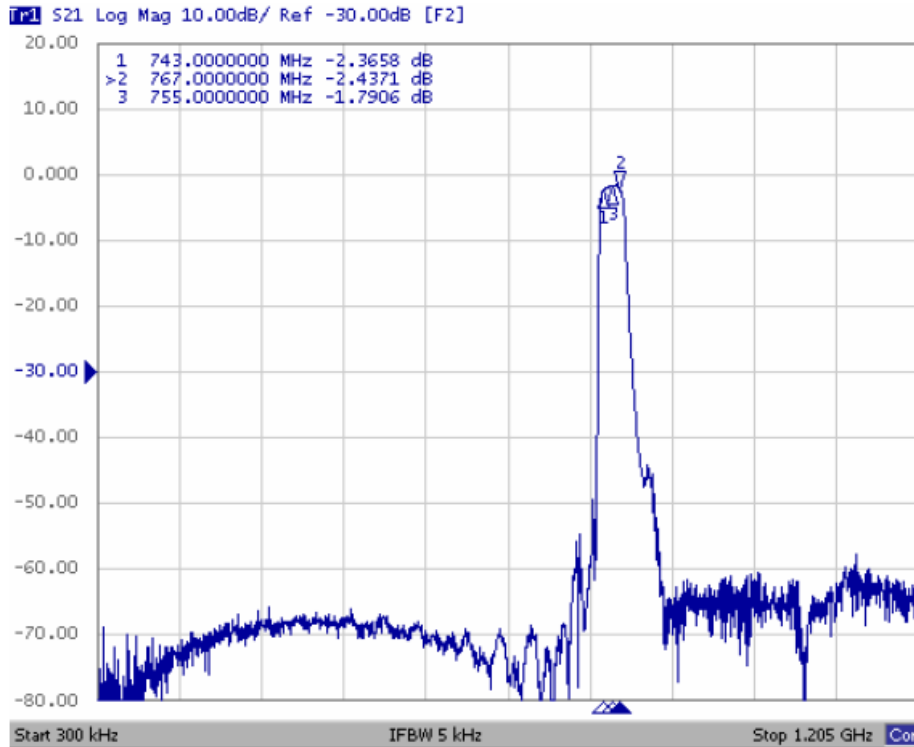
Note: No matching network required for operation at 50Ω

**SAW Filter 755.0MHz**  
**Part No: MP05078**

**Model: TA1297A**  
**Rev No: 2**

**C. FREQUENCY CHARACTERISTICS:**

1. Wideband



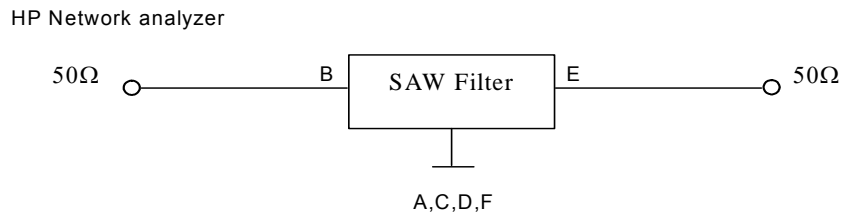
2. Passband



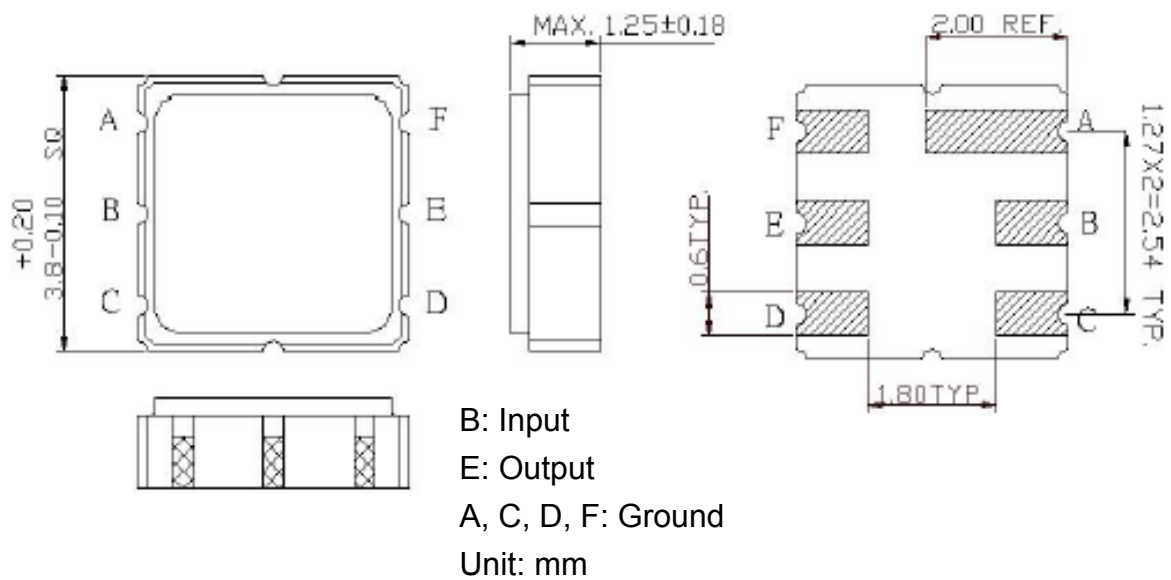
**SAW Filter 755.0MHz**  
**Part No: MP05078**

**Model: TA1297A**  
**Rev No: 2**

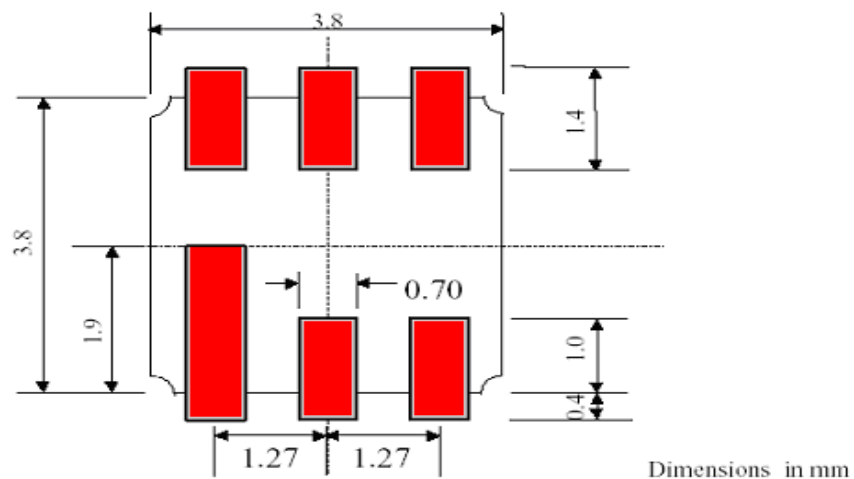
**D. MEASUREMENT CIRCUIT:**



**E. OUTLINE DRAWING:**



**F. PCB FOOTPRINT:**

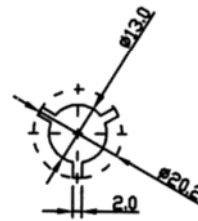
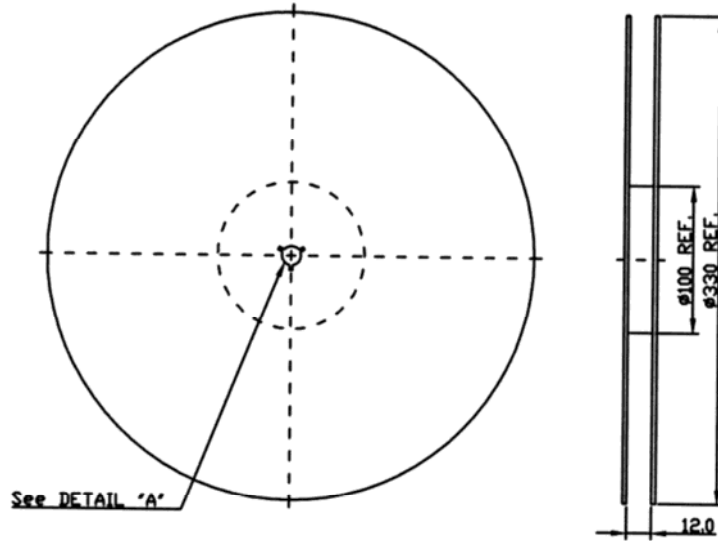


**SAW Filter 755.0MHz**  
**Part No: MP05078**

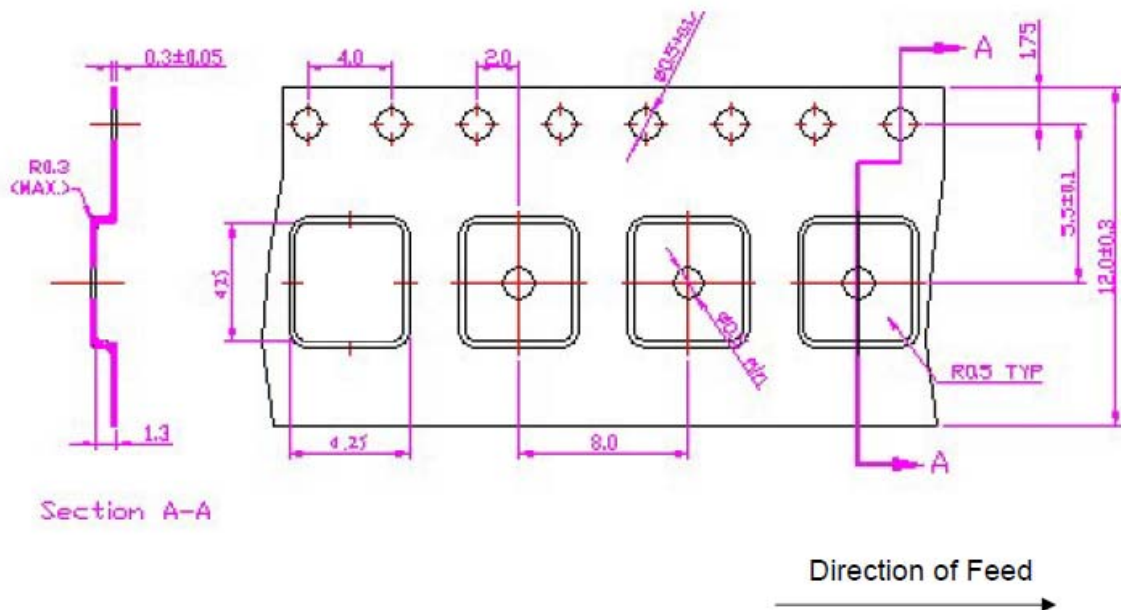
**Model: TA1297A**  
**Rev No: 2**

### G. PACKING:

#### 1. Reel Dimension



#### 2. Tape Dimension



**SAW Filter 755.0MHz**  
**Part No: MP05078**

**Model: TA1297A**  
**Rev No: 2**

**H. RECOMMENDED REFLOW PROFILE:**

1. Preheating shall be fixed at 150 ~ 180°C for 60 ~ 90 seconds.
2. Ascending time to preheating temperature 150°C shall be 30 seconds min.
3. Heating shall be fixed at 220°C for 50 ~ 80 seconds and at 260°C +0/-5°C peak (20 ~ 40 sec).
4. Time: 2 times.

