

**SAW Filter 860.50MHz**  
**Part No: MP05034**

**Model: TA1469A**  
**Rev No: 2**

**A. MAXIMUM RATING:**

Electrostatic Sensitive Device (ESD)

1. Input Power Level: 10dBm
2. DC voltage: 0V
3. Operating Temperature: -25°C to 75°C
4. Storage Temperature: -40°C to +85°C

**B. CHARACTERISTICS:**

Item	Unit	Min	Typ	Max
Center frequency Fc	MHz	-	860.5	-
Insertion loss IL (851 ~ 870MHz)	dB	-	2.8	4
Amplitude ripple (851 ~ 870MHz)	dB	-	0.3	2
VSWR (851 ~ 870MHz)		-	1.8	2.5
Attenuation (reference from 0dB)				
0.3 ~ 780MHz	dB	35	54	-
806 ~ 825MHz	dB	20	40	-
896 ~ 915MHz	dB	15	25	-
941 ~ 1200MHz	dB	40	53	-
1200 ~ 2000MHz	dB	20	40	-
Source impedance Z <sub>S</sub>	Ω	-	50	-
Load impedance Z <sub>L</sub>	Ω	-	50	-

Note: No matching network required for operation at 50Ω

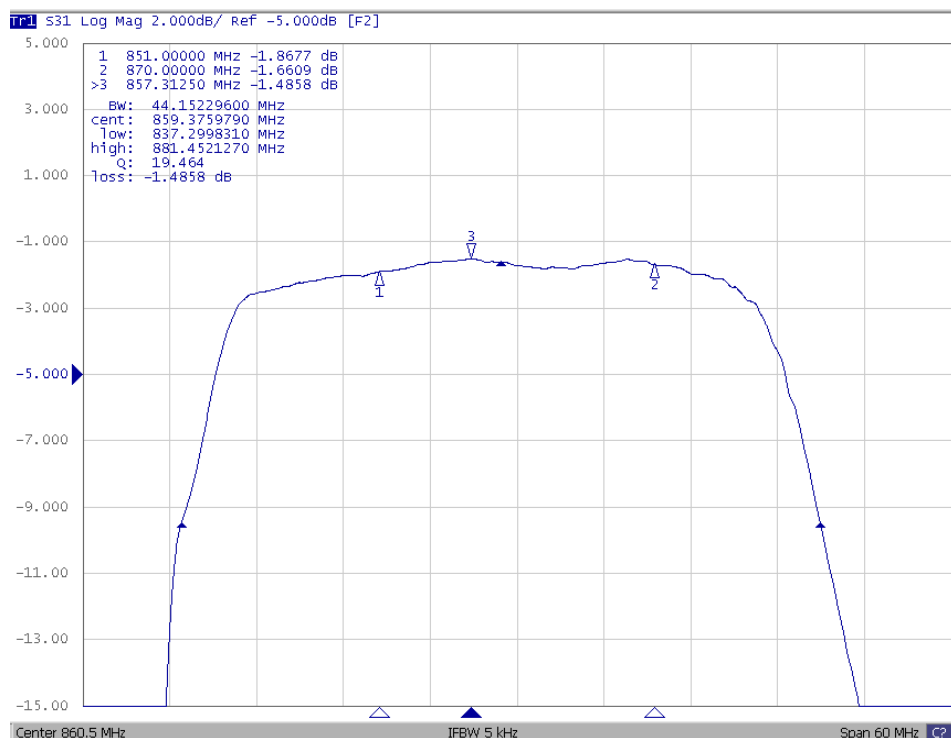
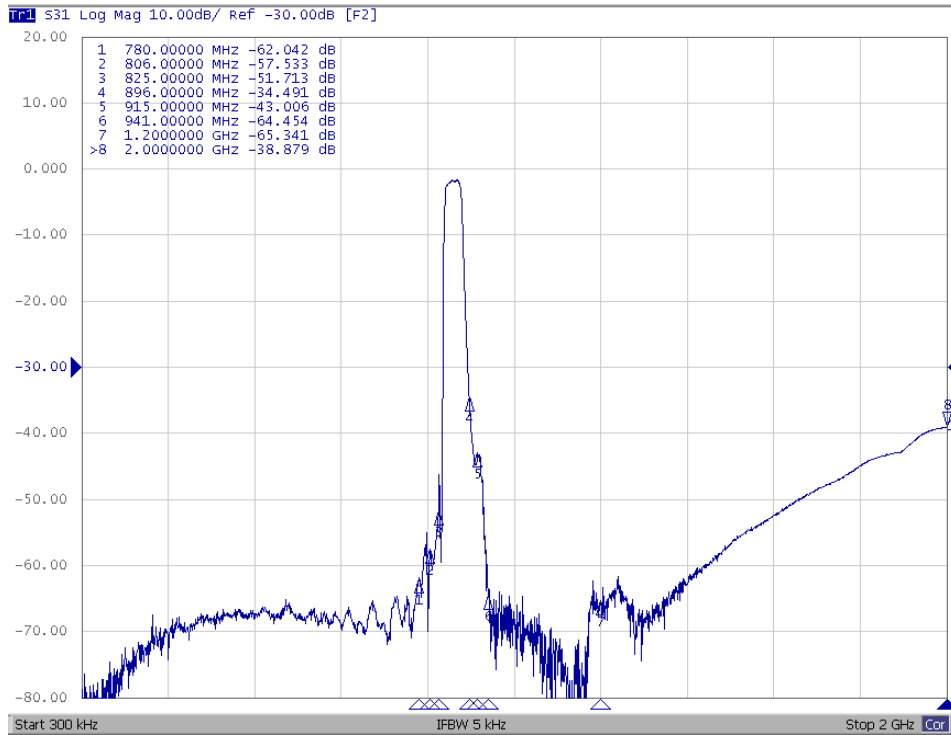
**SAW Filter 860.50MHz**  
**Part No: MP05034**

**Model: TA1469A**  
**Rev No: 2**

**C. FREQUENCY CHARACTERISTICS:**

Transfer Function

Passband

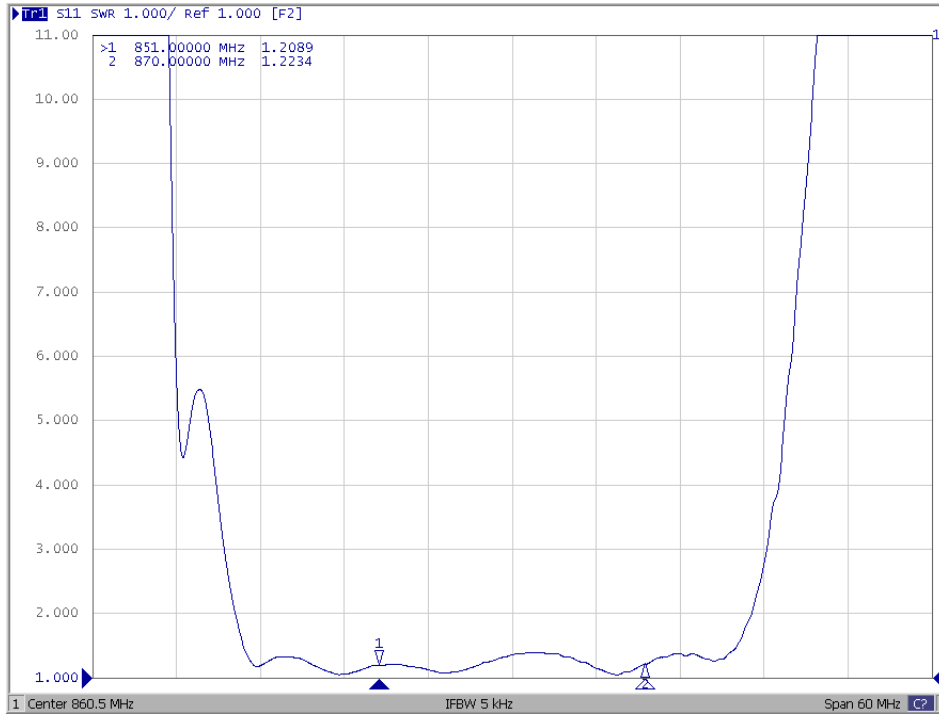


**SAW Filter 860.50MHz**  
**Part No: MP05034**

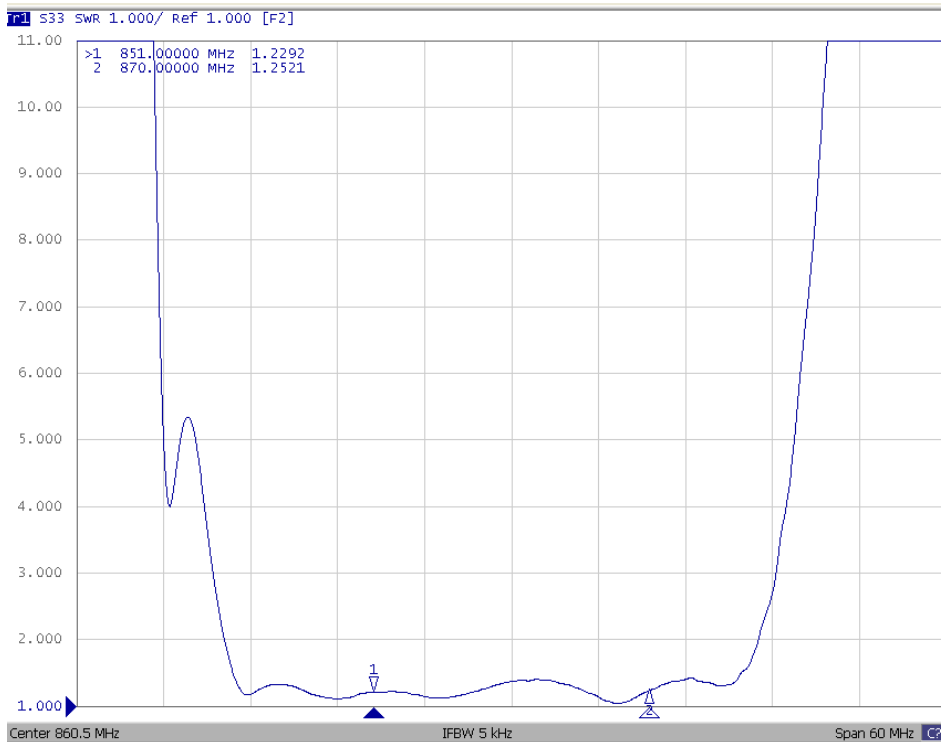
**Model: TA1469A**  
**Rev No: 2**

VSWR

S11



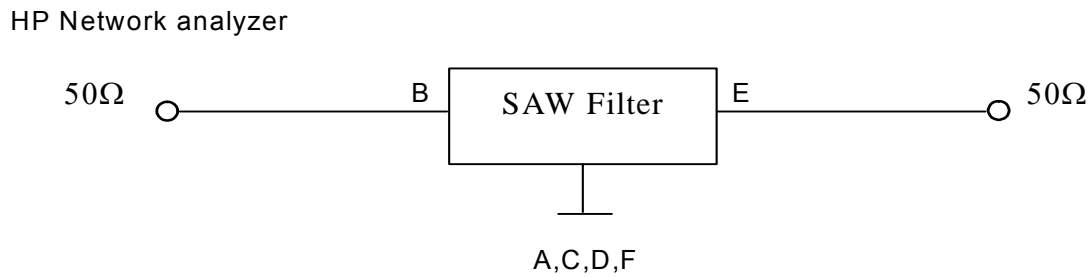
S22



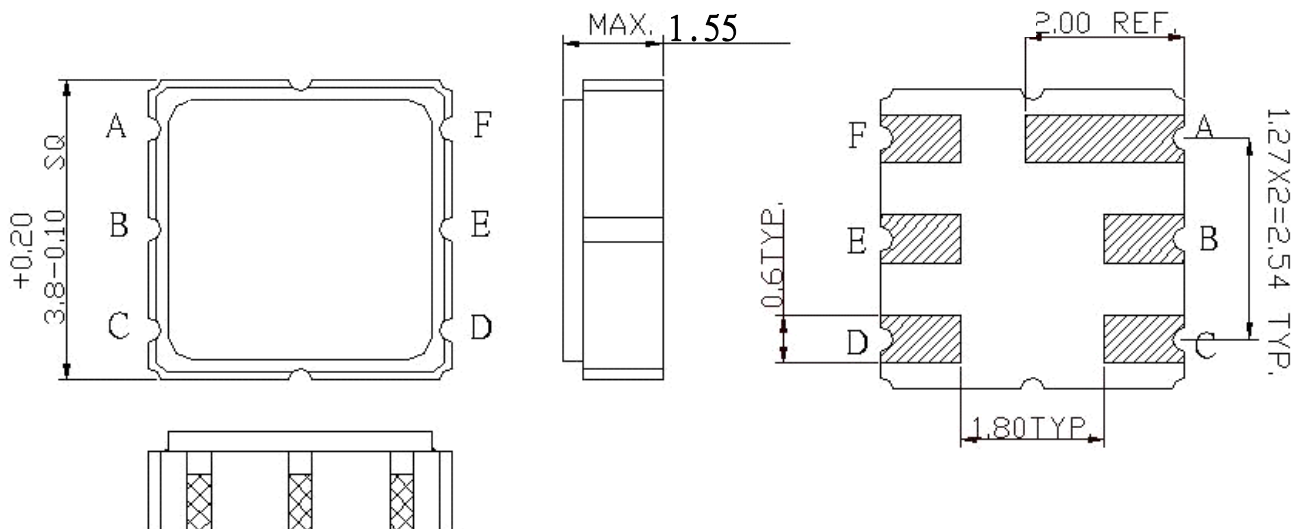
**SAW Filter 860.50MHz**  
**Part No: MP05034**

**Model: TA1469A**  
**Rev No: 2**

**D. MEASUREMENT CIRCUIT:**



**E. OUTLINE DRAWING:**



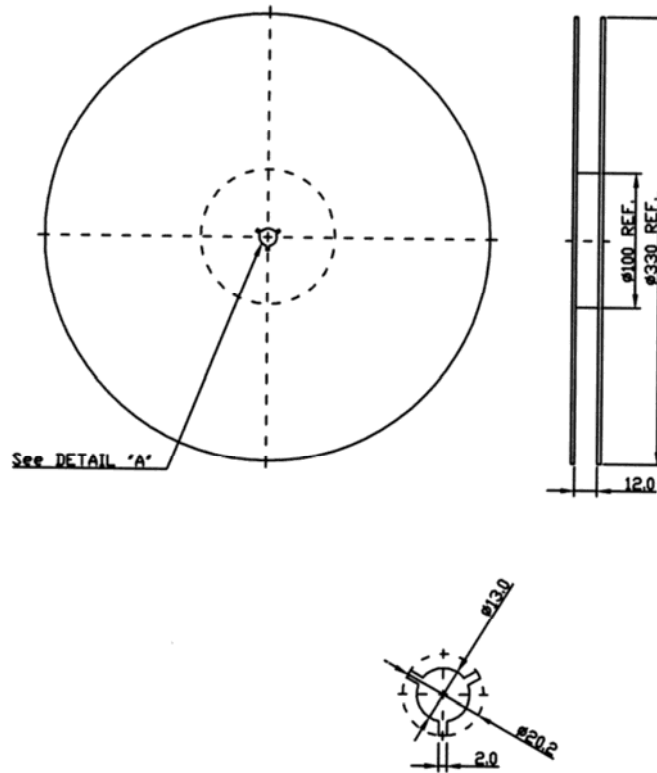
B: Input  
 E: Output  
 A, C, D, F: Ground  
 Unit: mm

**SAW Filter 860.50MHz**  
**Part No: MP05034**

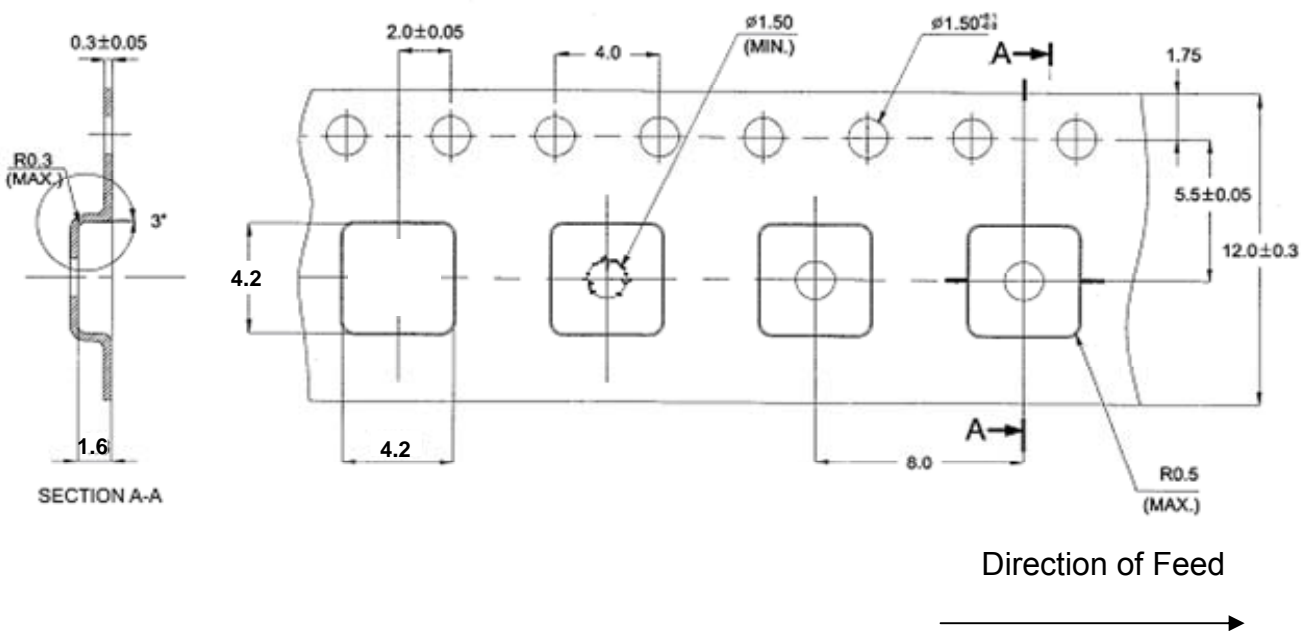
**Model: TA1469A**  
**Rev No: 2**

**F. PACKING:**

1. Reel Dimension



2. Tape Dimension



**SAW Filter 860.50MHz**  
**Part No: MP05034**

**Model: TA1469A**  
**Rev No: 2**

**G. RECOMMENDED REFLOW PROFILE:**

