

**SAW Filter 1832.50MHz**  
**Part No: MP04943**

**Model: TA1487A**  
**Rev No: 1**

**A. MAXIMUM RATING:**

Electrostatic Sensitive Device (ESD)

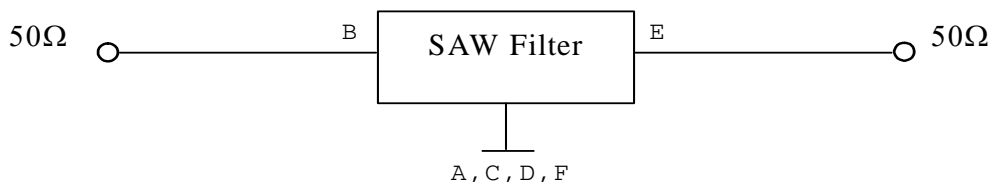
1. Input Power Level: 13dBm
2. DC Voltage: 3V
3. Operating Temperature: -30°C to +85°C
4. Storage Temperature: -40°C to +85°C

**B. ELECTRICAL CHARACTERISTICS:**

Item	Unit	Min.	Typ.	Max.
Center frequency Fc	MHz	-	1832.5	-
Insertion loss IL (1805 ~ 1860MHz)	dB	-	1.8	3.8
Amplitude ripple (1805 ~ 1860MHz)	dB	-	0.9	2.3
Attenuation (reference from 0dB)				
0.3 ~ 1710MHz	dB	20	26	-
1930 ~ 3000MHz	dB	20	31	-
Source impedance Z <sub>S</sub>	Ω	-	50	-
Load impedance Z <sub>L</sub>	Ω	-	50	-

**C. MEASUREMENT CIRCUIT:**

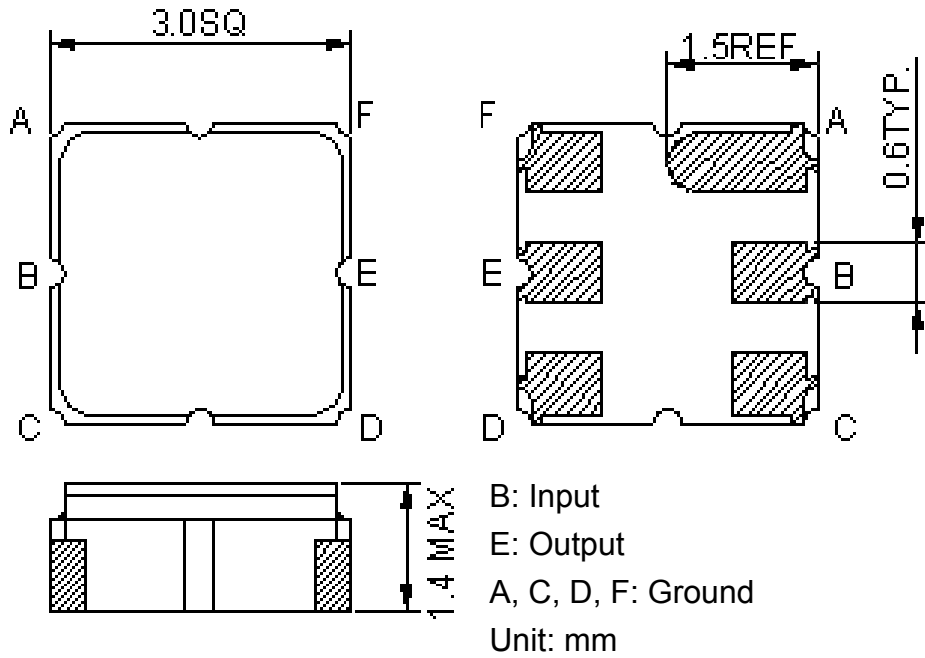
HP Network analyzer



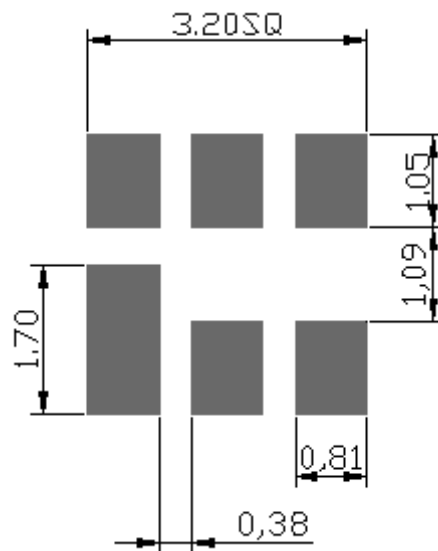
**SAW Filter 1832.50MHz**  
**Part No: MP04943**

**Model: TA1487A**  
**Rev No: 1**

**D. OUTLINE DRAWING:**



**E. PCB FOOTPRINT:**

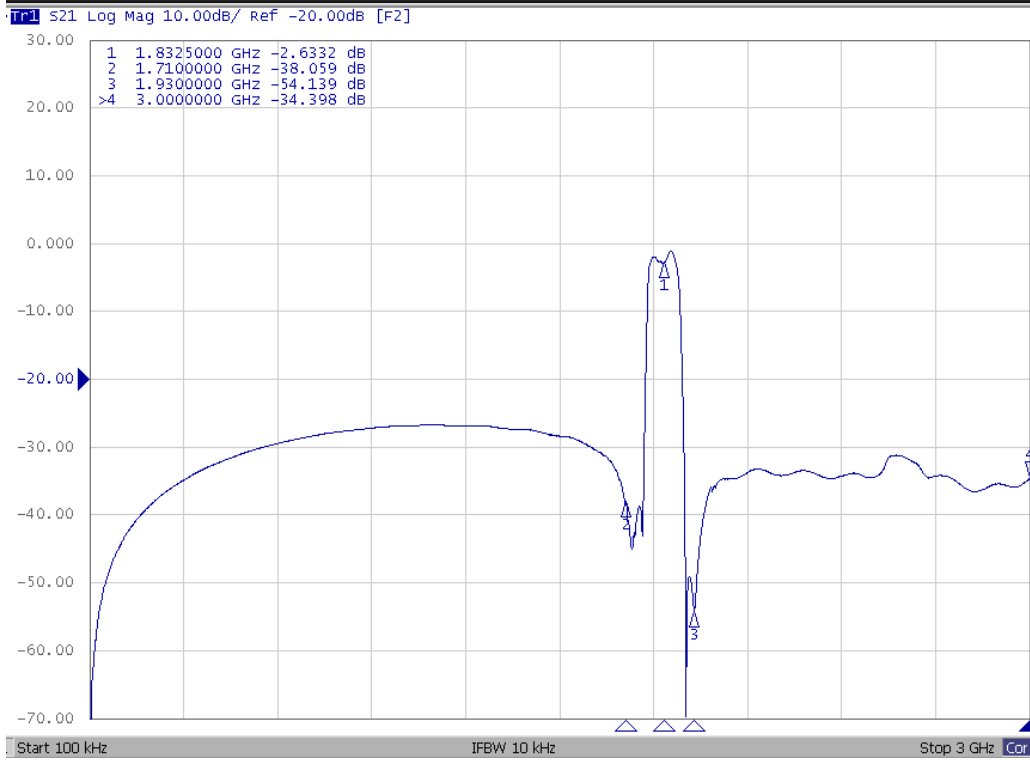


**SAW Filter 1832.50MHz**  
**Part No: MP04943**

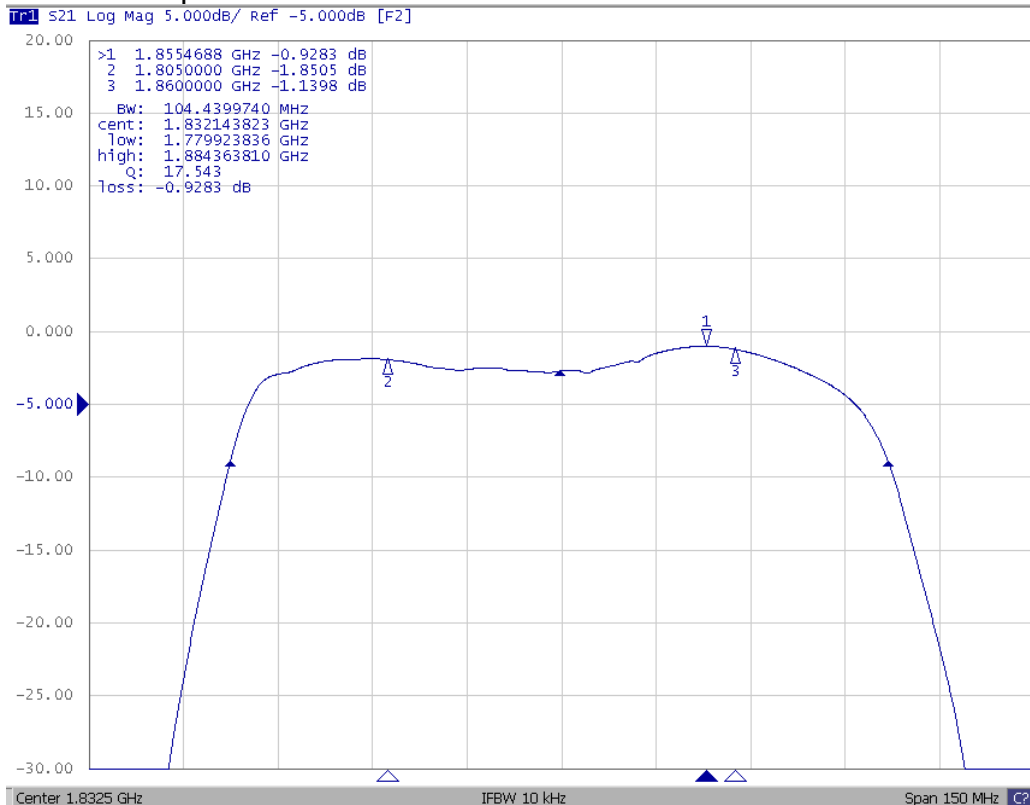
**Model: TA1487A**  
**Rev No: 1**

**F. FREQUENCY CHARACTERISTICS:**

**1. Wideband response**



**2. Narrowband response**

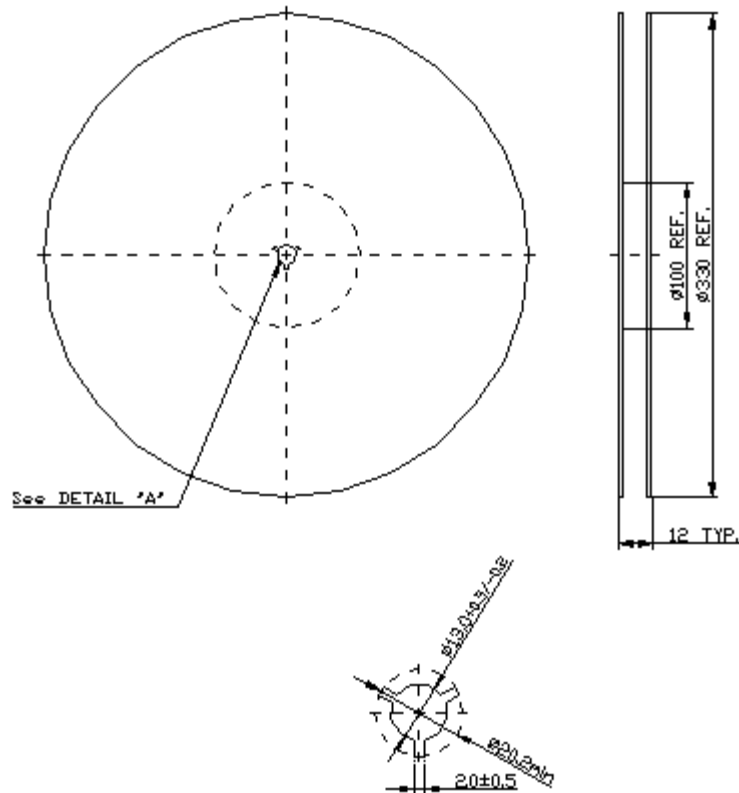


**SAW Filter 1832.50MHz**  
**Part No: MP04943**

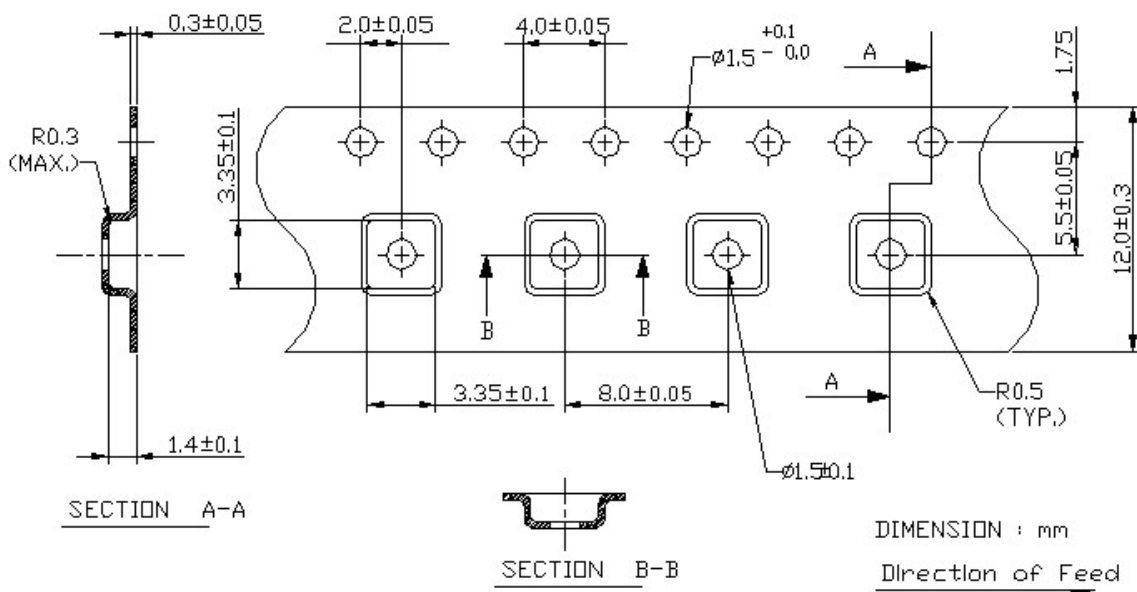
**Model: TA1487A**  
**Rev No: 1**

**G. PACKING:**

1. Reel Dimension (Reel Count: 7" = 1000; 13" = 3000)



2. Tape Dimension



**SAW Filter 1832.50MHz**  
**Part No: MP04943**

**Model: TA1487A**  
**Rev No: 1**

**H. RECOMMENDED REFLOW PROFILE:**

