

**SAW Filter 455.0MHz**  
**Part No: MP04895**

**Model: TA1258A**  
**Rev No: 1**

**A. MAXIMUM RATING:**

1. Input Power Level: 0dBm
2. DC Voltage: 0V
3. Operating Temperature: -30°C to +80°C
4. Storage Temperature: -40°C to +85°C

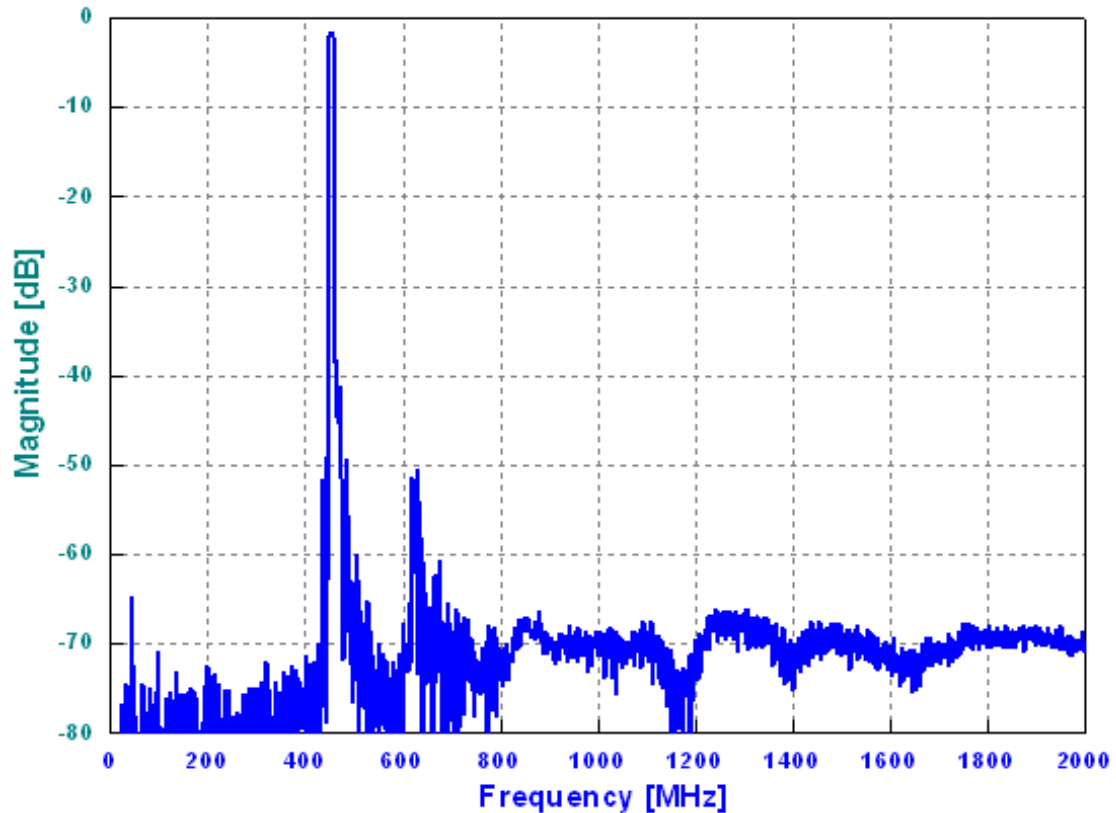
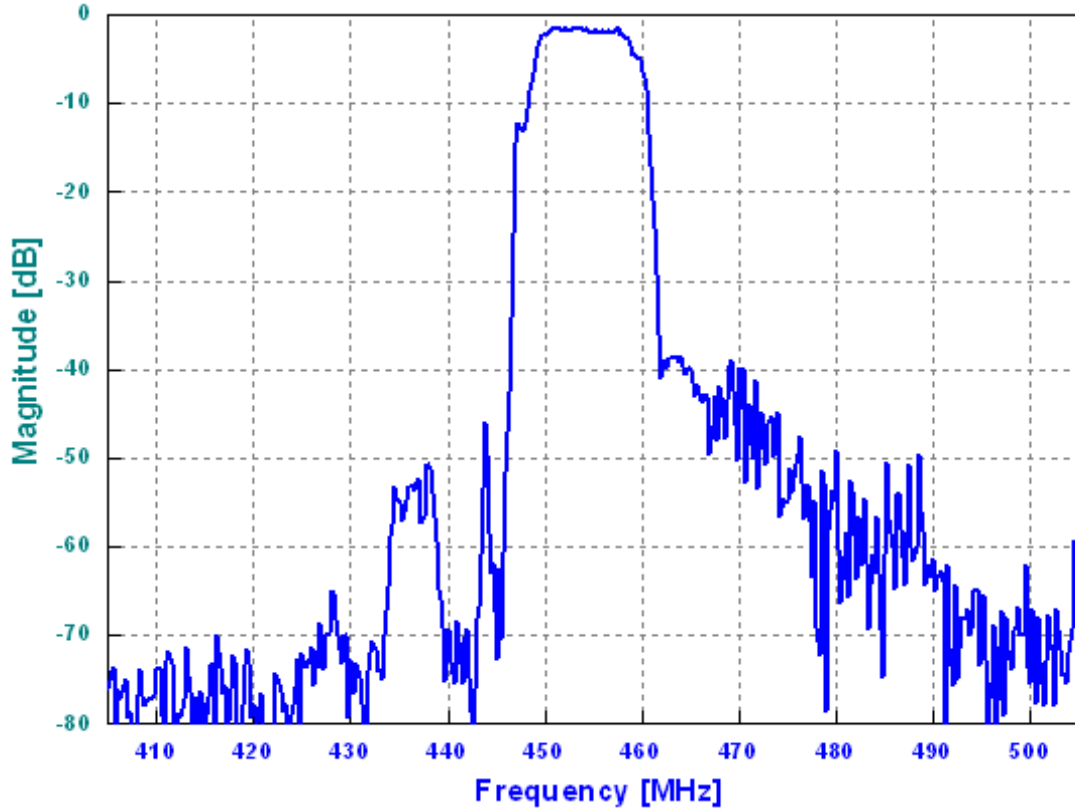
**B. ELECTRICAL CHARACTERISTICS:**

Item	Min.	Typ.	Max.	Note
Center frequency, Fc (MHz)	-	455	-	
Minimum IL, (dB)	-	2.0	3.2	
VSWR				
452.5 ~ 457.5MHz		2.0	2.5	
Attenuation: (relative to IL min) (dB)				
0.3 ~ 350MHz	45	55	-	
350 ~ 445 MHz	40	50	-	
462.5 ~ 467.5MHz	30	38	-	
467.5 ~ 2000 MHz	35	50		
Source Impedance (ohm)		100		
Load Impedance (ohm)		50		

**SAW Filter 455.0MHz**  
**Part No: MP04895**

**Model: TA1258A**  
**Rev No: 1**

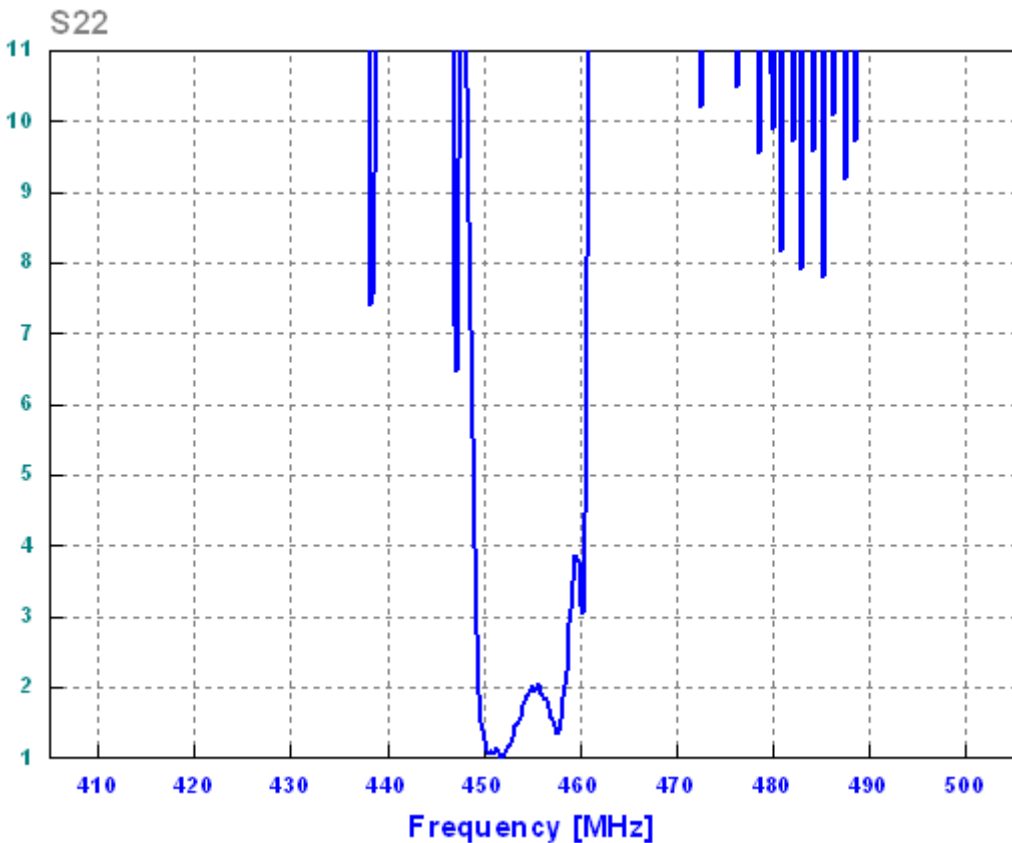
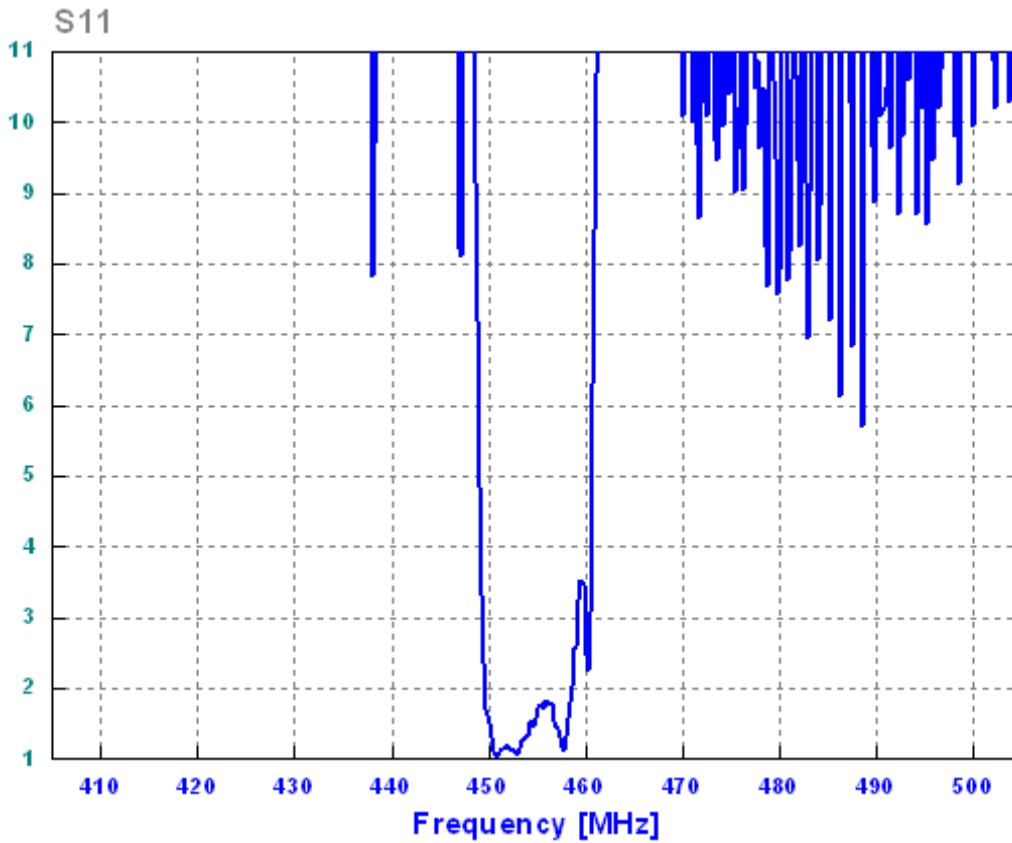
**C. FREQUENCY CHARACTERISTICS:**



**SAW Filter 455.0MHz**  
**Part No: MP04895**

**Model: TA1258A**  
**Rev No: 1**

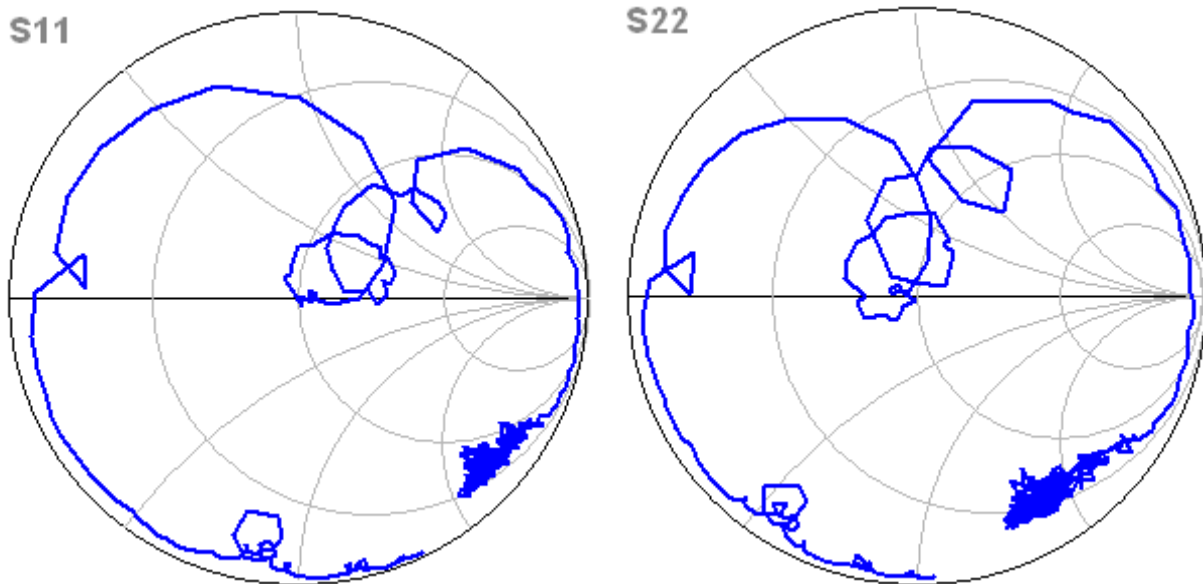
1. VSWR



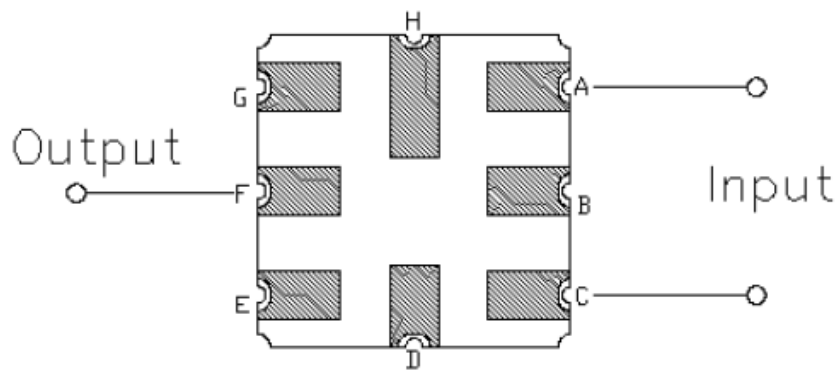
**SAW Filter 455.0MHz**  
**Part No: MP04895**

**Model: TA1258A**  
**Rev No: 1**

2. Smith-Chart



**D. MEASUREMENT CIRCUIT:**

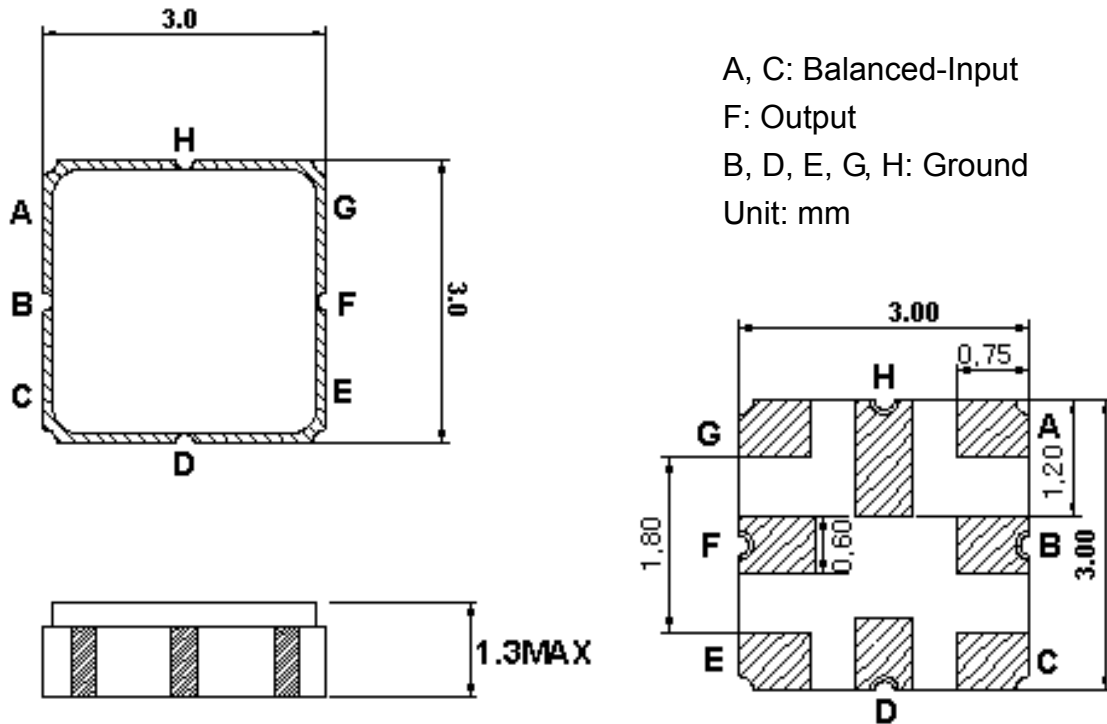


Source & Load Impedance: 100Ω / 50Ω

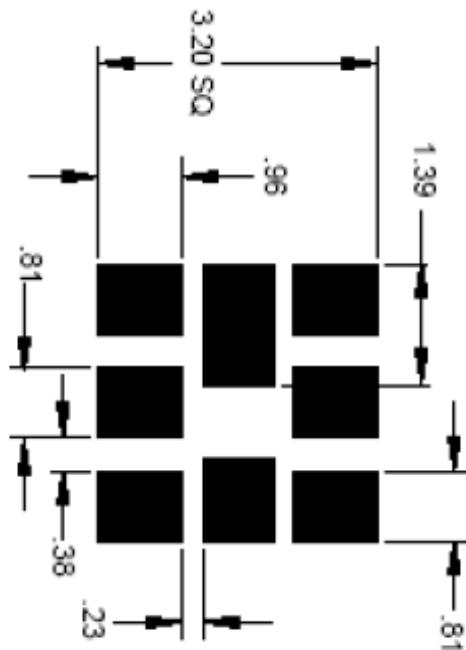
**SAW Filter 455.0MHz**  
**Part No: MP04895**

**Model: TA1258A**  
**Rev No: 1**

**E. OUTLINE DRAWING:**



**F. PCB FOOTPRINT:**



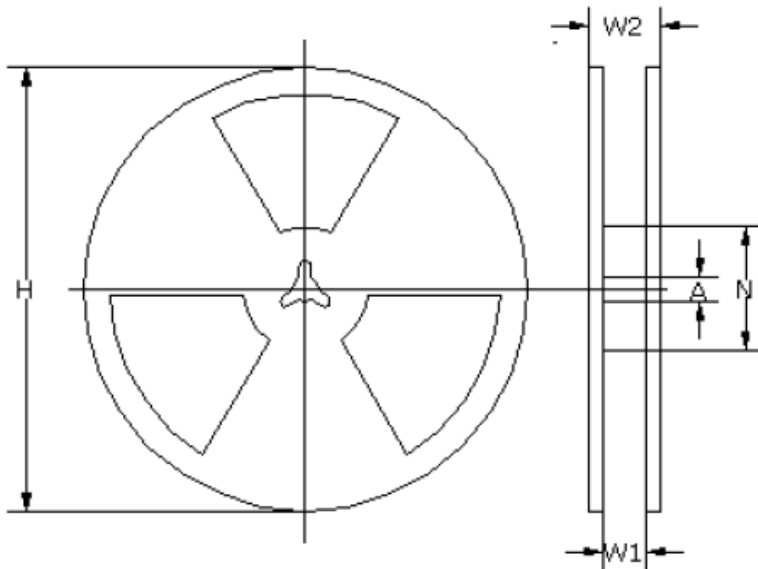
Standard PCB Footprint

**SAW Filter 455.0MHz**  
**Part No: MP04895**

**Model: TA1258A**  
**Rev No: 1**

**G. PACKING:**

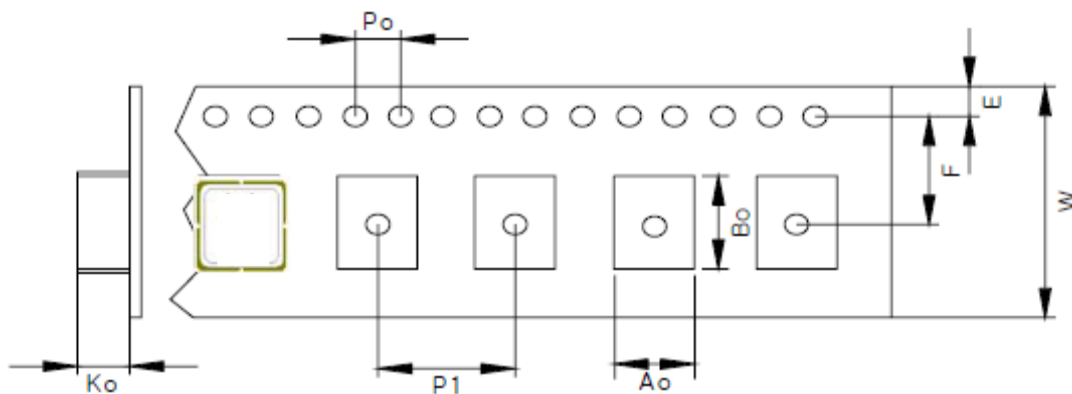
1. Reel Dimension



(Unit : mm)

A	N	H	W1	W2
$\Phi 13 \pm 0.5$	$\Phi 62 \pm 1.0$	$\Phi 330.0 \pm 1.0$	$12.0 \pm 1.0$	$16.0 \pm 1.0$

2. Tape dimension



(Unit : mm)

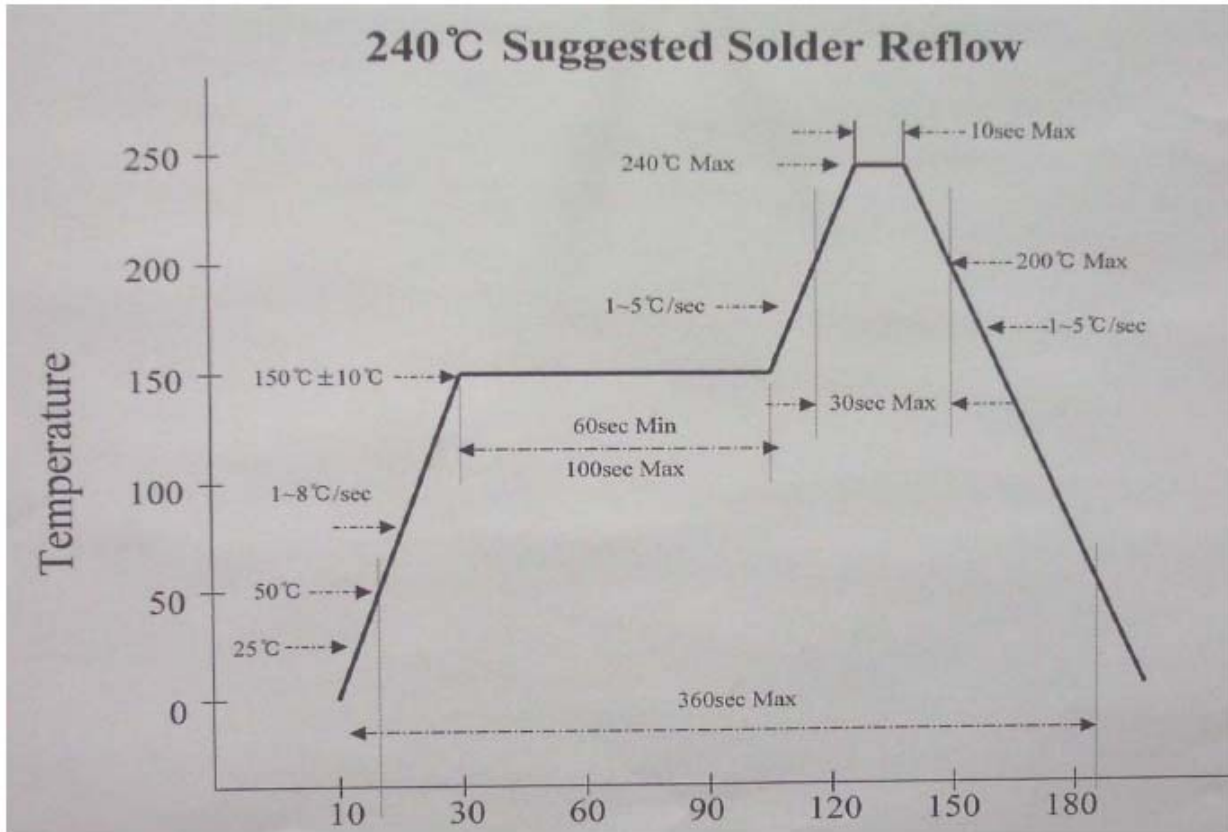
A	B	K0	W	E	F	P0	P1
$3.4 \pm 0.1$	$3.4 \pm 0.1$	$1.4 \pm 0.1$	$12.0 \pm 0.3$	$1.75 \pm 0.1$	$5.5 \pm 0.1$	$4.0 \pm 0.1$	$8.0 \pm 0.1$

**SAW Filter 455.0MHz**  
**Part No: MP04895**

**Model: TA1258A**  
**Rev No: 1**

**H. RECOMMENDED REFLOW PROFILE:**

(Temperature measured from Reflow-effected Product Surface)



(Unit: °C)

	1	2	3	4	5	6	7	8	9	Cool
Heater1 (Upper)	220	180	170	170	170	180	220	260	250	120
Heate2 (Lower)	220	180	170	170	170	180	220	260	250	-