

SAW Filter 388.0MHz
Part No: MP04690

Model: TA1346A
Rev No: 1

A. MAXIMUM RATING:

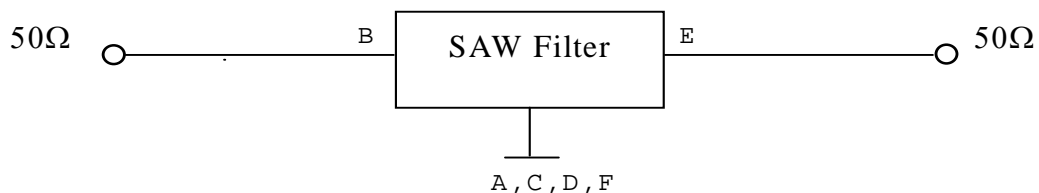
1. Input Power Level: 10dBm
2. DC voltage: 3V
3. Operating Temperature: -10°C to +50°C
4. Storage Temperature: -40°C to +85°C

B. ELECTRICAL CHARACTERISTICS:

Item	Unit	Min.	Typ.	Max.
Center frequency, Fc	MHz	-	388	-
Insertion loss IL (386 ~ 390MHz)	dB	-	1.8	3
Amplitude ripple (386 ~ 390MHz)	dB	-	0.6	1.3
Attenuation (Reference level from 0dB)				
Fc -100 ~ Fc -40MHz	dB	50	59	-
Fc -40 ~ Fc -12MHz	dB	45	53	-
Fc +12 ~ Fc +40MHz	dB	30	40	-
Fc +40 ~ Fc +100MHz	dB	40	45	-
Source impedance Z _S	Ω	-	50	-
Load impedance Z _L	Ω	-	50	-

C. MEASUREMENT CIRCUIT:

HP Network analyzer

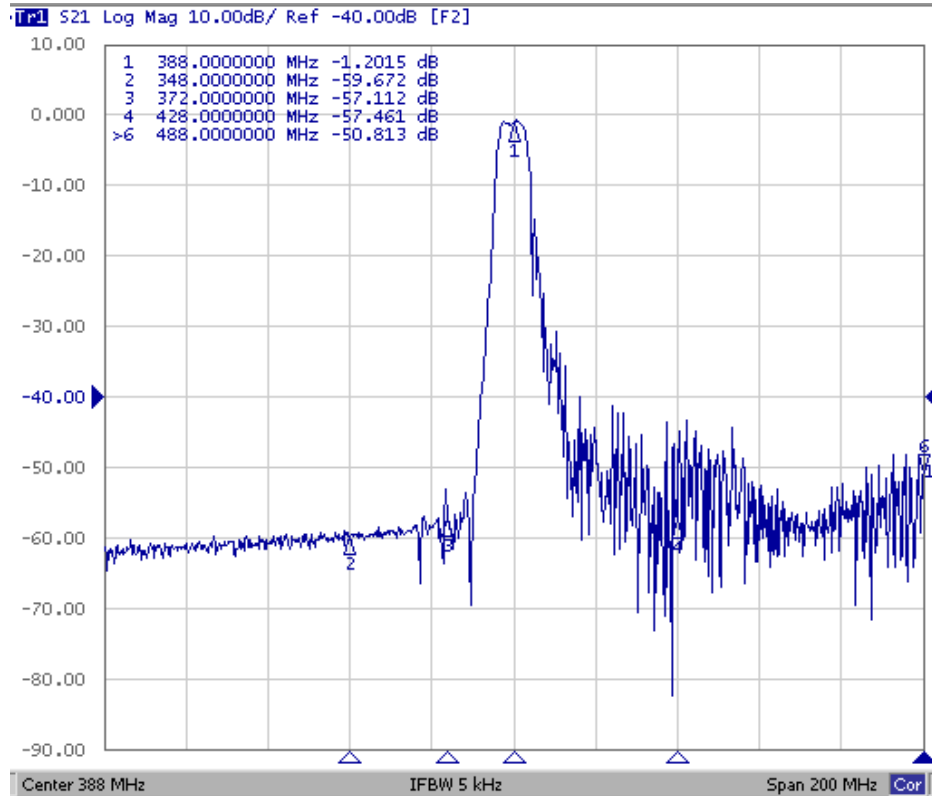


SAW Filter 388.0MHz
Part No: MP04690

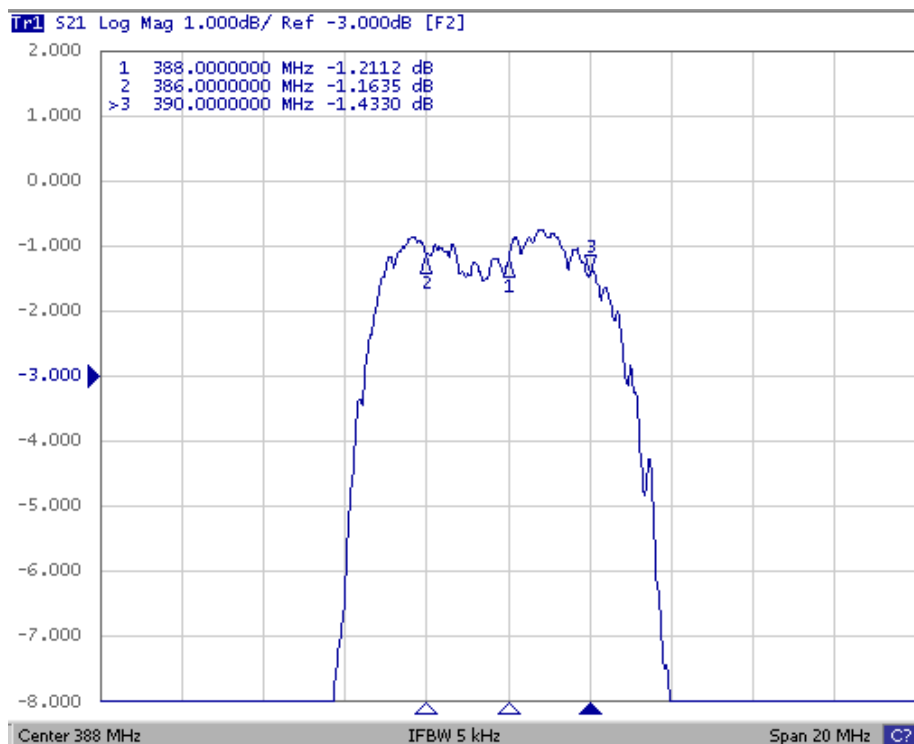
Model: TA1346A
Rev No: 1

D. FREQUENCY CHARACTERISTICS:

1. Wideband response (span 200MHz)



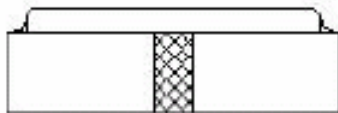
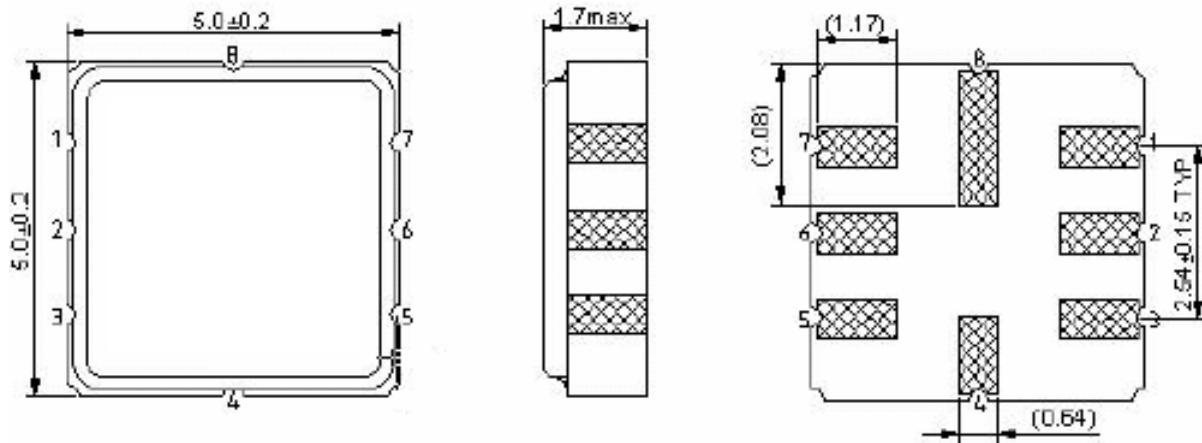
2. Narrow-band response (span 30MHz)



SAW Filter 388.0MHz
Part No: MP04690

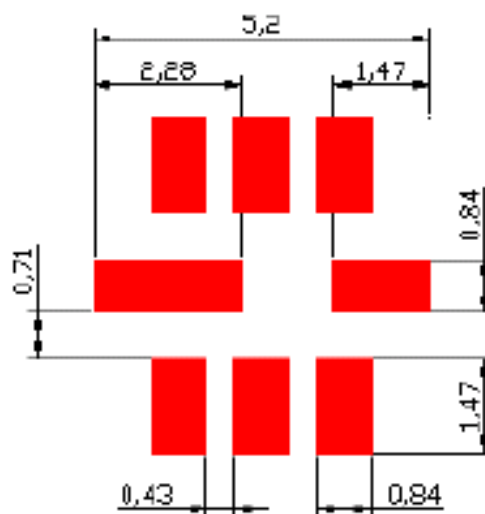
Model: TA1346A
Rev No: 1

E. OUTLINE DRAWING:



#2: Input
 #6: Output
 #1,3,4,5,7,8: Ground
 Unit: mm

F. PCB FOOTPRINT:

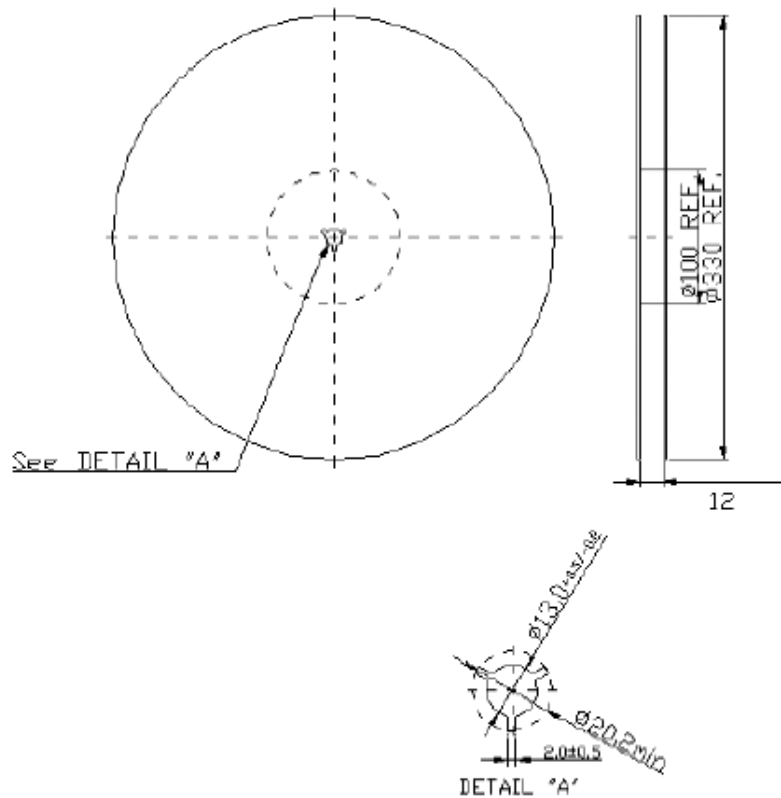


SAW Filter 388.0MHz
Part No: MP04690

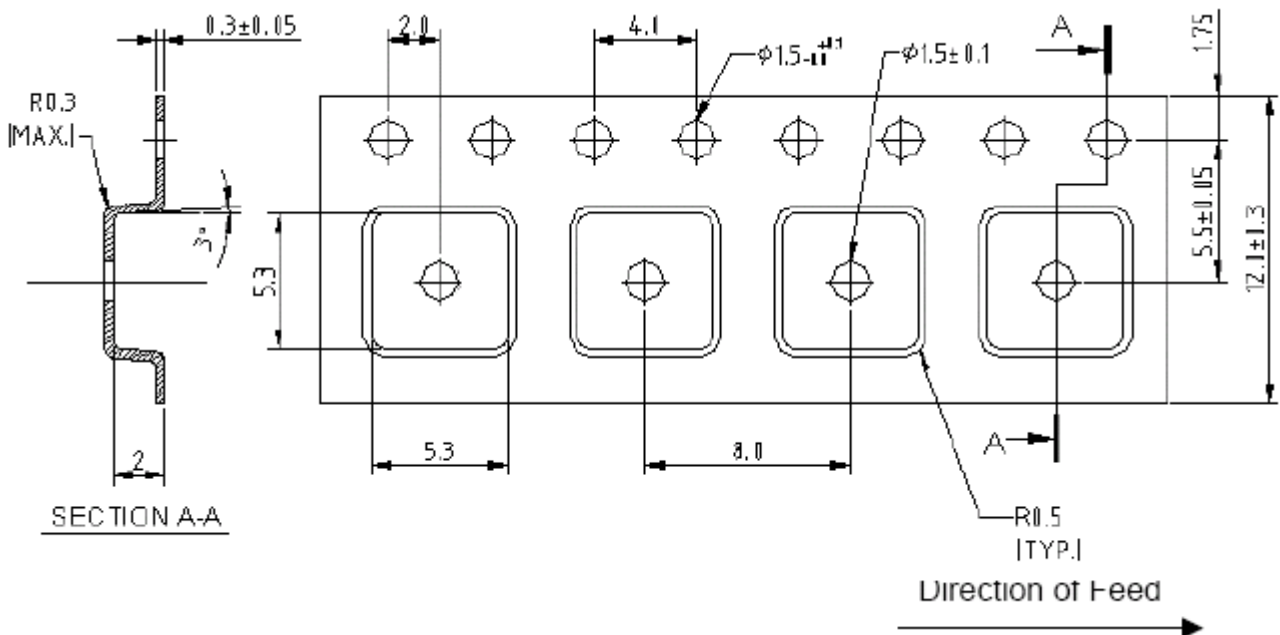
Model: TA1346A
Rev No: 1

G. PACKING:

1. Reel dimension



2. Tape dimension



SAW Filter 388.0MHz
Part No: MP04690

Model: TA1346A
Rev No: 1

H. RECOMMENDED REFLOW PROFILE:

