

**SAW Filter 262.0MHz**  
**Part No: MP04681**

**Model: TA1345A**  
**Rev No: 1**

**A. MAXIMUM RATING:**

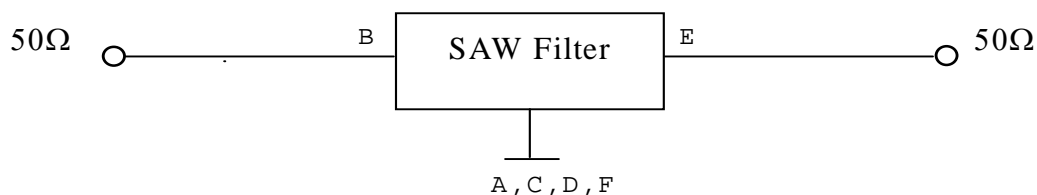
1. Input Power Level: 10dBm
2. DC voltage: 3V
3. Operating Temperature: -10°C to +50°C
4. Storage Temperature: -40°C to +85°C

**B. ELECTRICAL CHARACTERISTICS:**

Item	Unit	Min.	Typ.	Max.
Center frequency Fc	MHz	-	262	-
Insertion loss IL (260 ~ 264MHz)	dB	-	1.8	3
Amplitude ripple (260 ~ 264MHz)	dB	-	0.7	2
Attenuation (Reference level from 0dB)				
Fc -100 ~ Fc -40MHz	dB	40	47	-
Fc -40 ~ Fc -11MHz	dB	30	42	-
Fc +11 ~ Fc +40MHz	dB	15	35	-
Fc +40 ~ Fc +100MHz	dB	38	43	-
Source impedance Z <sub>S</sub>	Ω	-	50	-
Load impedance Z <sub>L</sub>	Ω	-	50	-

**C. MEASUREMENT CIRCUIT:**

HP Network analyzer

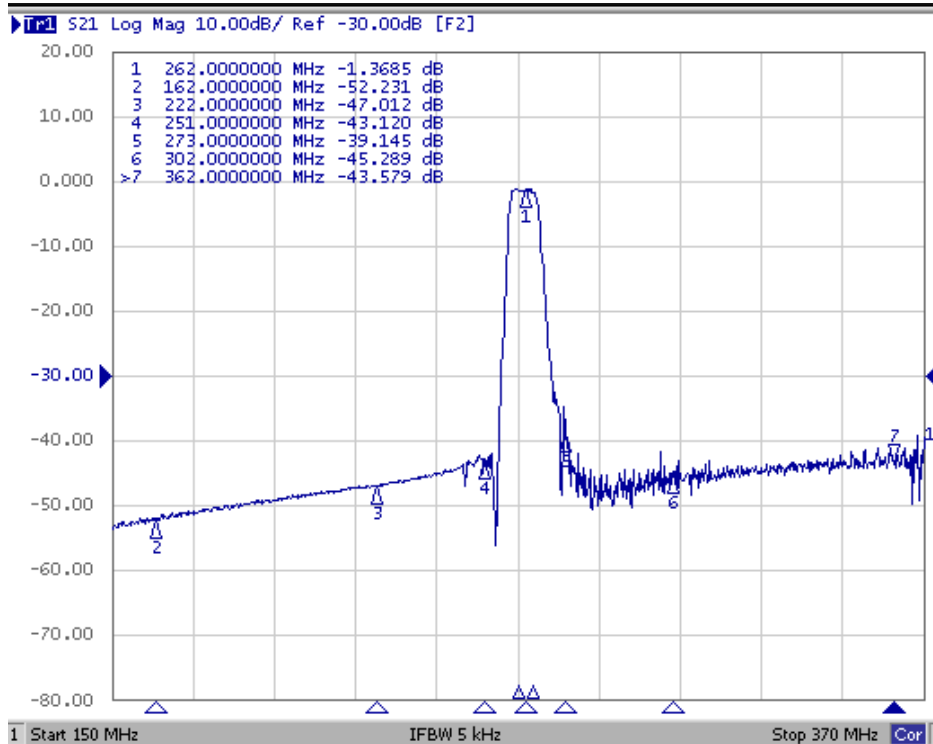


**SAW Filter 262.0MHz**  
**Part No: MP04681**

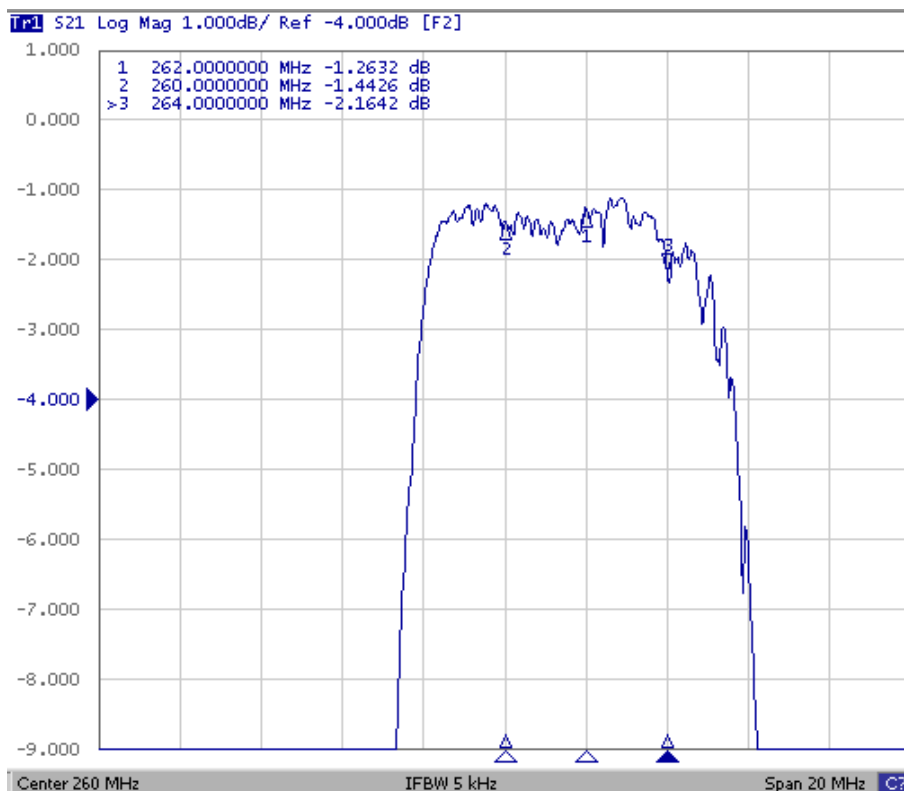
**Model: TA1345A**  
**Rev No: 1**

**D. FREQUENCY CHARACTERISTICS:**

1. Wideband response (span: 150 ~ 370MHz)



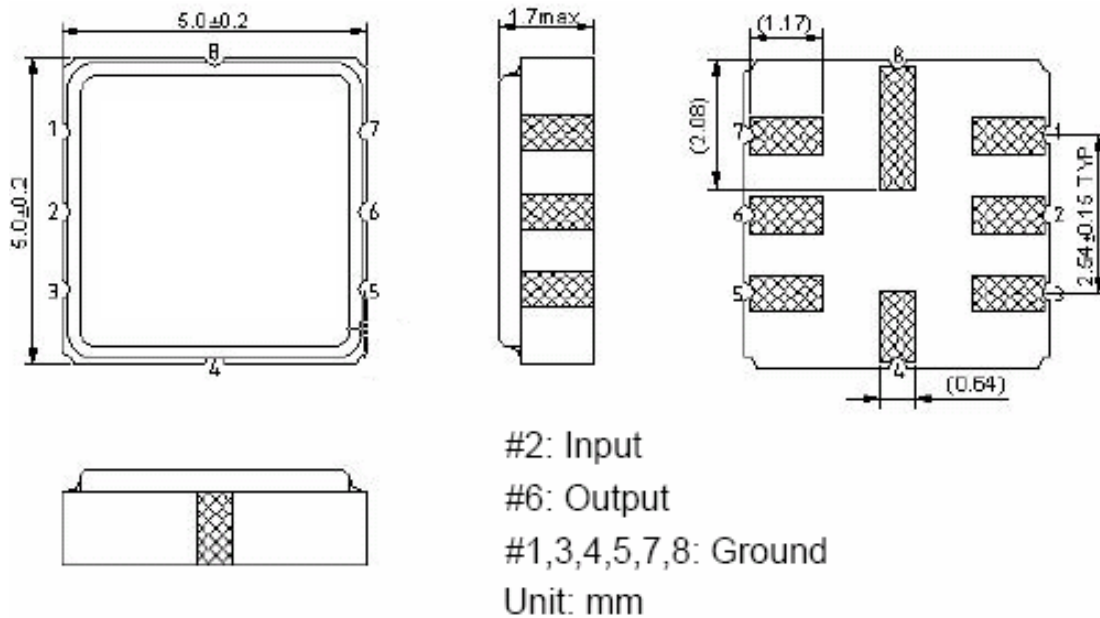
2. Narrow-band response (span 20MHz)



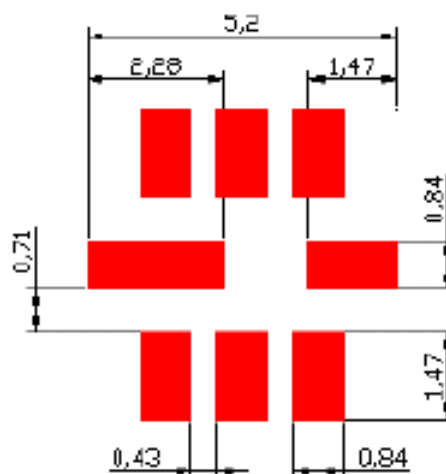
**SAW Filter 262.0MHz**  
**Part No: MP04681**

**Model: TA1345A**  
**Rev No: 1**

**E. OUTLINE DRAWING:**



**F. PCB FOOTPRINT:**

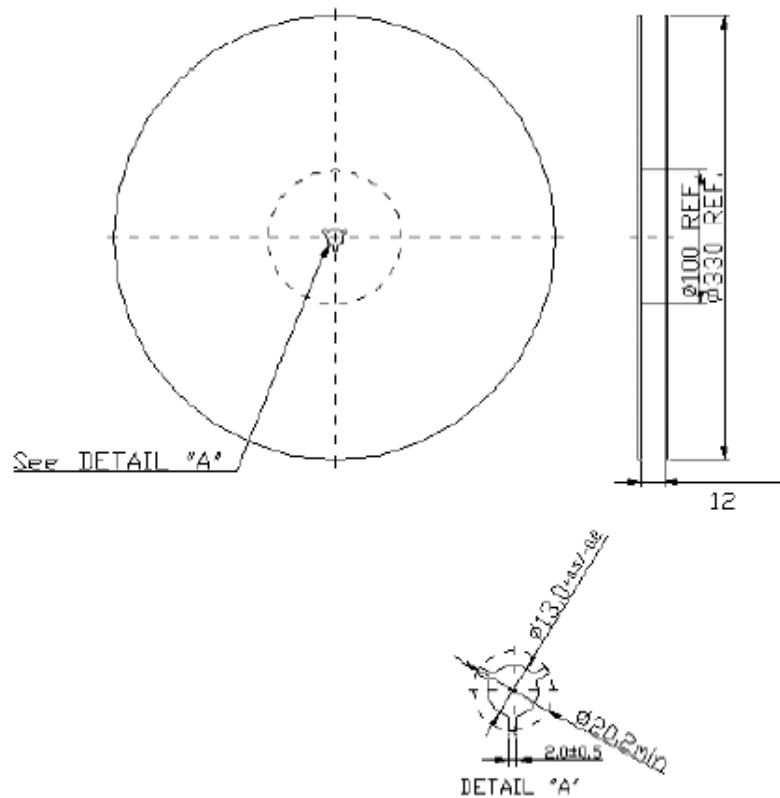


**SAW Filter 262.0MHz**  
**Part No: MP04681**

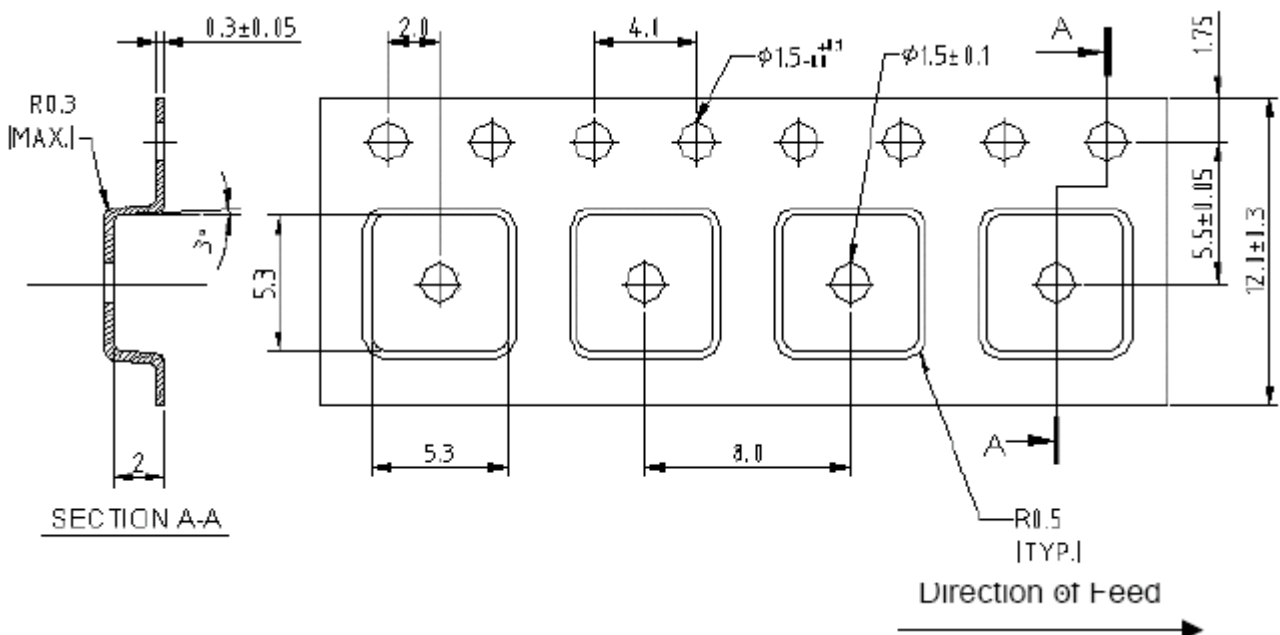
**Model: TA1345A**  
**Rev No: 1**

**G. PACKING:**

1. Reel Dimension



2. Tape dimension



**SAW Filter 262.0MHz**  
**Part No: MP04681**

**Model: TA1345A**  
**Rev No: 1**

**H. REFLOW PROFILE:**

