

**SAW Filter 495.0MHz**  
**Part No: MP04654**

**Model: TA1407A**  
**Rev No: 1**

**A. MAXIMUM RATING:**

Electrostatic Sensitive Device (ESD)

1. Input Power Level: 10dBm
2. DC Voltage: 3V
3. Operating Temperature: -40°C to +85°C
4. Storage Temperature: -45°C to +85°C

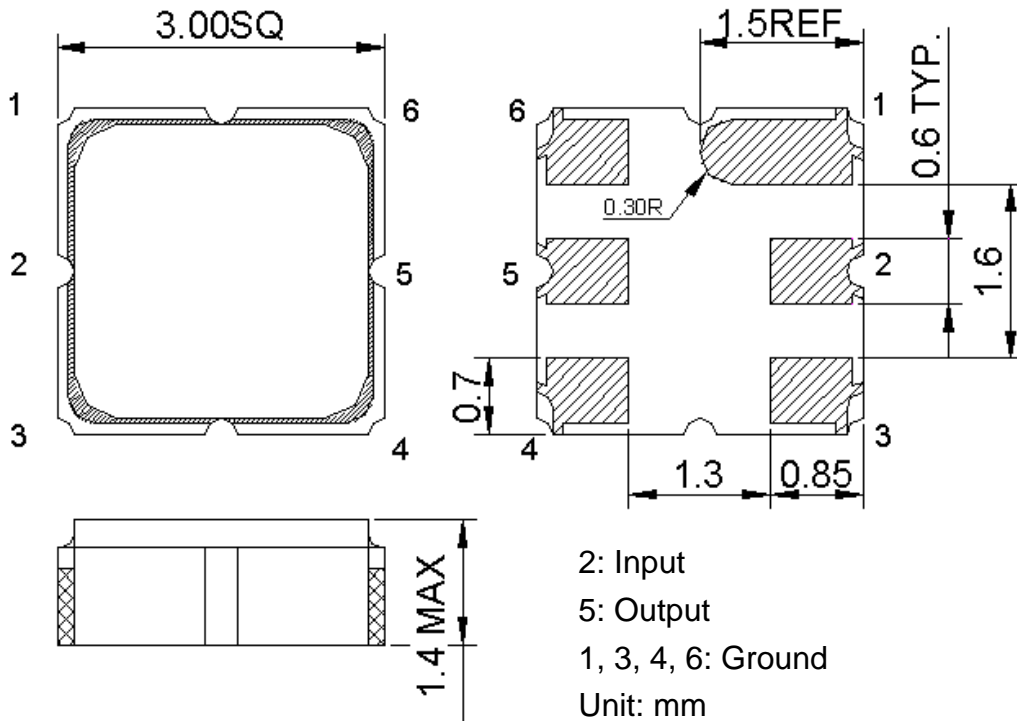
**B. ELECTRICAL CHARACTERISTICS:**

Item	Unit	Min.	Typ.	Max.	Note
Center Frequency Fc	MHz	-	495	-	-
Insertion Loss (490 ~ 500MHz) IL	dB	-	1.9	3.5	-
Amplitude Ripple (490 ~ 500MHz)	dB	-	0.6	1.5	-
VSWR (490 ~ 500MHz)		-	1.3	2.3	-
Attenuation (Reference level from 0dB)					
Fc -45.8 ~ Fc -39.8MHz	dB	50	58	-	-
Fc +39.8 ~ Fc +45.8MHz	dB	43	49.5	-	-
Temperature Coefficient of Frequency	ppm/°C	-	-36	-	-

**SAW Filter 495.0MHz**  
**Part No: MP04654**

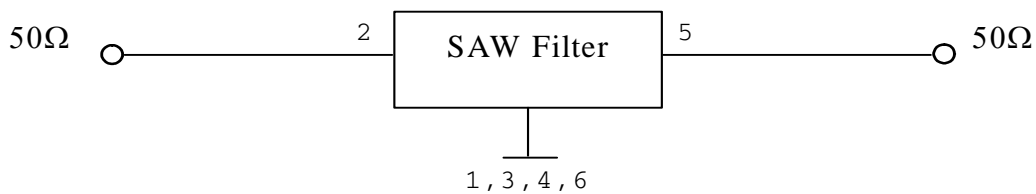
**Model: TA1407A**  
**Rev No: 1**

**C. OUTLINE DRAWING:**

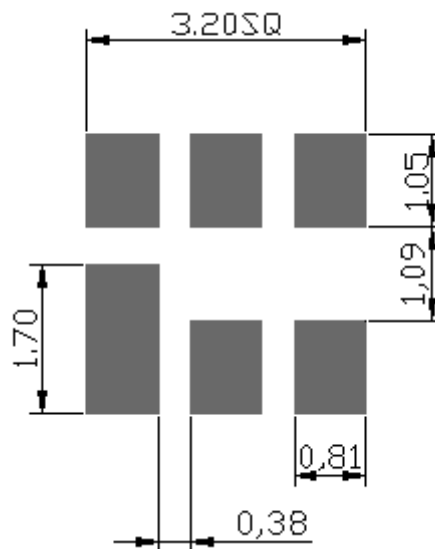


**D. MEASUREMENT CIRCUIT:**

HP Network analyzer



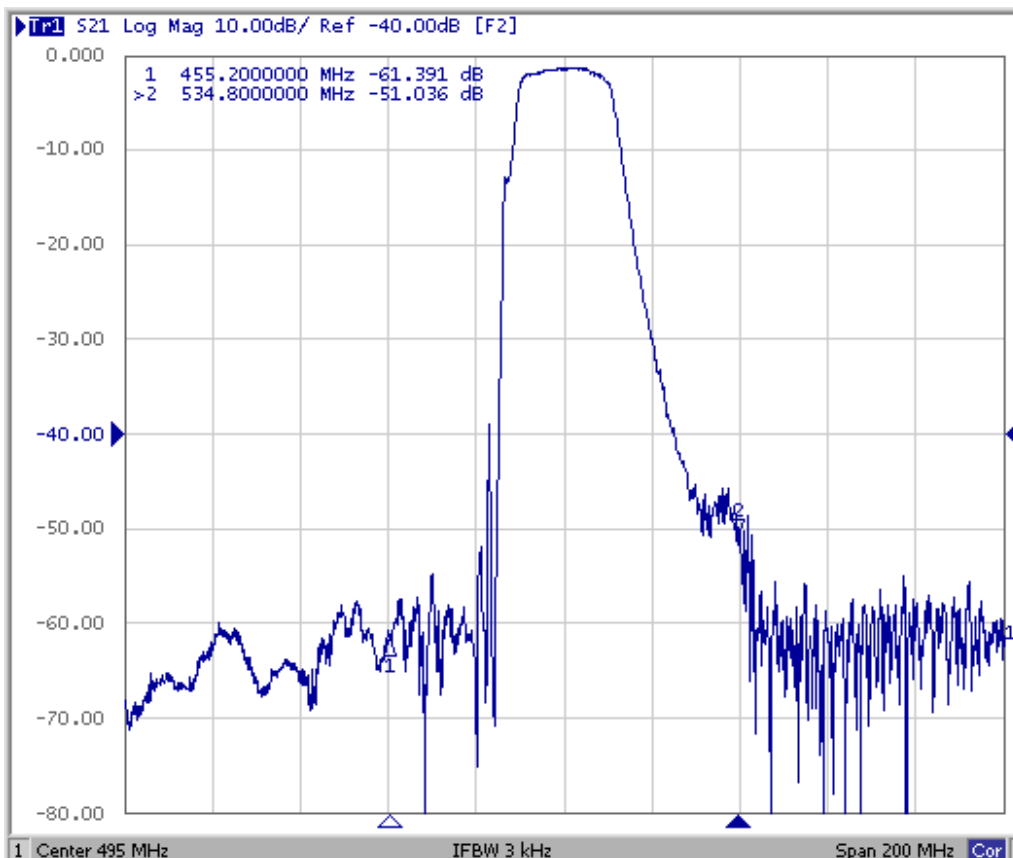
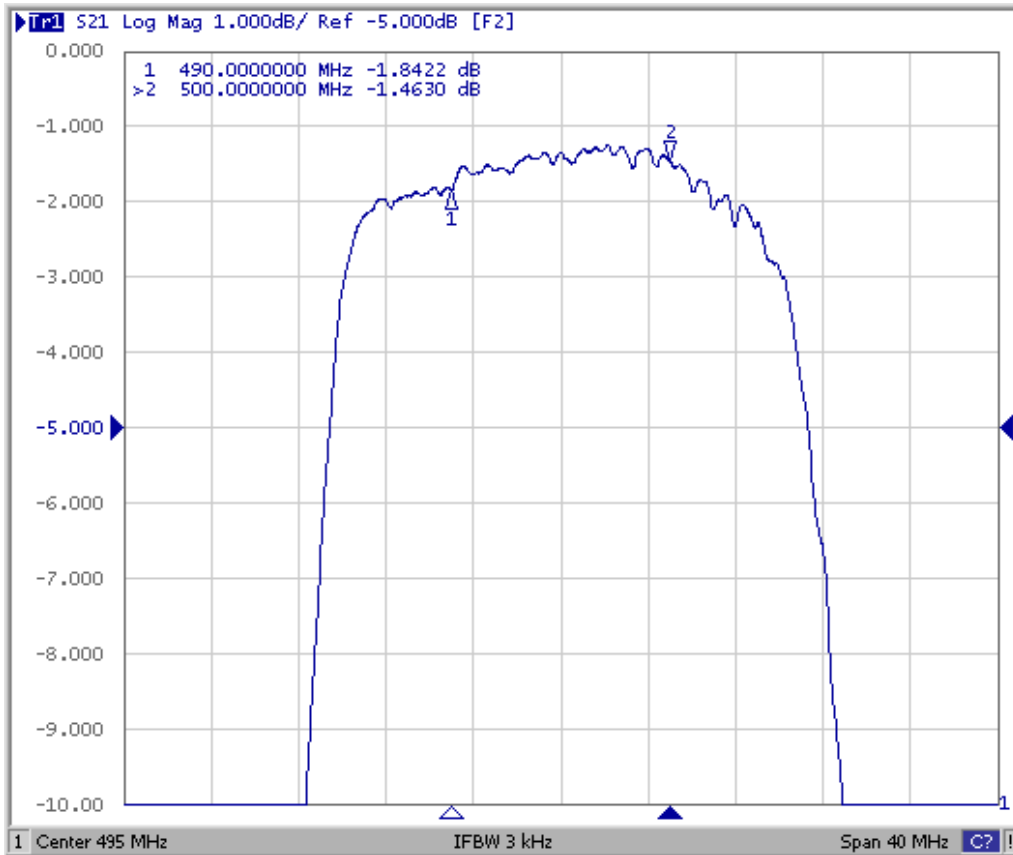
**E. PCB FOOTPRINT:**



**SAW Filter 495.0MHz**  
**Part No: MP04654**

**Model: TA1407A**  
**Rev No: 1**

**F. FREQUENCY CHARACTERISTICS:**

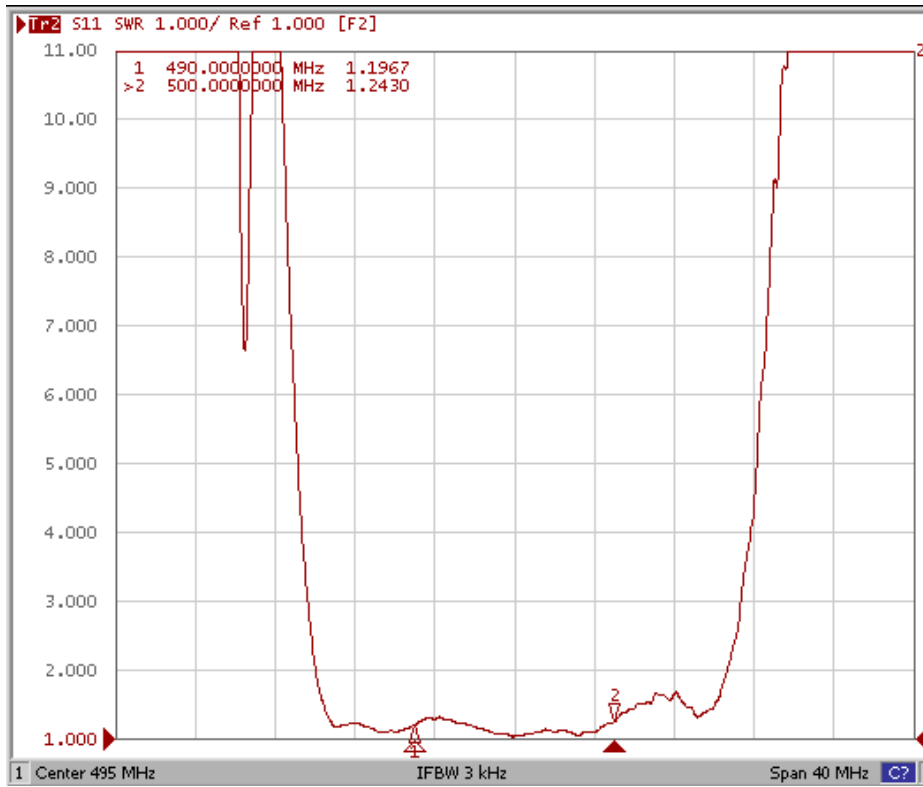


**SAW Filter 495.0MHz**  
**Part No: MP04654**

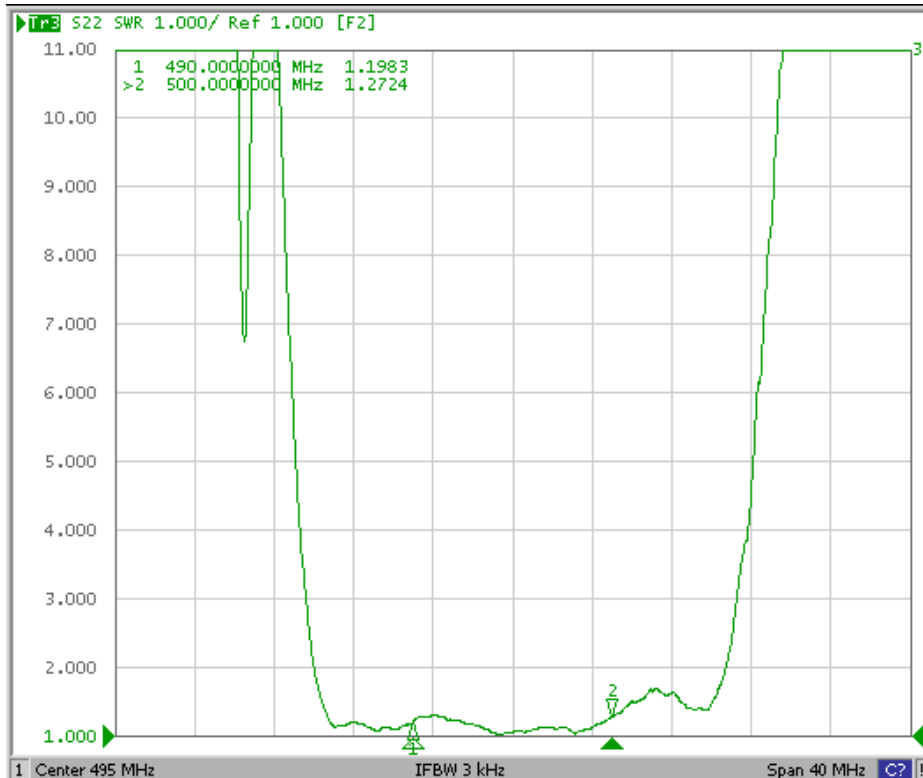
**Model: TA1407A**  
**Rev No: 1**

Reflection Functions

S11



S22



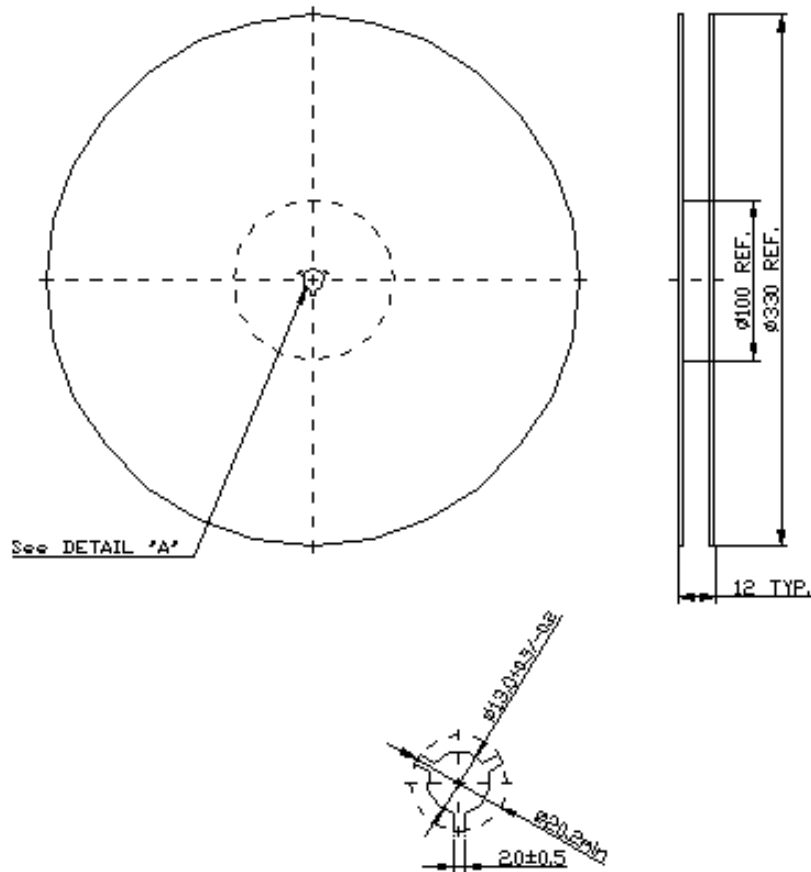
**SAW Filter 495.0MHz**  
**Part No: MP04654**

**Model: TA1407A**  
**Rev No: 1**

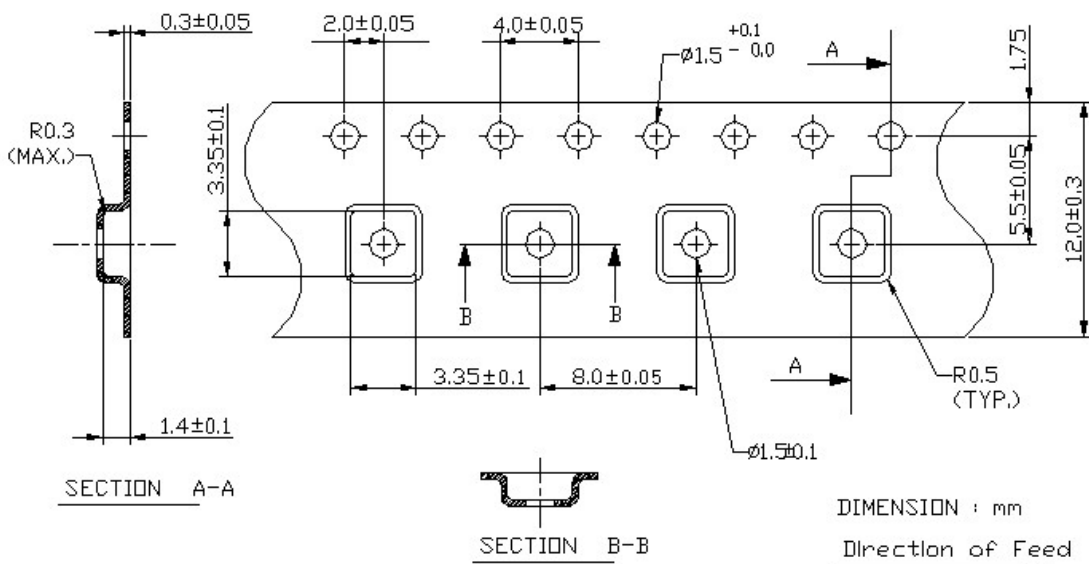
**G. PACKING:**

1. Reel Dimension

(Reel Count: 7" = 1000; 13" = 3000)



2. Tape Dimension



**SAW Filter 495.0MHz**  
**Part No: MP04654**

**Model: TA1407A**  
**Rev No: 1**

**H. RECOMMENDED REFLOW PROFILE:**

1. Preheating shall be fixed at 150 ~ 180°C for 60 ~ 90 seconds.
2. Ascending time to preheating temperature 150°C shall be 30 seconds min.
3. Heating shall be fixed at 220°C for 50 ~ 80 seconds and at 245~260°C peak (min. 10sec).
4. Time: 2 times.

