

SAW Filter 576.0MHz
Part No: MP04545

Model: TA1355A
Rev No: 1

A. MAXIMUM RATING:

Electrostatic Sensitive Device (ESD)

1. Input Power Level: 10dBm
2. DC voltage: 5V
3. Operating Temperature: -30°C to 60°C
4. Storage Temperature: -40°C to +85°C

B. CHARACTERISTICS:

Item	Unit	Min.	Typ.	Max.
Center frequency Fc	MHz	-	576	-
Amplitude ripple (564 ~ 588MHz)	dB	-	1.1	1.7
Insertion loss, IL (564 ~ 588MHz)	dB	-	2.4	3.0
Group Delay, GD (564 ~ 588MHz)	ns	-	52	200
Bandwidth @ -3dB		24	37.9	-
Attenuation (reference from 0dB)				
0.3 ~ 501MHz	dB	35	35	-
501 ~ 540MHz	dB	10	27	-
609 ~ 666MHz	dB	10	19	-
666 ~ 876MHz	dB	38	43	-
876 ~ 1026MHz	dB	33	38	-
Source impedance, ZS	Ω	-	50	-
Load impedance, ZL	Ω	-	50	-

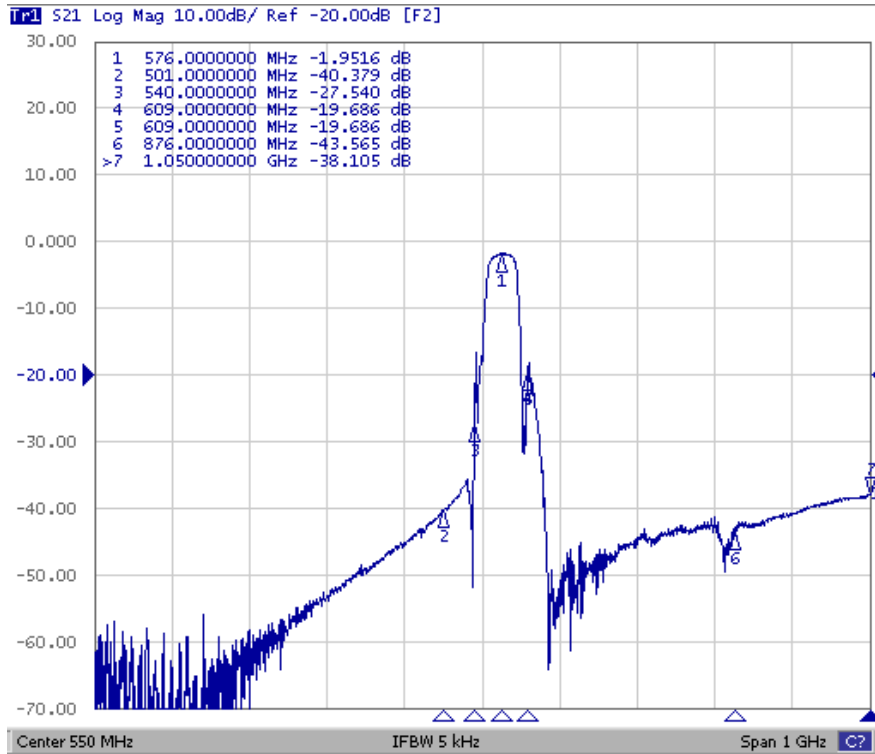
Note: No matching network required for operation at 50Ω

SAW Filter 576.0MHz
Part No: MP04545

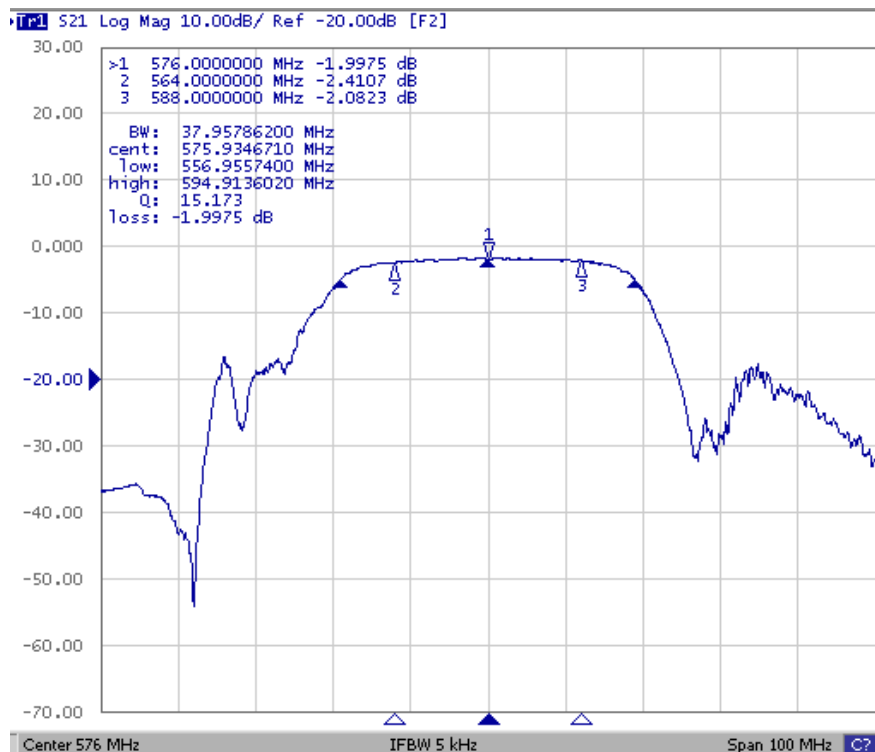
Model: TA1355A
Rev No: 1

C. FREQUENCY CHARACTERISTICS:

1. Wideband



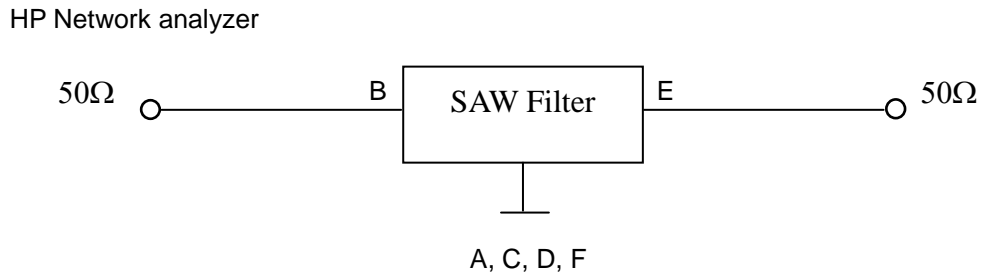
2. Passband



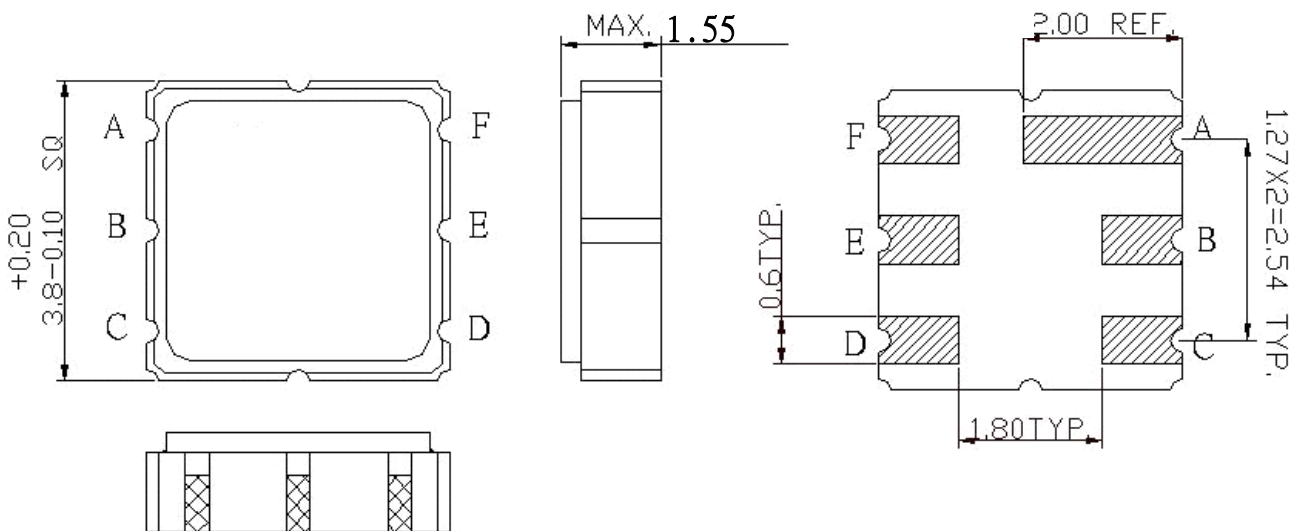
SAW Filter 576.0MHz
Part No: MP04545

Model: TA1355A
Rev No: 1

D. MEASUREMENT CIRCUIT:



E. OUTLINE DRAWING:



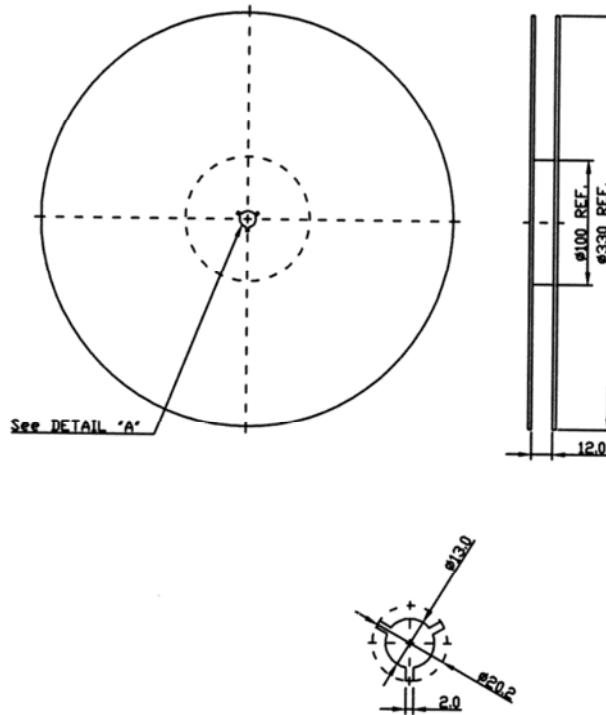
B: Input
E: Output
A, C, D, F: Ground
Unit: mm

SAW Filter 576.0MHz
Part No: MP04545

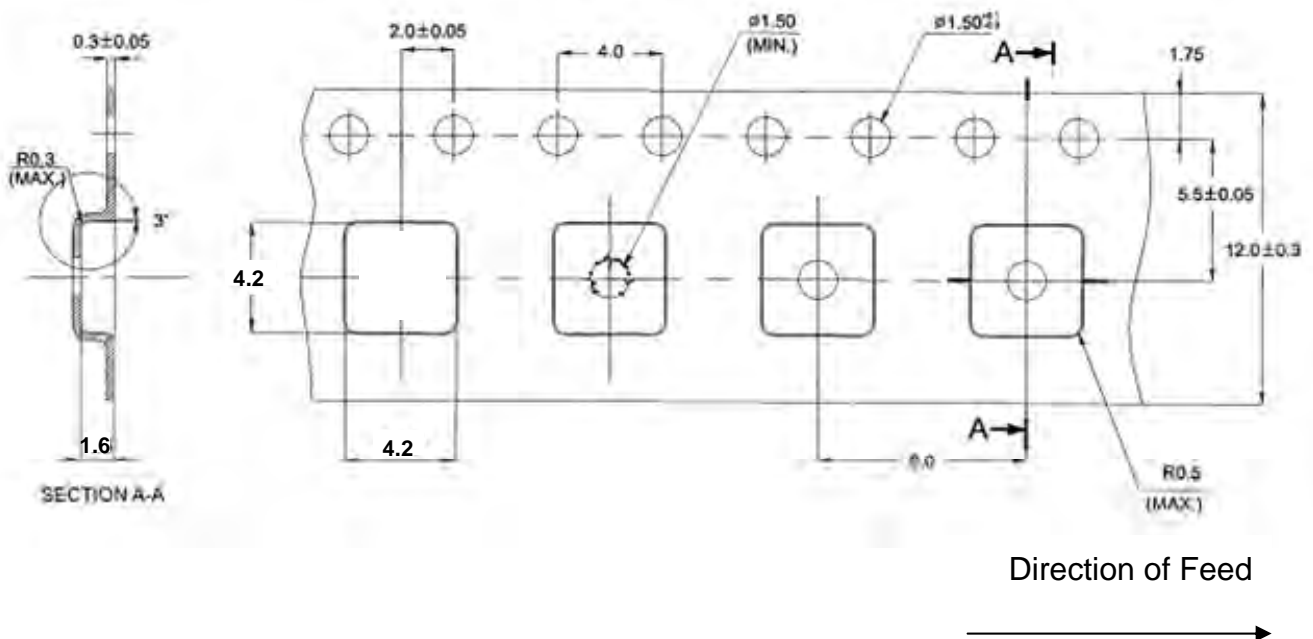
Model: TA1355A
Rev No: 1

F. PACKING:

1. Reel Dimension



2. Tape Dimension



SAW Filter 576.0MHz
Part No: MP04545

Model: TA1355A
Rev No: 1

G. RECOMMENDED REFLOW PROFILE:

