

SAW Filter 2162.50MHz

Model: TA0712A

Part No: MP04486

Rev No: 1

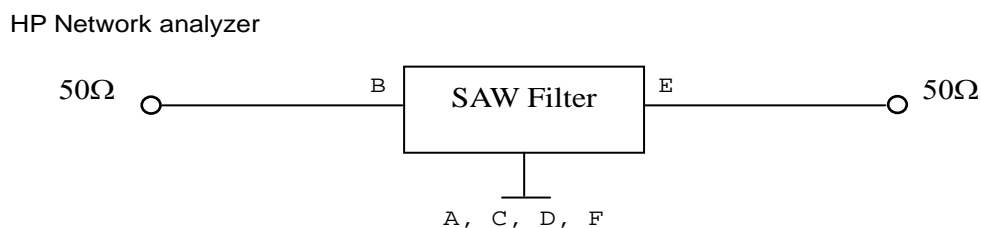
A. MAXIMUM RATING:

1. Input Power Level: 10dBm
2. DC Voltage: 3V
3. Operating Temperature: -20°C to +75°C
4. Storage Temperature: -40°C to +85°C

B. ELECTRICAL CHARACTERISTICS:

Item	Unit	Min.	Typ.	Max.	Note
Center Frequency Fc	MHz	-	2162.5	-	-
Insertion Loss (2155 ~ 2170MHz) IL	dB	-	1.9	4	-
Amplitude Ripple (2155 ~ 2170MHz)	dB	-	0.2	2	-
Group Delay Ripple (2155 ~ 2170MHz)	ns	-	4	16	
VSWR (2155 ~ 2170MHz)		-	1.2	2	-
Attenuation (Reference level from 0dB)					
DC ~ 1985MHz	dB	30	35	-	-
1985 ~ 2085MHz	dB	33	36	-	-
2230 ~ 2330MHz	dB	35	45	-	-
2330 ~ 3435MHz	dB	36	40	-	-
3435 ~ 4000MHz	dB	31	33	-	-

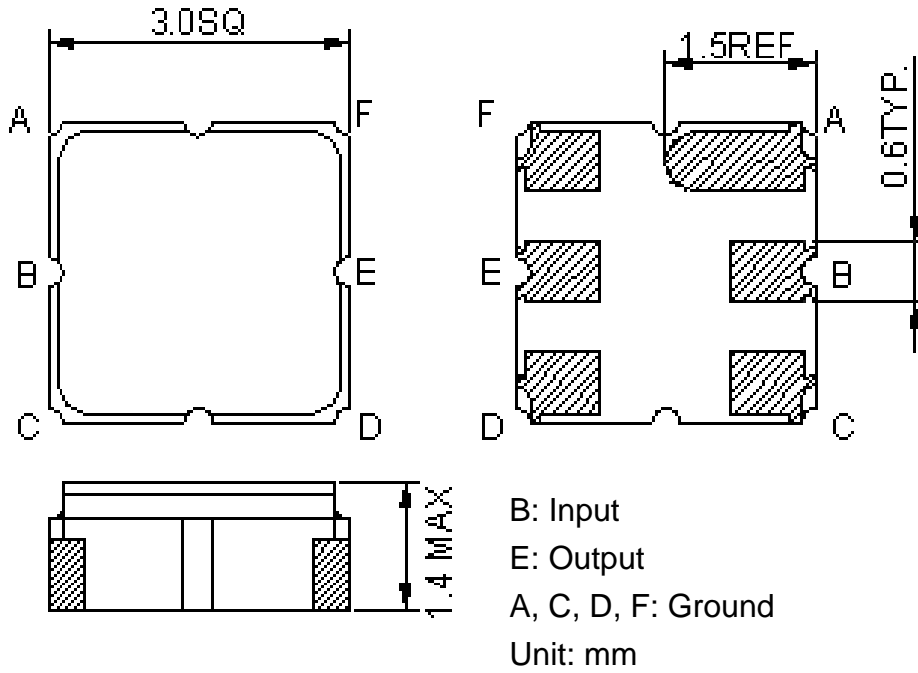
C. MEASUREMENT CIRCUIT:



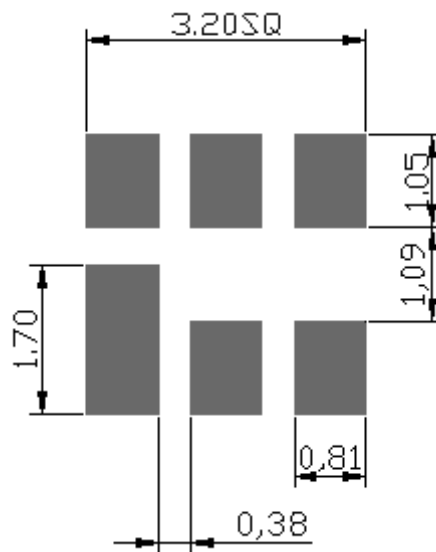
SAW Filter 2162.50MHz
Part No: MP04486

Model: TA0712A
Rev No: 1

D. OUTLINE DRAWING:



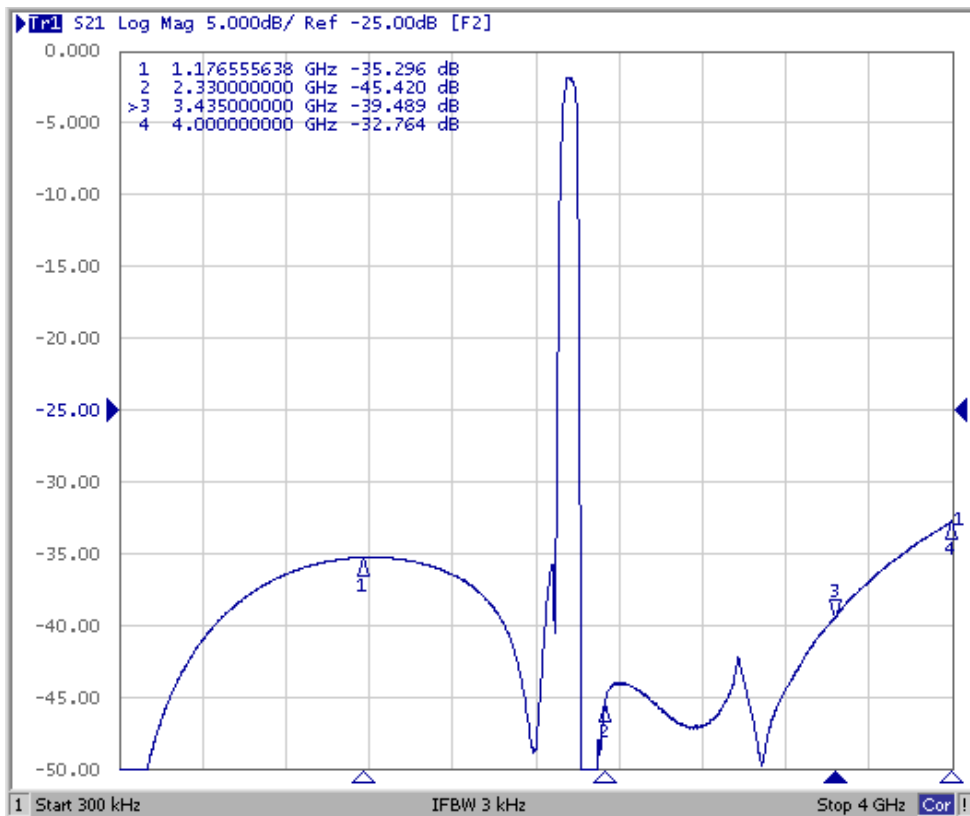
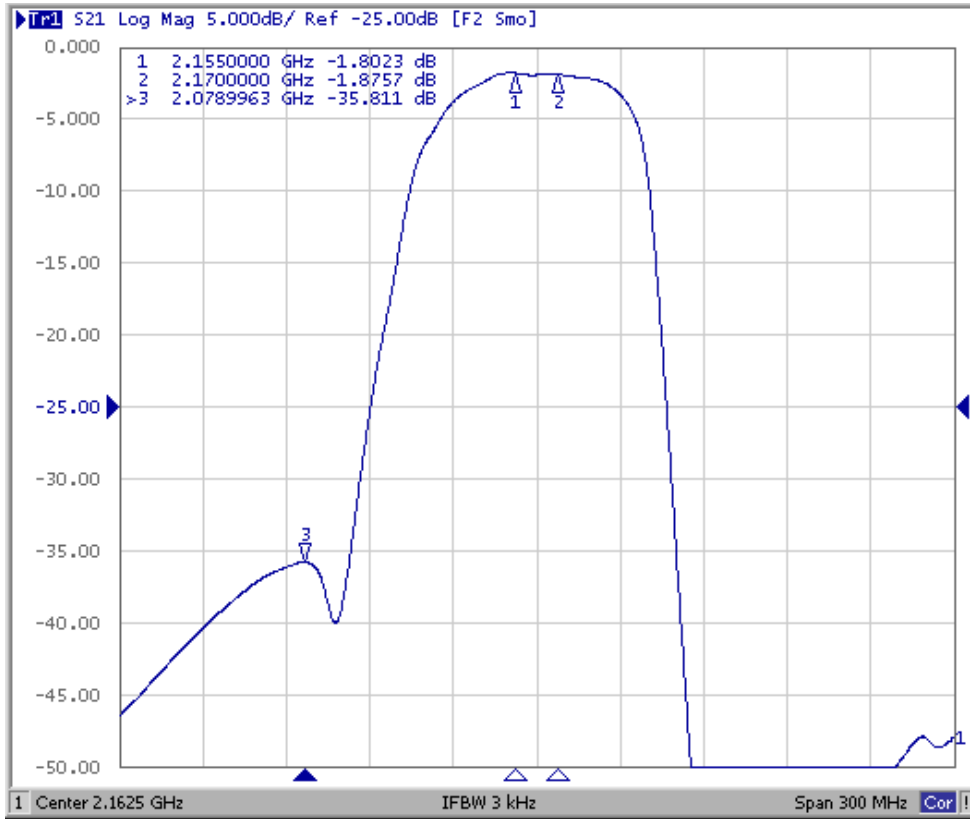
E. PCB FOOTPRINT:



SAW Filter 2162.50MHz
Part No: MP04486

Model: TA0712A
Rev No: 1

F. FREQUENCY CHARACTERISTICS:

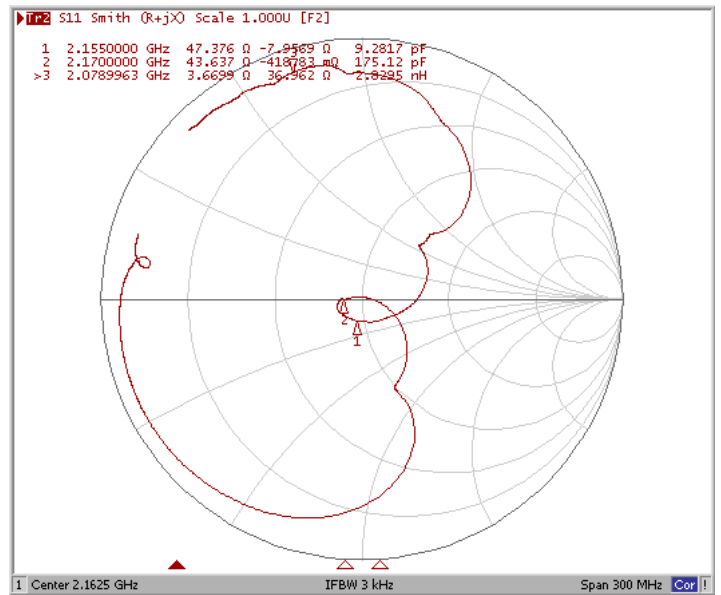
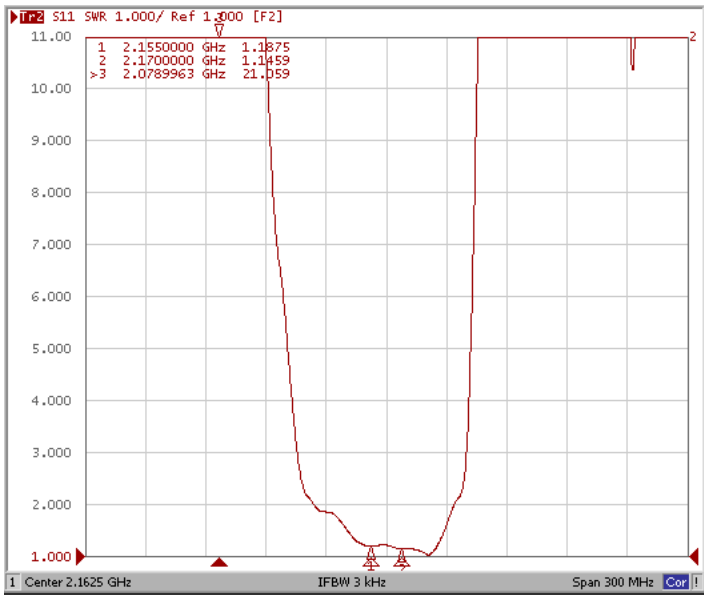


SAW Filter 2162.50MHz
Part No: MP04486

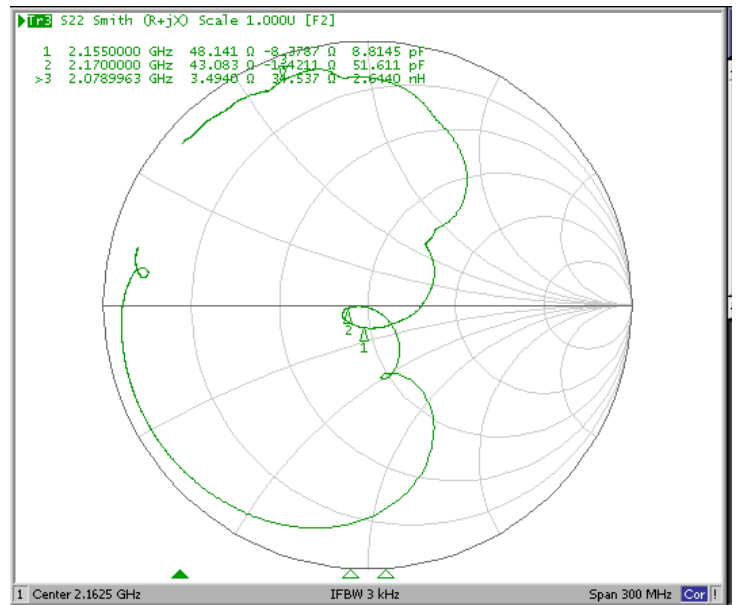
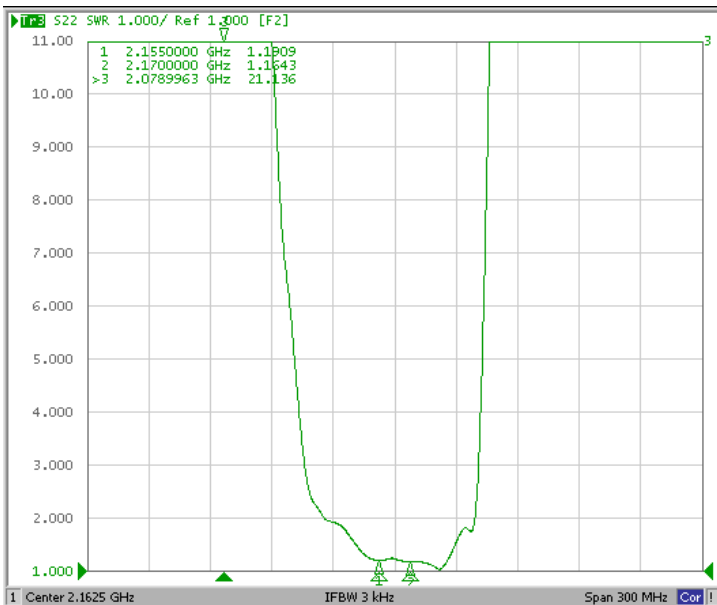
Model: TA0712A
Rev No: 1

1. Reflection Functions:

S11



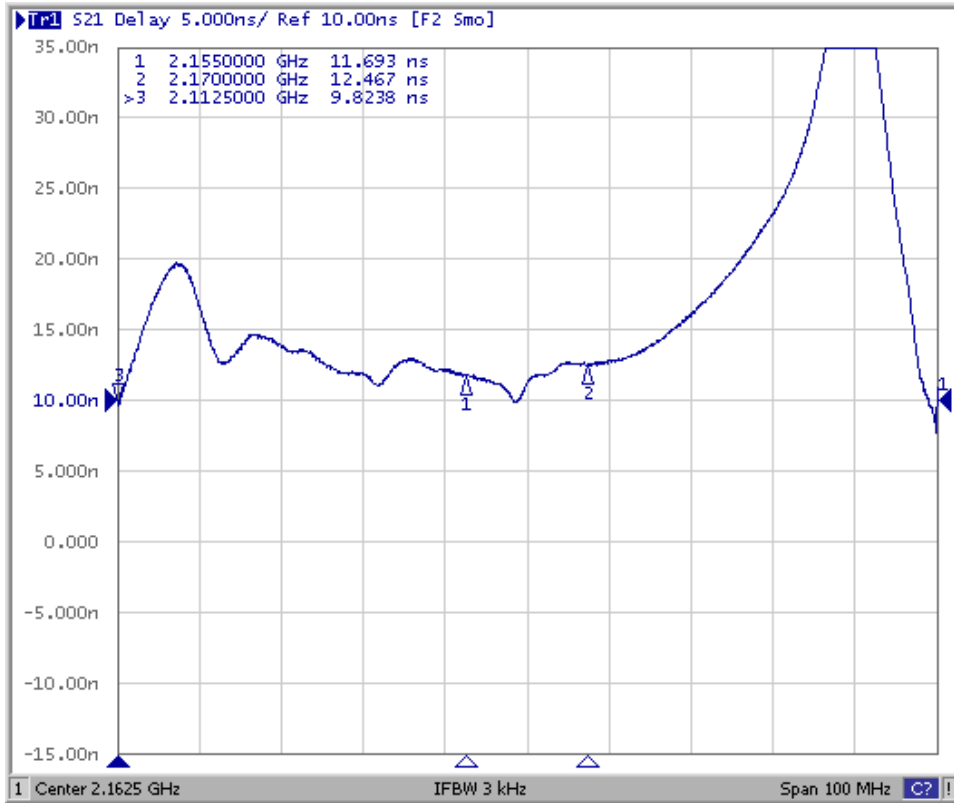
S22



SAW Filter 2162.50MHz
Part No: MP04486

Model: TA0712A
Rev No: 1

2. Group Delay:



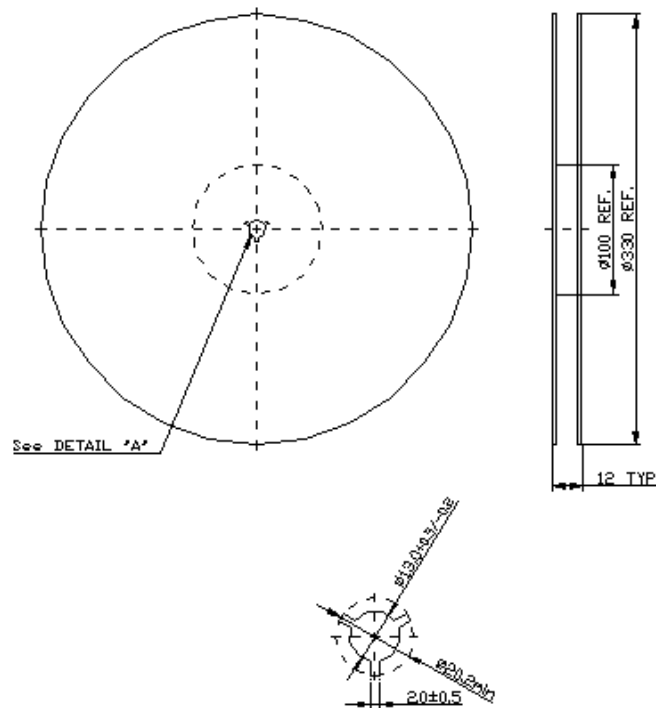
SAW Filter 2162.50MHz
Part No: MP04486

Model: TA0712A
Rev No: 1

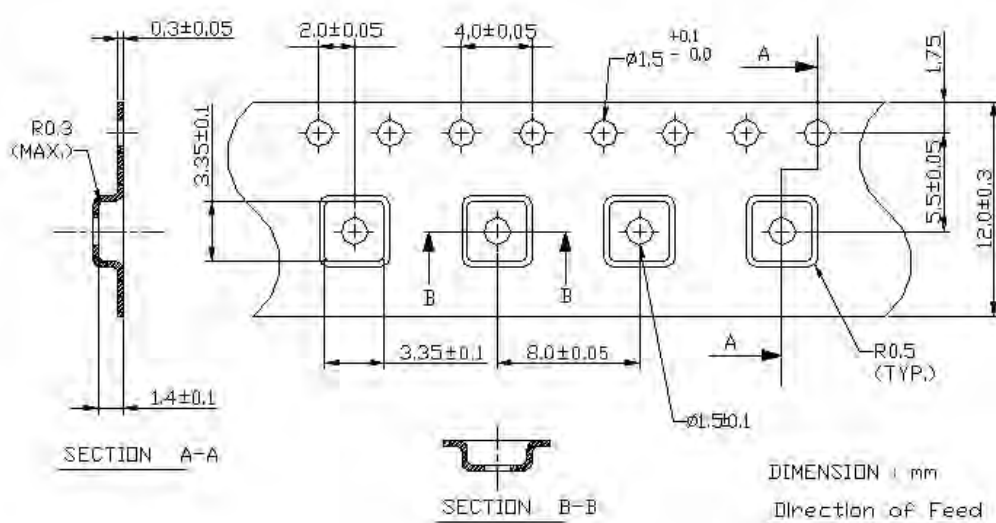
G. PACKING:

1. Reel Dimension

(Reel Count: 7" = 1000; 13" = 3000)



2. Tape Dimension



SAW Filter 2162.50MHz
Part No: MP04486

Model: TA0712A
Rev No: 1

H. RECOMMENDED REFLOW PROFILE:

