

**SAW Filter 945.0MHz**  
**Part No: MP04349**

**Model: TA0910A**  
**Rev No: 1**

**A. MAXIMUM RATING:**

1. Input Power Level: 10dBm
2. DC voltage: 3V
3. Operating Temperature: -20°C to 70°C
4. Storage Temperature: -40°C to +85°C

**B. CHARACTERISTICS:**

Item	Unit	Min.	Typ.	Max.
Center frequency Fc MHz		-	945	-
Insertion loss 930 ~ 960MHz IL	dB	-	2.6	4.4
Amplitude ripple 930 ~ 960MHz	dB	-	0.9	2.0
Passband Bandwidth 2dB BW	MHz	30	42	-
Attenuation (Reference level from 0dB)				
795MHz	dB	40	63	-
900MHz	dB	30	56	-
990MHz	dB	25	32	-
1095MHz	dB	40	55	-
Source impedance Z <sub>S</sub>	Ω	-	50	-
Load impedance Z <sub>L</sub>	Ω	-	50	-

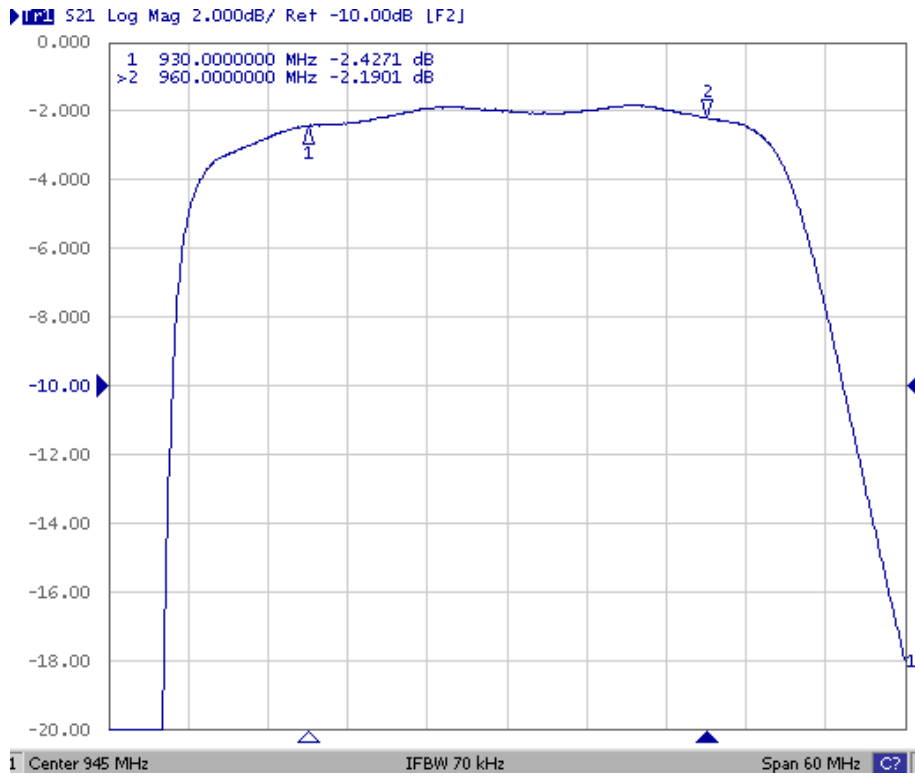
Note: No matching network required for operation at 50Ω

**SAW Filter 945.0MHz**  
**Part No: MP04349**

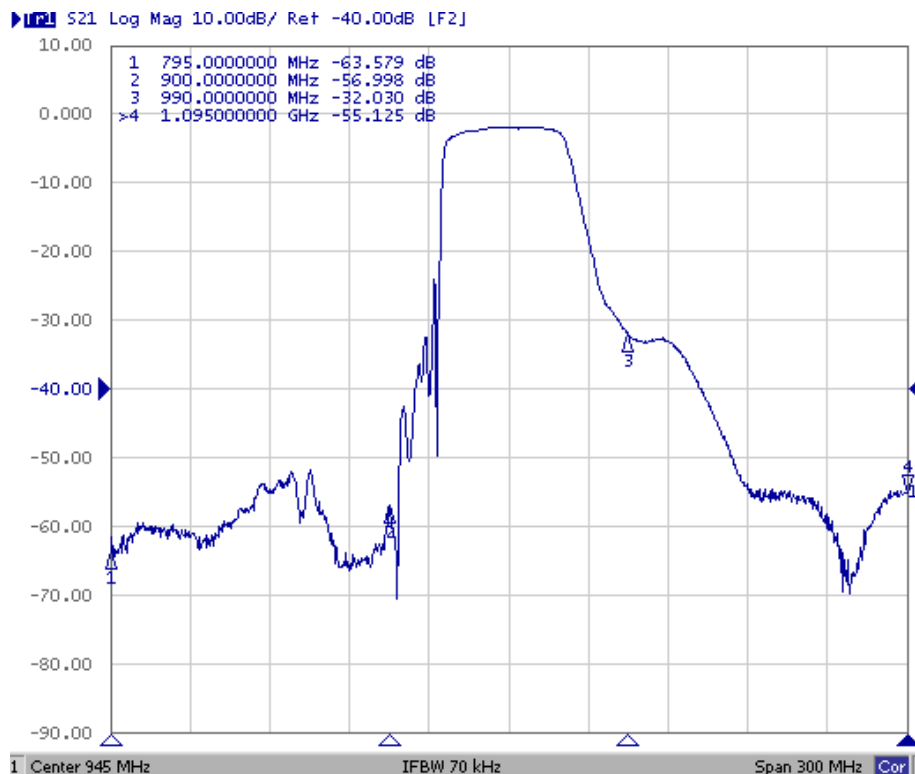
**Model: TA0910A**  
**Rev No: 1**

**C. FREQUENCY CHARACTERISTICS:**

**1. Transfer Function**



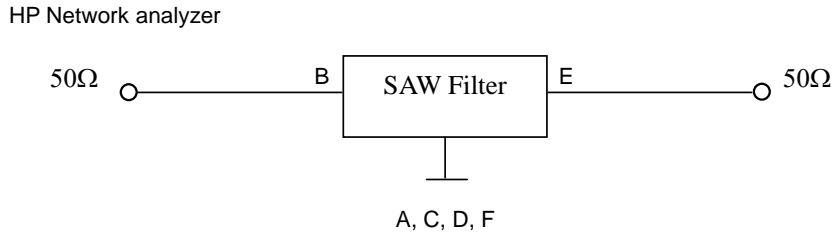
**2. Wideband**



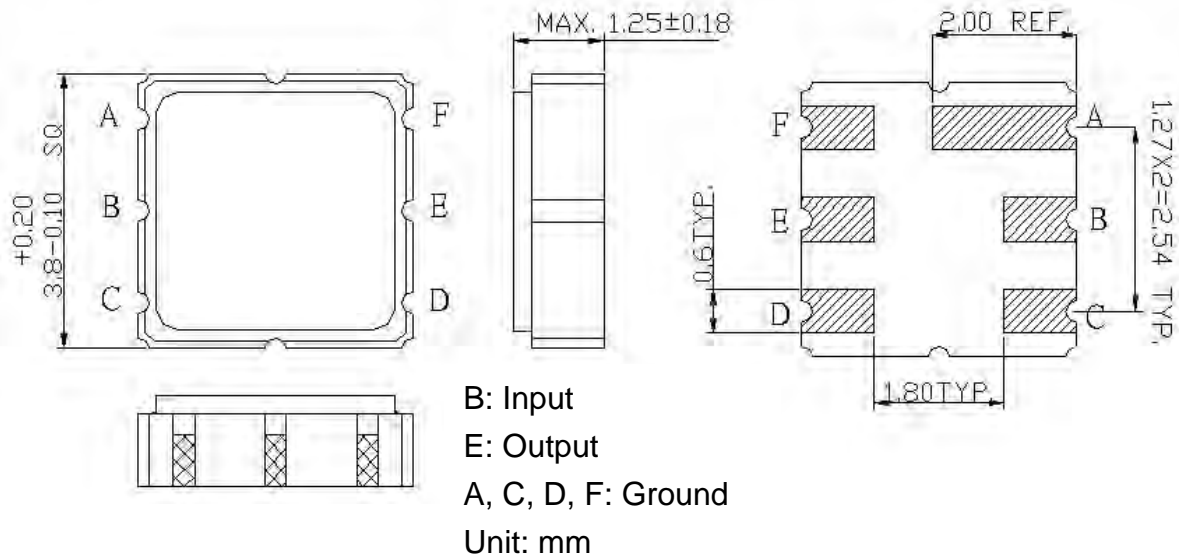
**SAW Filter 945.0MHz**  
**Part No: MP04349**

**Model: TA0910A**  
**Rev No: 1**

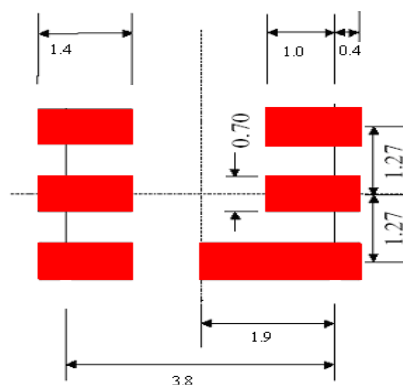
**D. MEASUREMENT CIRCUIT:**



**E. OUTLINE DRAWING:**



**F. PCB FOOTPRINT:**

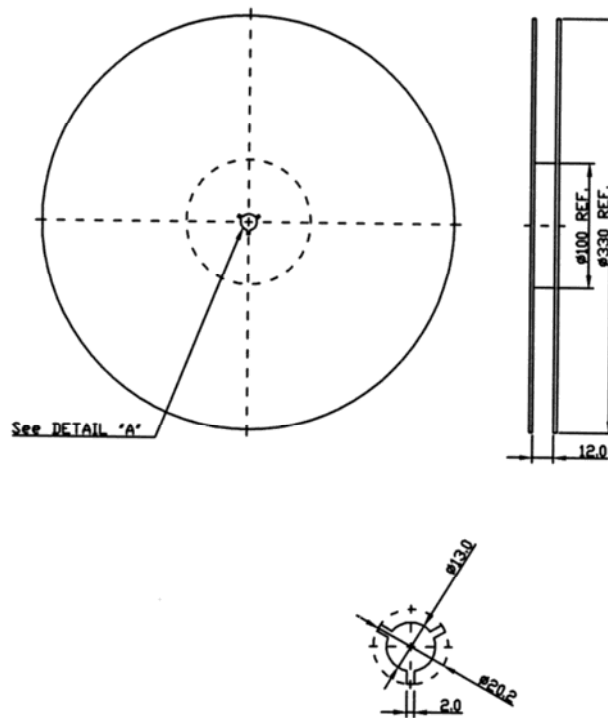


**SAW Filter 945.0MHz**  
**Part No: MP04349**

**Model: TA0910A**  
**Rev No: 1**

**G. PACKING:**

1. Reel Dimension



2. Tape Dimension

