

SAW Filter 629.0MHz
Part No: MP04213

Model: TA1006A
Rev No: 1

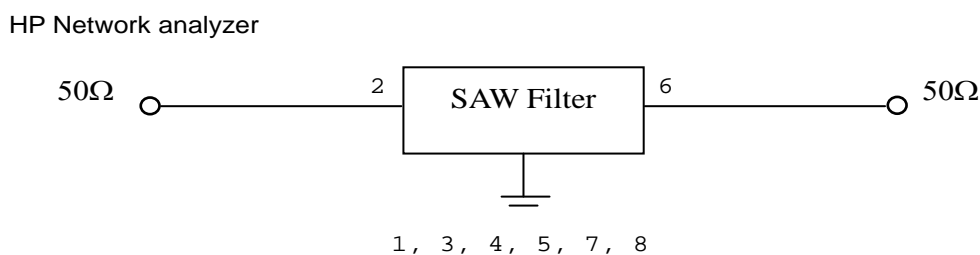
A. MAXIMUM RATING:

1. Input Power Level: 10dBm
2. DC Voltage: 3V
3. Operating Temperature: -20°C to +75°C
4. Storage Temperature: -40°C to +85°C

B. ELECTRICAL CHARACTERISTICS:

Item	Unit	Min.	Typ.	Max.
Center frequency Fc	MHz	-	629	-
Insertion loss (620 ~ 638MHz) IL	dB	-	2.3	4.5
Amplitude Ripple (variation over 6MHz)	dB	-	0.8	1.0
Group Delay Variation (620 ~ 638MHz)	ns	-	34	45
Attenuation (Reference level from 0dB)				
0 ~ 530MHz	dB	30	55	-
530 ~ 560MHz	dB	45	53	-
720 ~ 1000MHz	dB	30	49	-
1000 ~ 1500MHz	dB	30	37	-
Temperature Coefficient of Frequency	ppm/°C	-	-35	-

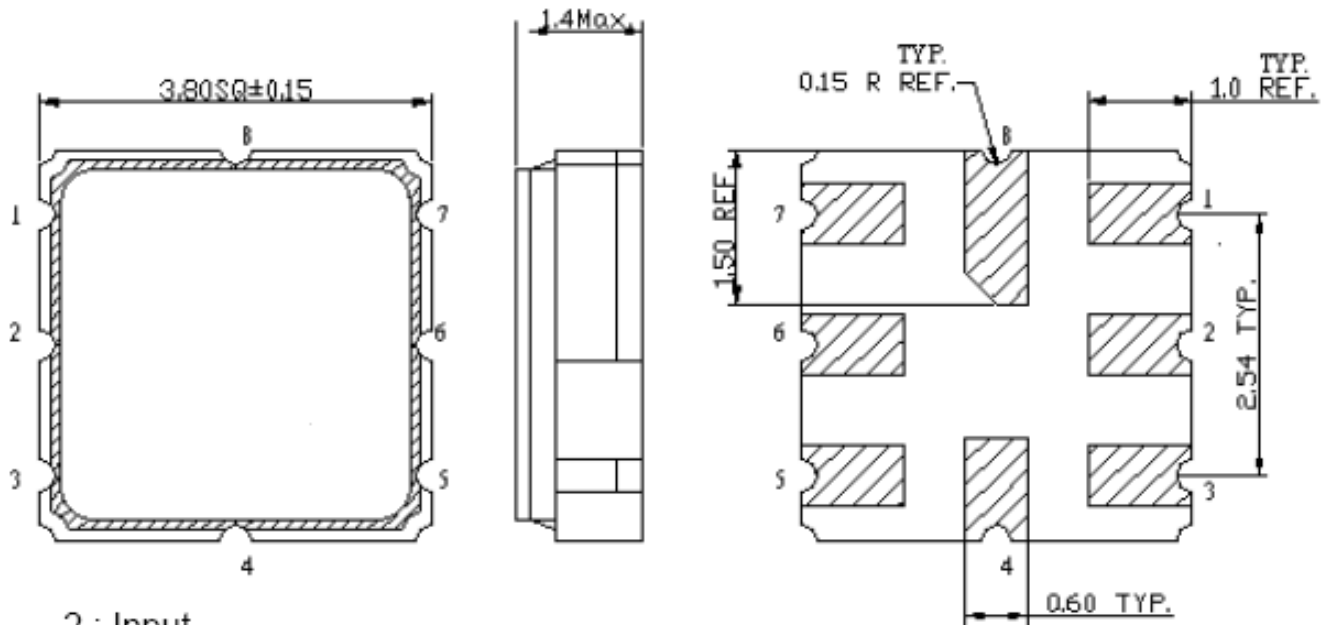
C. MEASUREMENT CIRCUIT:



SAW Filter 629.0MHz
Part No: MP04213

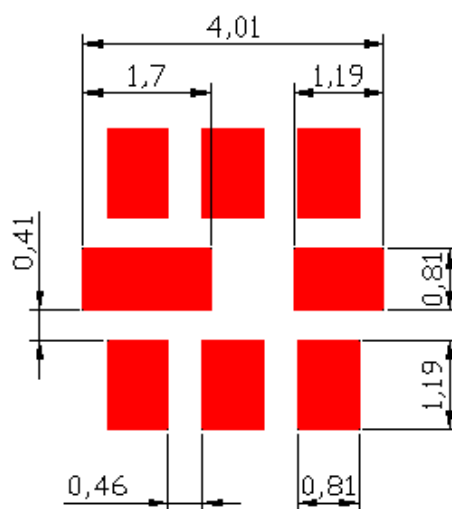
Model: TA1006A
Rev No: 1

D. OUTLINE DRAWING:



2 : Input
 6: Output
 1,3,4,5,7,8: Ground

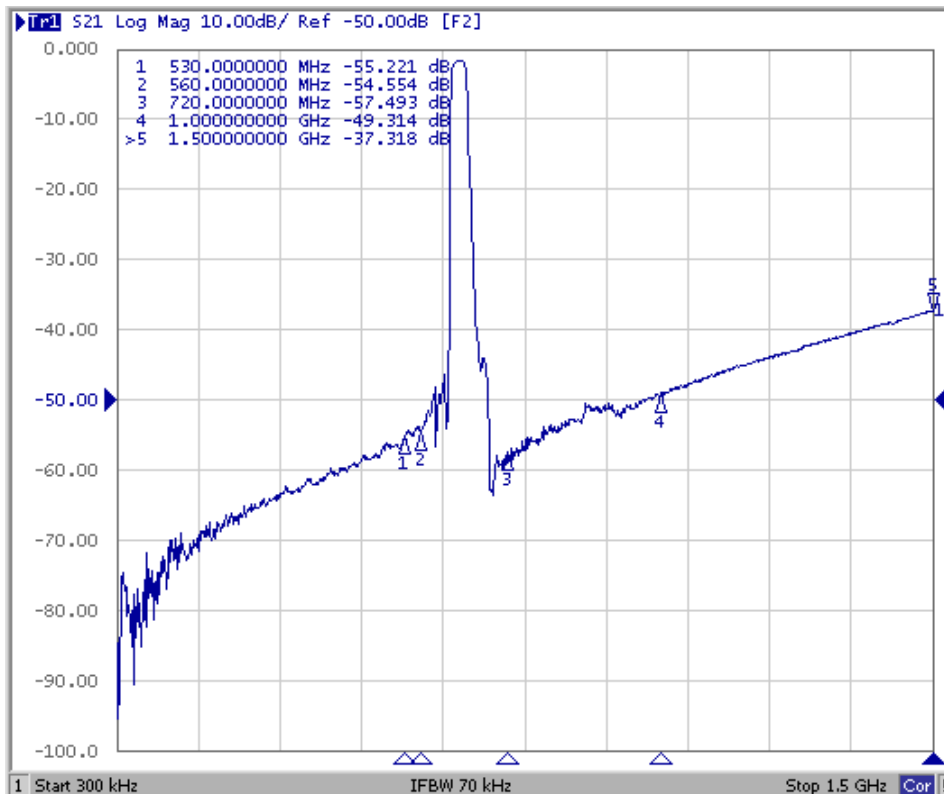
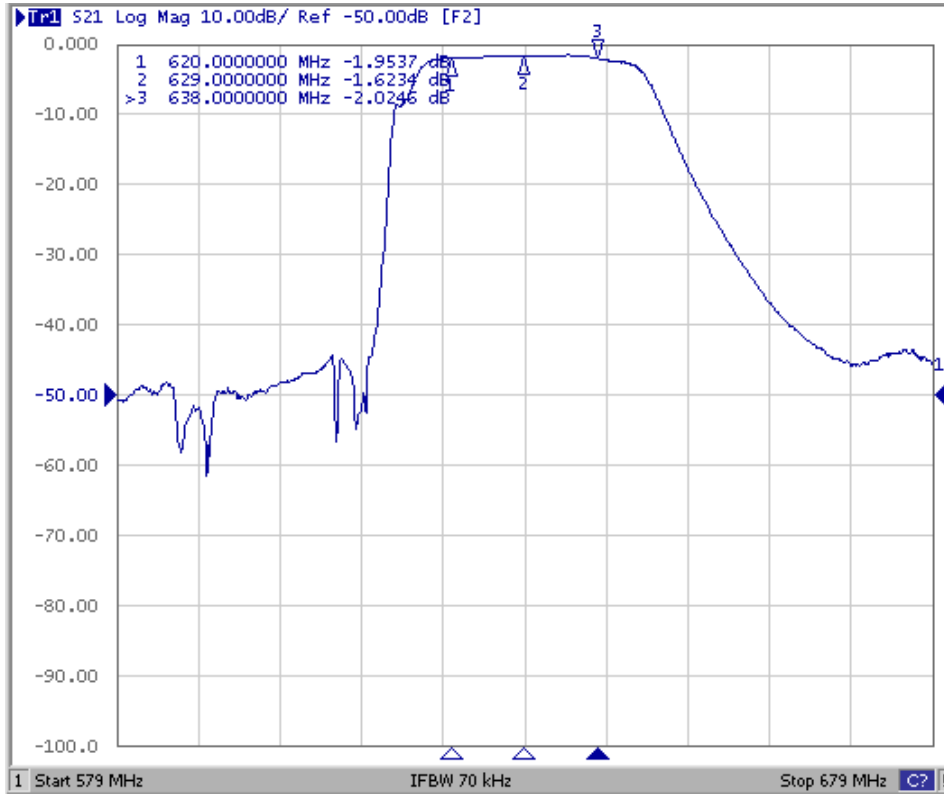
E. PCB FOOTPRINT:



SAW Filter 629.0MHz
Part No: MP04213

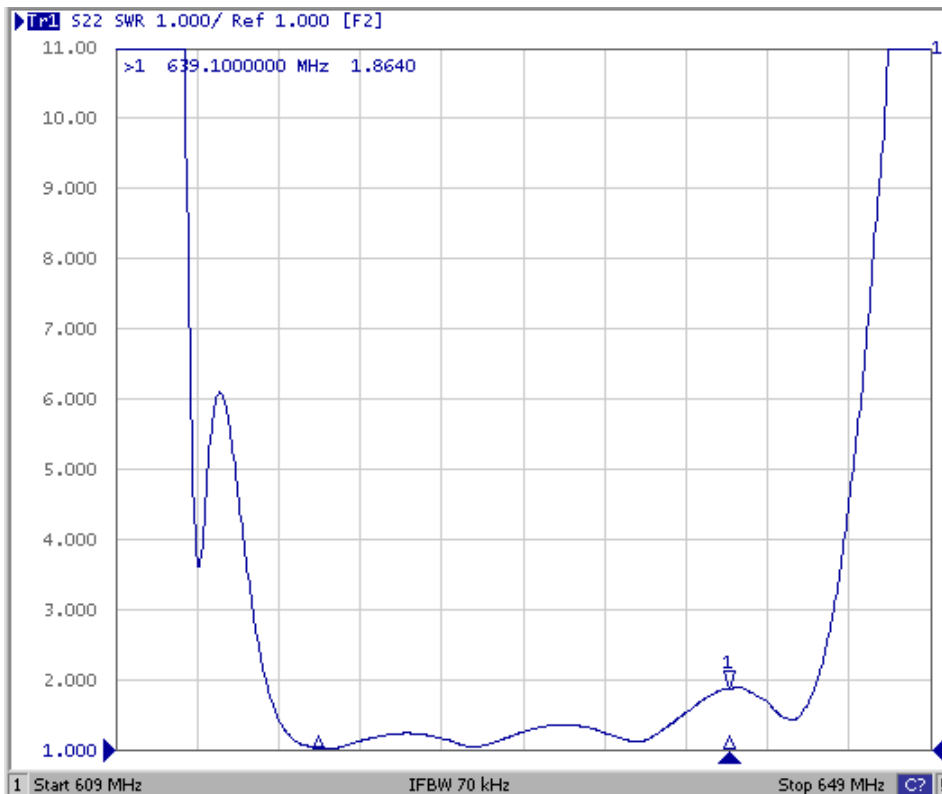
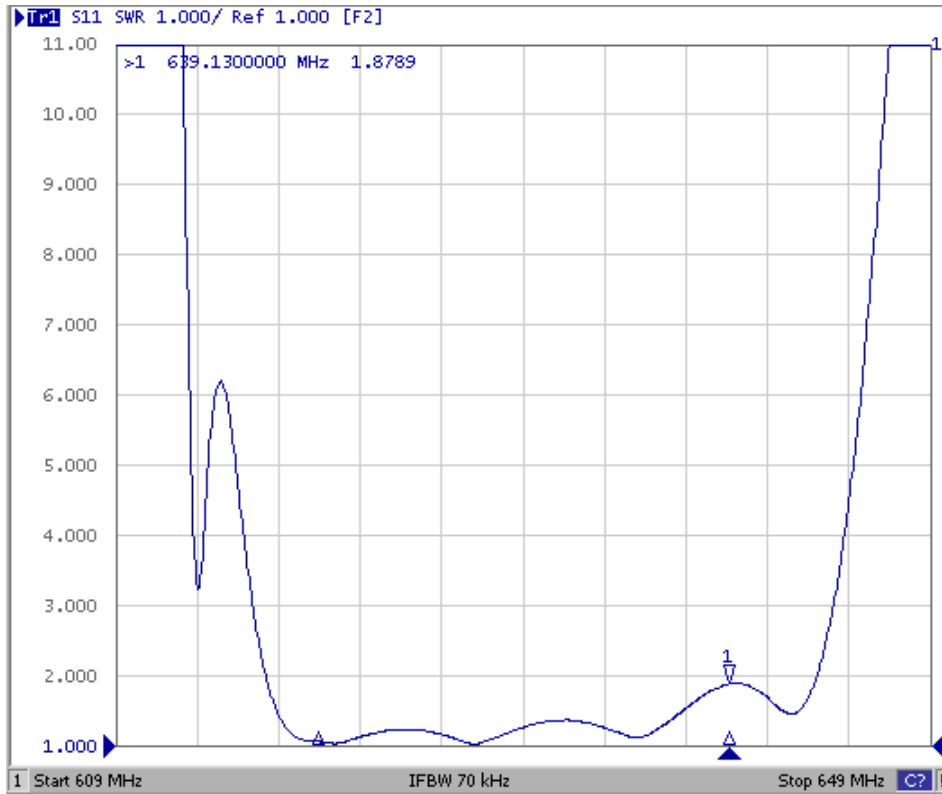
Model: TA1006A
Rev No: 1

F. FREQUENCY CHARACTERISTICS:



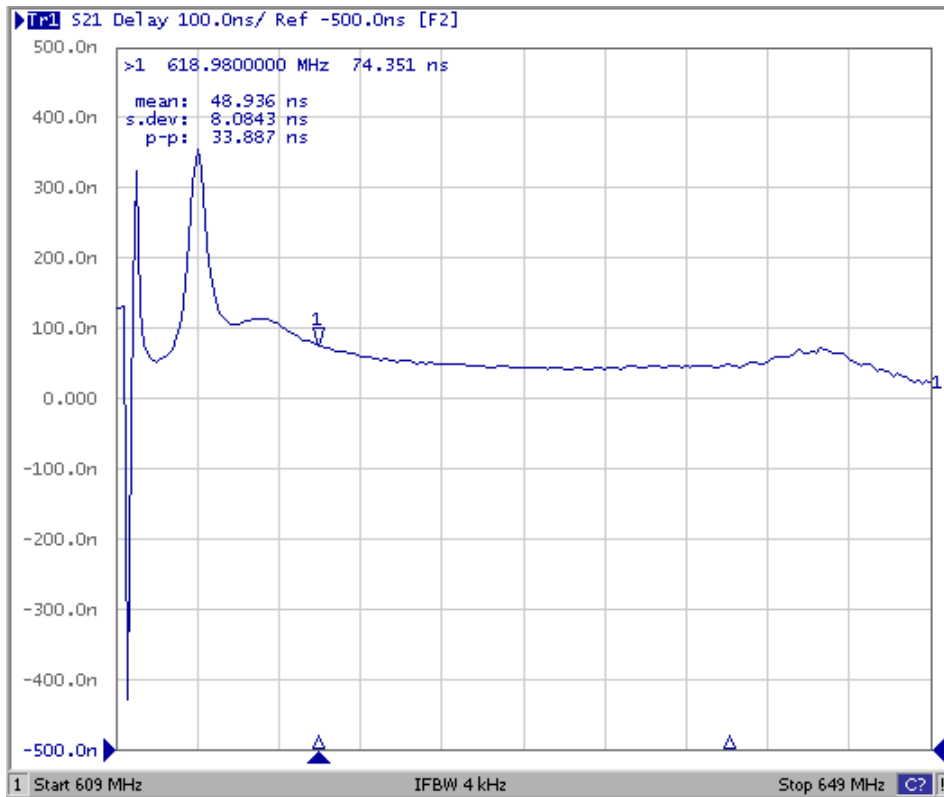
SAW Filter 629.0MHz
Part No: MP04213

Model: TA1006A
Rev No: 1



SAW Filter 629.0MHz
Part No: MP04213

Model: TA1006A
Rev No: 1

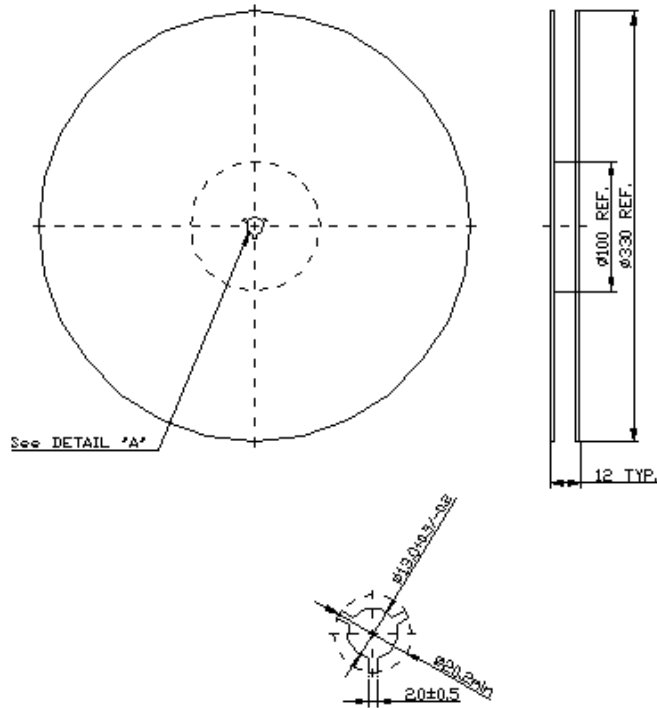


SAW Filter 629.0MHz
Part No: MP04213

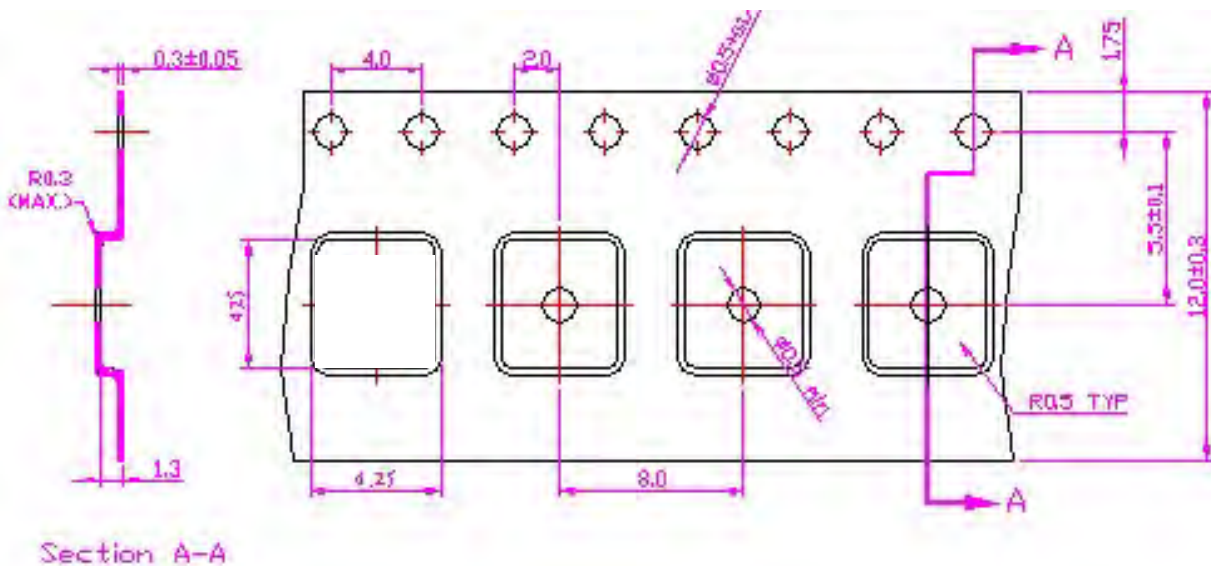
Model: TA1006A
Rev No: 1

G. PACKING:

1. Reel Dimension



2. Tape Dimension



SAW Filter 629.0MHz
Part No: MP04213

Model: TA1006A
Rev No: 1

H. RECOMMENDED REFLOW PROFILE:

