

**SAW Filter 879.0MHz**  
**Part No: MP04018**

**Model: TA1097A**  
**Rev No: 1**

**A. MAXIMUM RATING:**

1. Input Power Level: 10dBm
2. DC Voltage: 3V
3. Operating Temperature: -40°C to +95°C
4. Storage Temperature: -40°C to +95°C

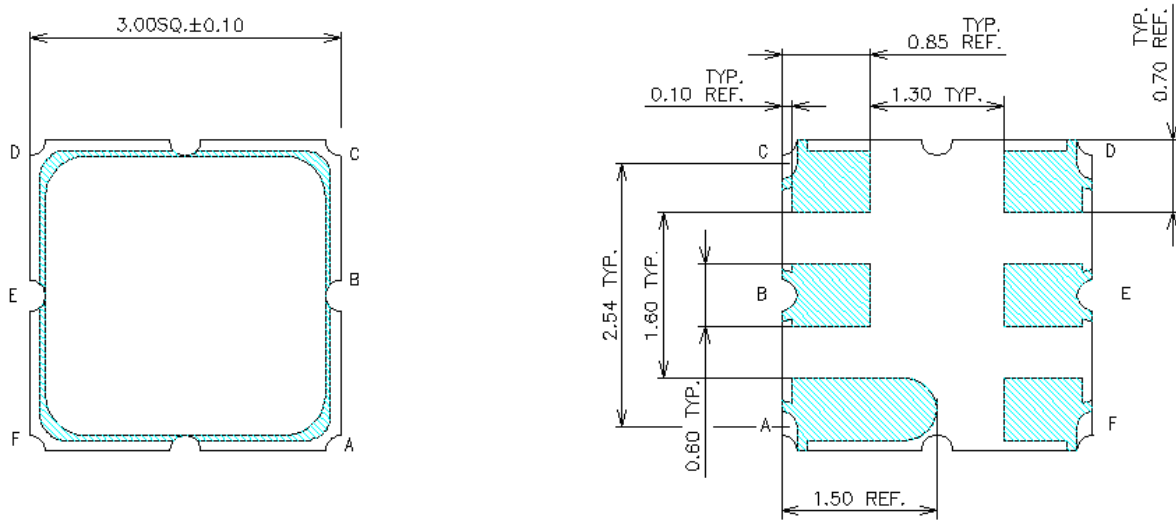
**B. ELECTRICAL CHARACTERISTICS:**

Item	Unit	Min	Typ.	Max
Center Frequency Fc	MHz		879	
Insertion Loss (864 ~ 894MHz) IL	dB	--	2.5	4
Amplitude Ripple (864 ~ 894MHz)	dB	--	0.8	2
Input/Output Return Loss (864 ~ 894MHz)	ns	--	9	8
Attenuation (Reference level from 0dB)				
10 ~ 840MHz	dB	40	44	--
920 ~ 1000MHz	dB	30	36	--
1000 ~ 2600MHz	dB	25	34	--
Input / Output Impedance	Ω	50		

**SAW Filter 879.0MHz**  
**Part No: MP04018**

**Model: TA1097A**  
**Rev No: 1**

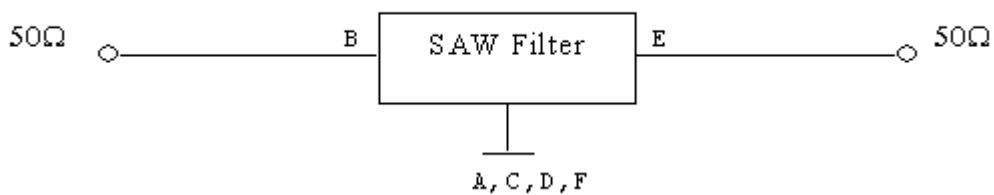
**C. OUTLINE DRAWING:**



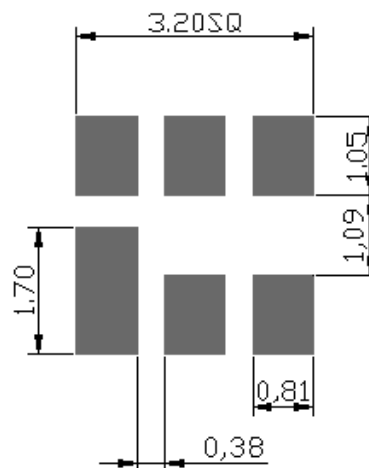
B: Input  
 E: Output  
 A, C, D, F: Ground  
 Dimension: mm

**D. MEASUREMENT CIRCUIT:**

HP Network analyzer



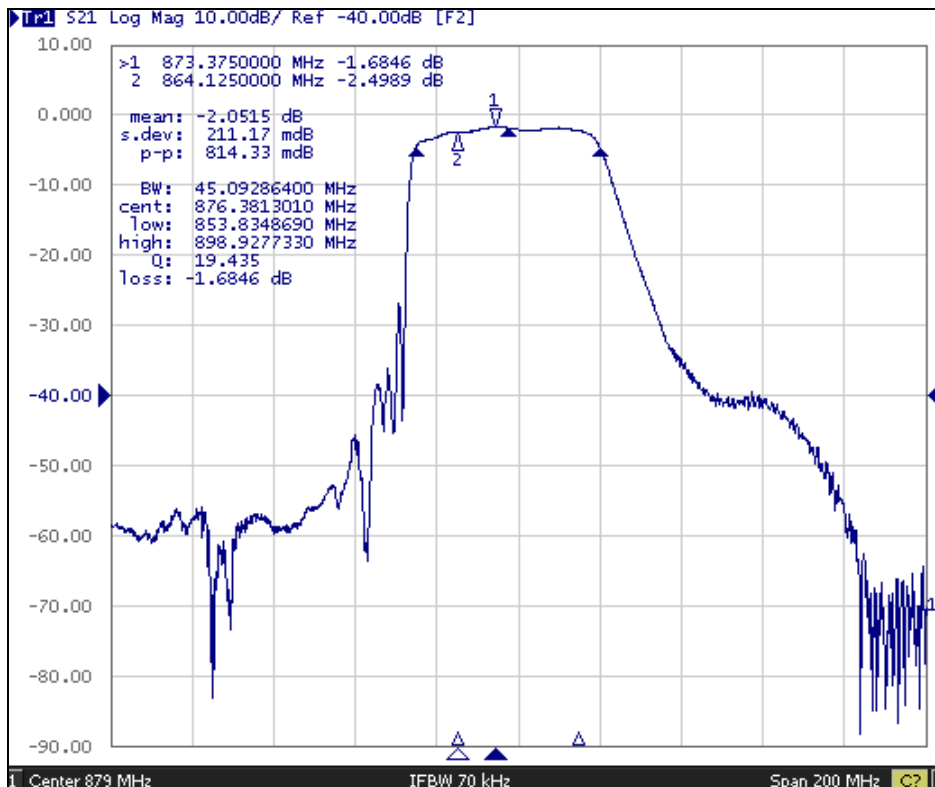
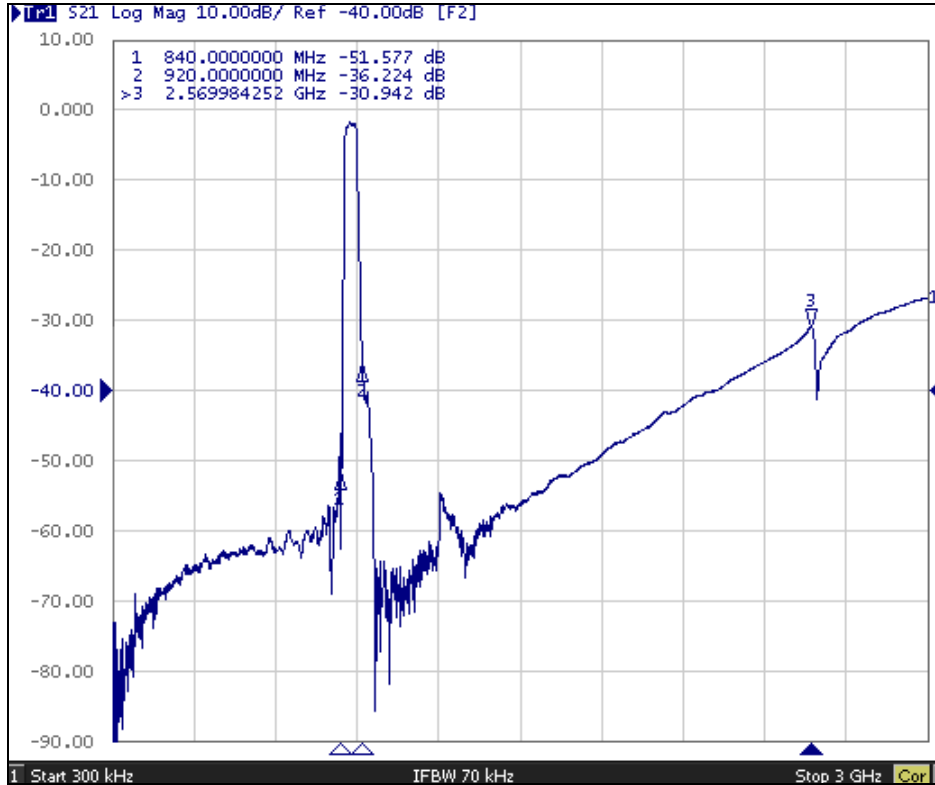
**E. PCB FOOTPRINT:**



**SAW Filter 879.0MHz**  
**Part No: MP04018**

**Model: TA1097A**  
**Rev No: 1**

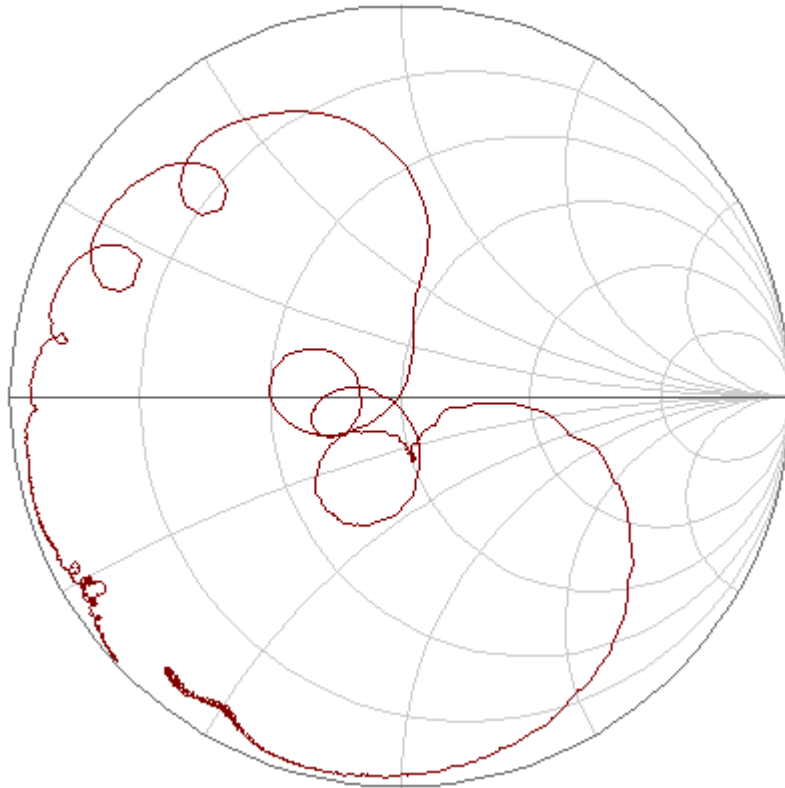
**F. FREQUENCY CHARACTERISTICS: (Demo Board)**



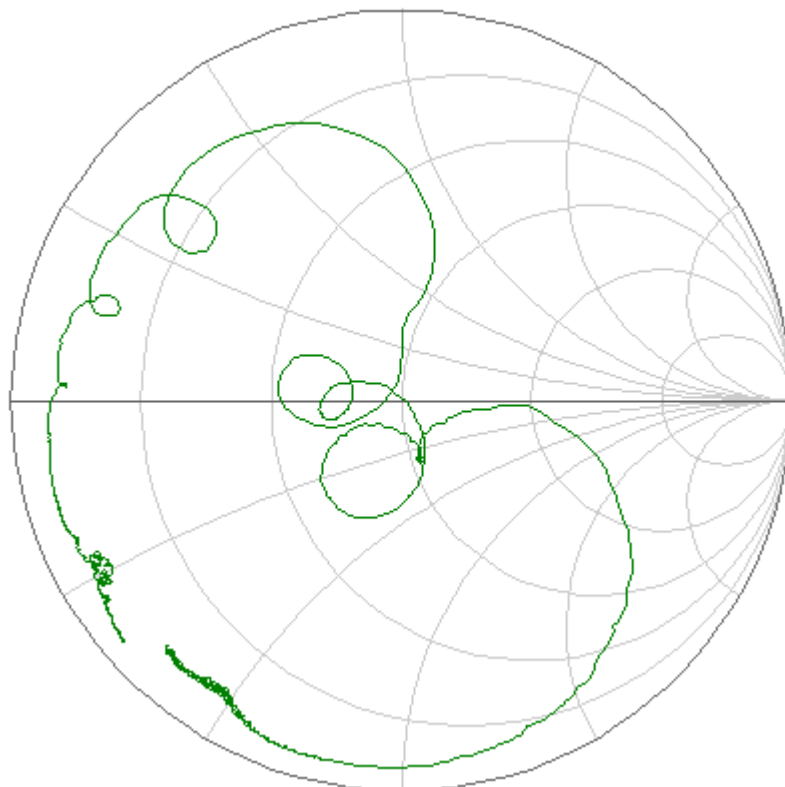
**SAW Filter 879.0MHz**  
**Part No: MP04018**

**Model: TA1097A**  
**Rev No: 1**

▶ **S11** Smith (R+jX) Scale 1.000U [F2]

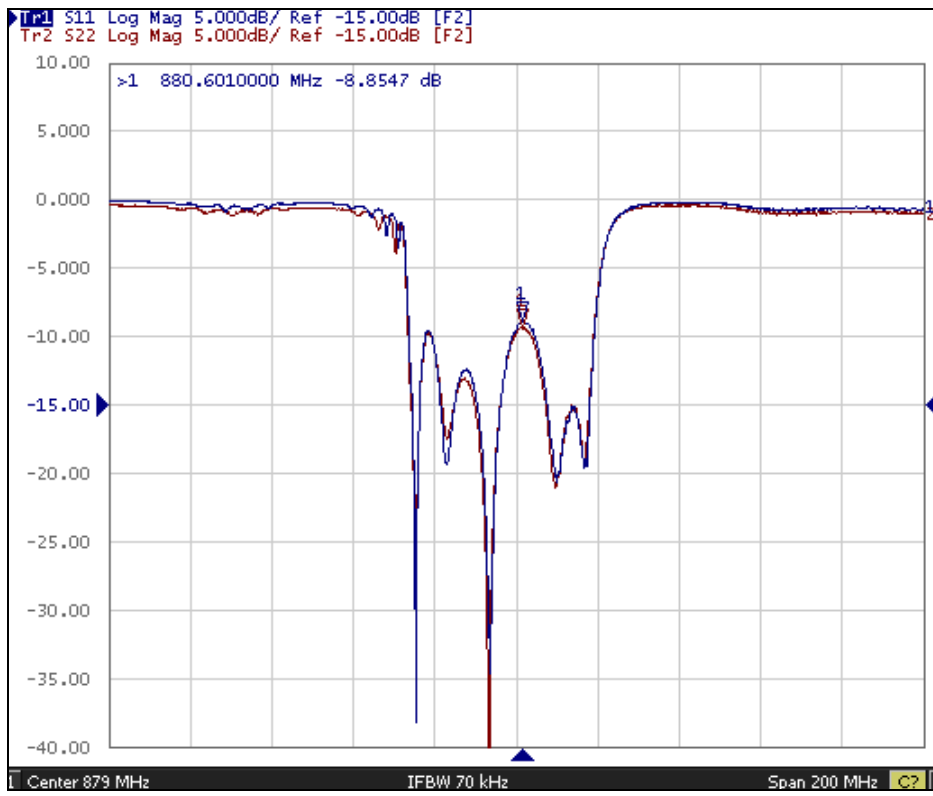


▶ **S22** Smith (R+jX) Scale 1.000U [F2]



**SAW Filter 879.0MHz**  
**Part No: MP04018**

**Model: TA1097A**  
**Rev No: 1**

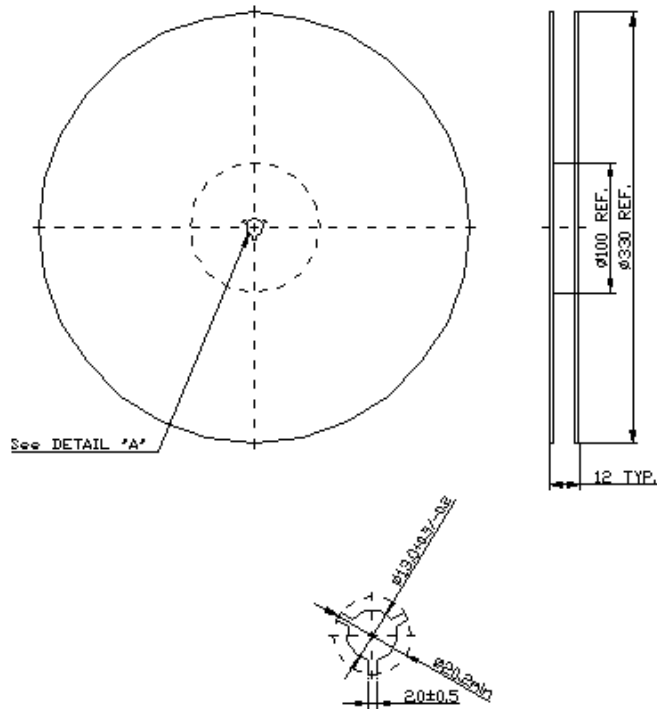


**SAW Filter 879.0MHz**  
**Part No: MP04018**

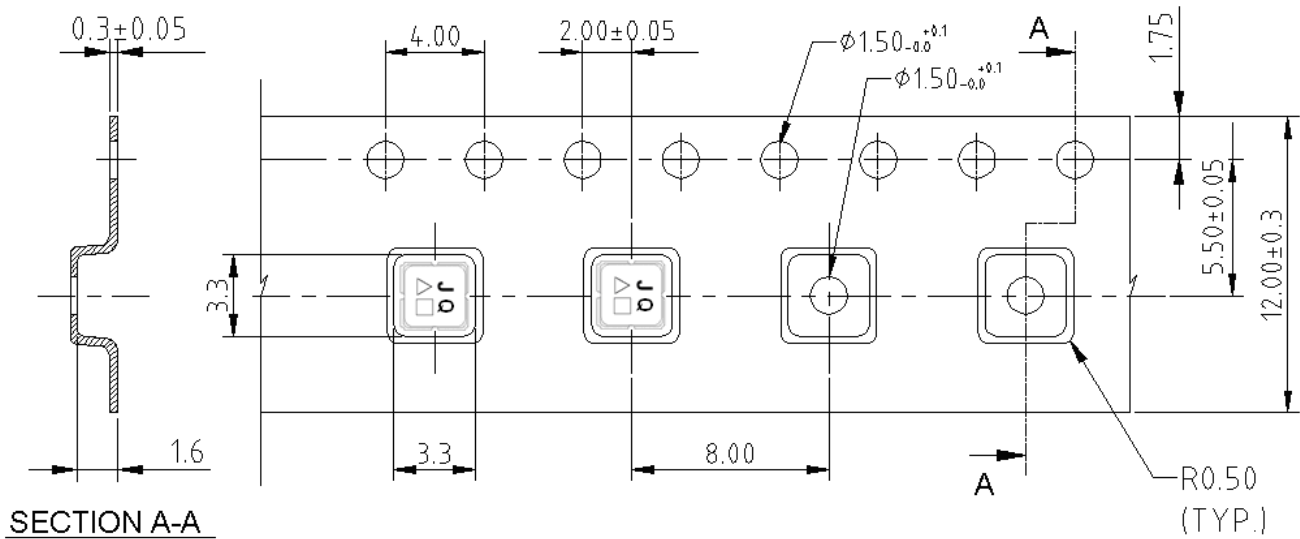
**Model: TA1097A**  
**Rev No: 1**

**G. PACKING:**

**1. REEL DIMENSION**



**2. TAPE DIMENSION**



**SAW Filter 879.0MHz**  
**Part No: MP04018**

**Model: TA1097A**  
**Rev No: 1**

**H. RECOMMENDED REFLOW PROFILE:**

