

SAW Filter 464.0MHz
Part No: MP03926

Model: TA1088A
Rev No: 1

A. MAXIMUM RATING:

1. Input Power Level: 10dBm
2. DC Voltage: 3V
3. Operating Temperature: -40°C to +85°C
4. Storage Temperature: -40°C to +85°C

B. ELECTRICAL CHARACTERISTICS:

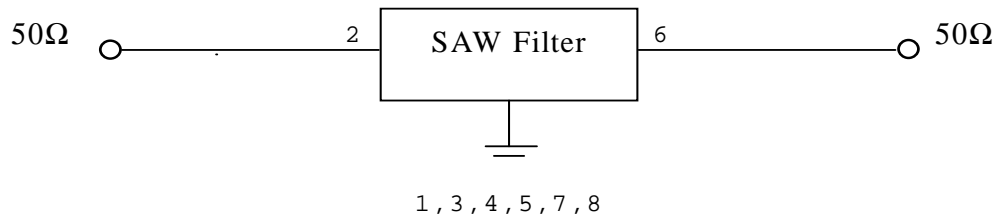
Item	Unit	Min.	Typ.	Max.
Center frequency Fc	MHz	-	464	-
Insertion Loss (458 ~ 470MHz) IL	dB	-	2.1	3.5
Amplitude Ripple (458 ~ 470MHz)	dB	-	0.8	1.6
Attenuation (Reference level from 0dB)				
Fc -454 ~ Fc -44MHz	dB	45	51	-
Fc -42.8MHz	dB	45	51	-
Fc +46 ~ Fc +246MHz	dB	45	48	-
Fc +246 ~ Fc +536MHz	dB	35	41	-

SAW Filter 464.0MHz
Part No: MP03926

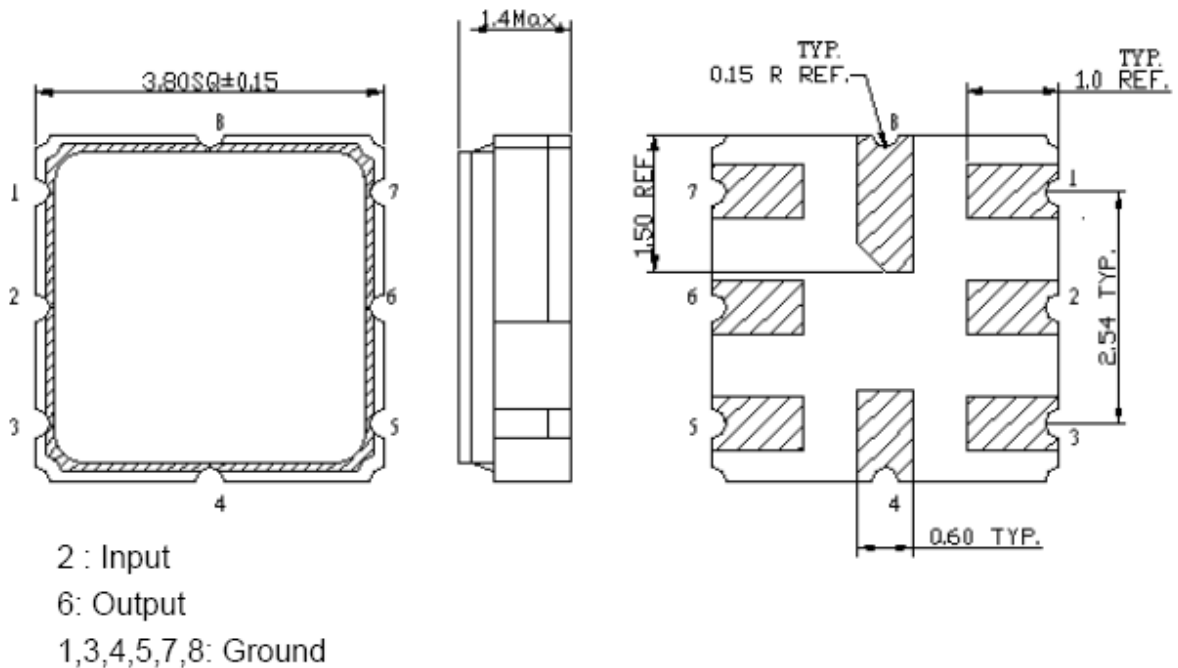
Model: TA1088A
Rev No: 1

C. MEASUREMENT CIRCUIT:

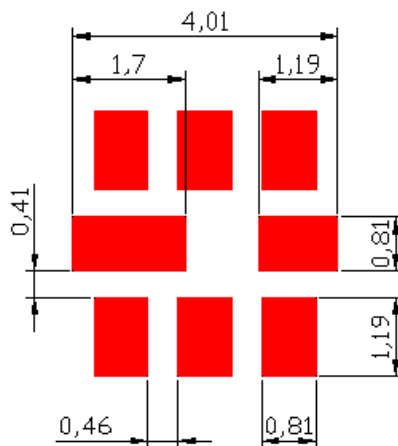
HP Network analyzer



D. OUTLINE DRAWING:



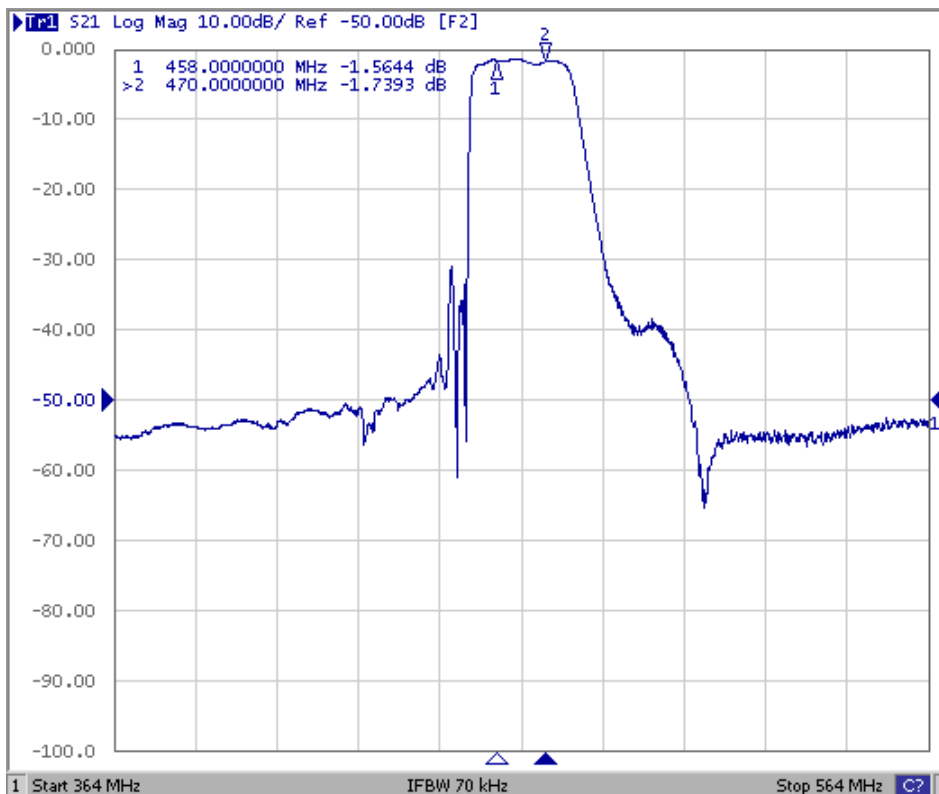
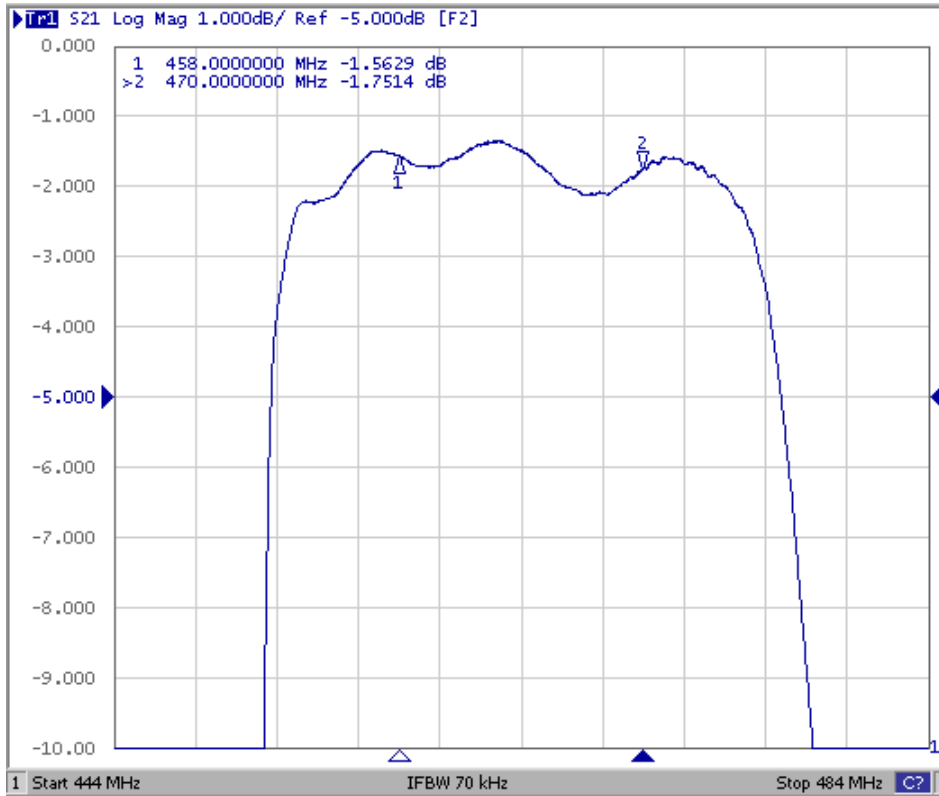
E. PCB FOOTPRINT:



SAW Filter 464.0MHz
Part No: MP03926

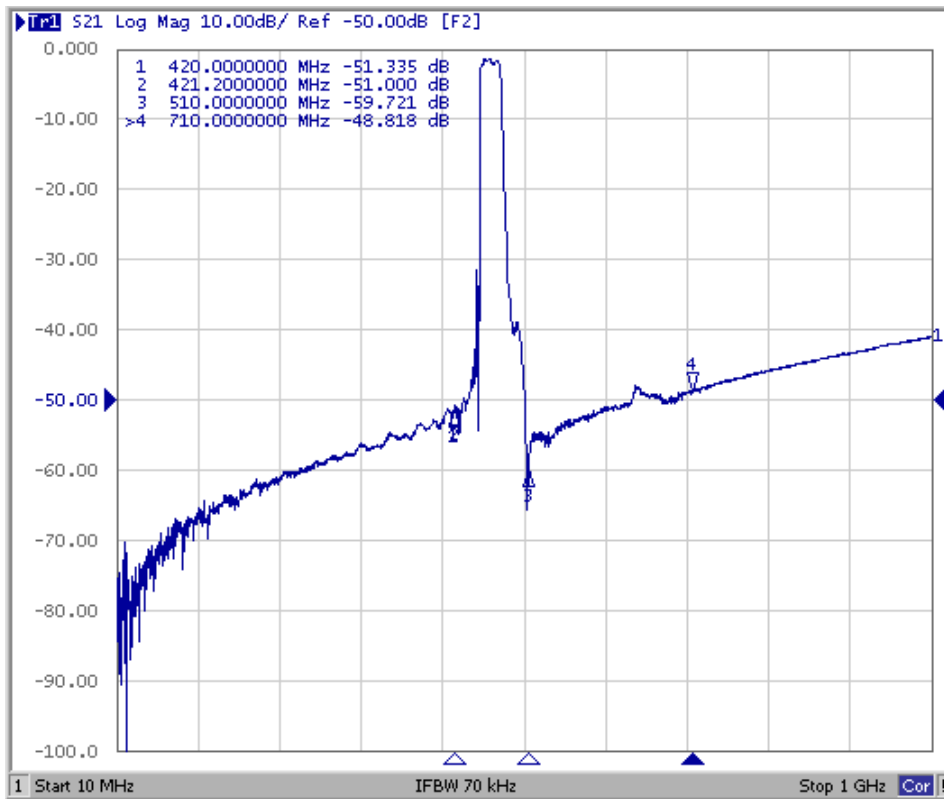
Model: TA1088A
Rev No: 1

F. FREQUENCY CHARACTERISTICS:



SAW Filter 464.0MHz
Part No: MP03926

Model: TA1088A
Rev No: 1

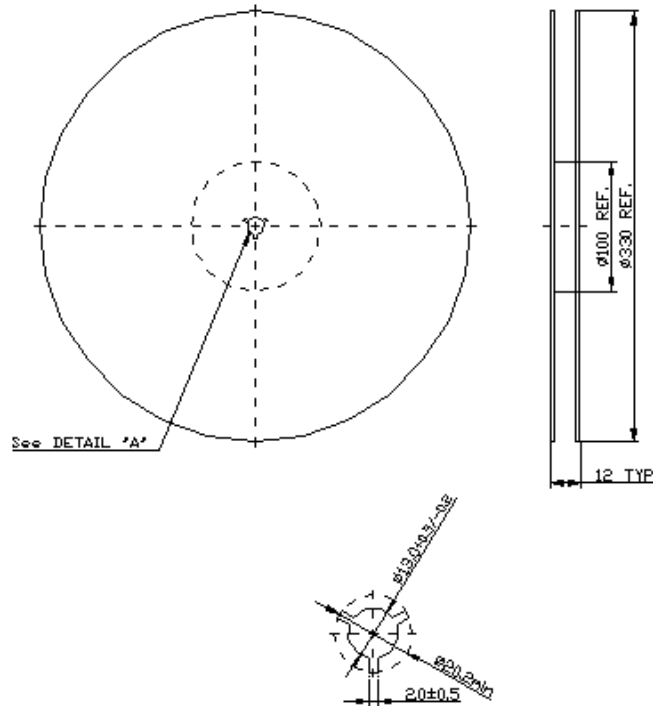


SAW Filter 464.0MHz
Part No: MP03926

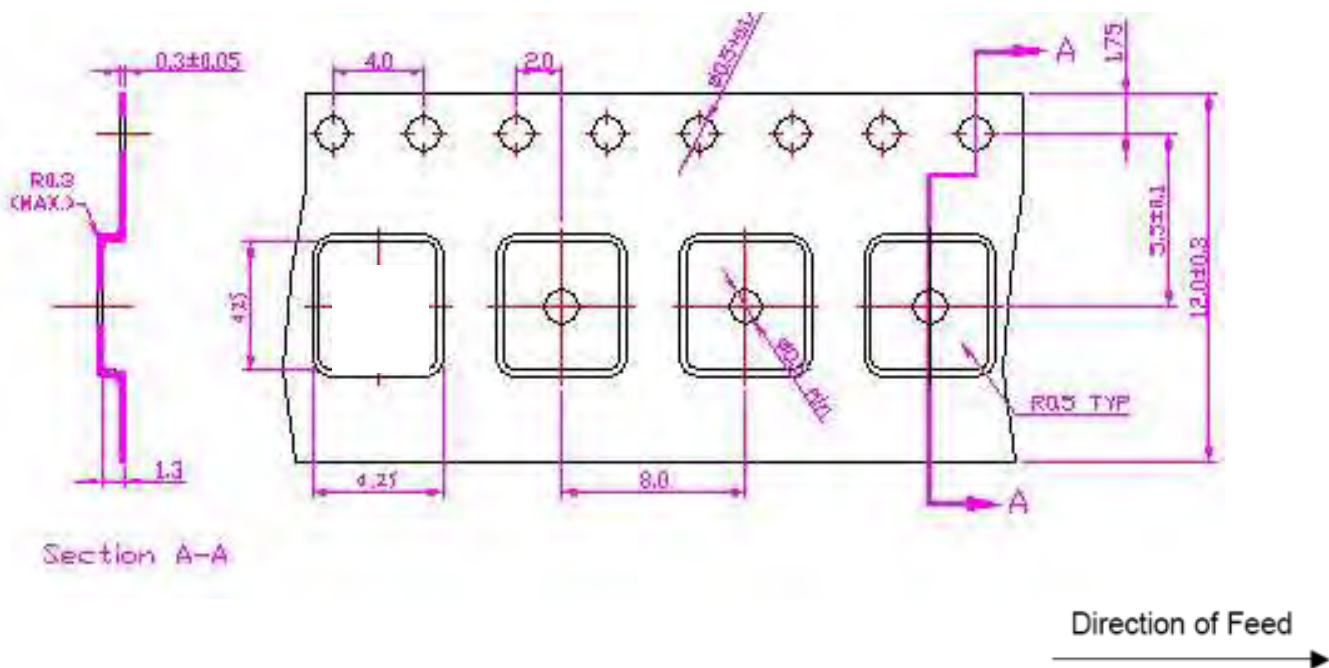
Model: TA1088A
Rev No: 1

G. PACKING:

1. REEL DIMENSION



2. TAPE DIMENSION



SAW Filter 464.0MHz
Part No: MP03926

Model: TA1088A
Rev No: 1

H. RECOMMENDED REFLOW PROFILE:

