

SAW Filter 2017.50MHz
Part No: MP03900

Model: TA1323A
Rev No: 1

A. MAXIMUM RATING:

1. Input Power Level: 13dBm (2000 hours)
2. DC Voltage: 3V
3. Operating Temperature: -30°C to +85°C
4. Storage Temperature: -40°C to +95°C

B. ELECTRICAL CHARACTERISTICS:

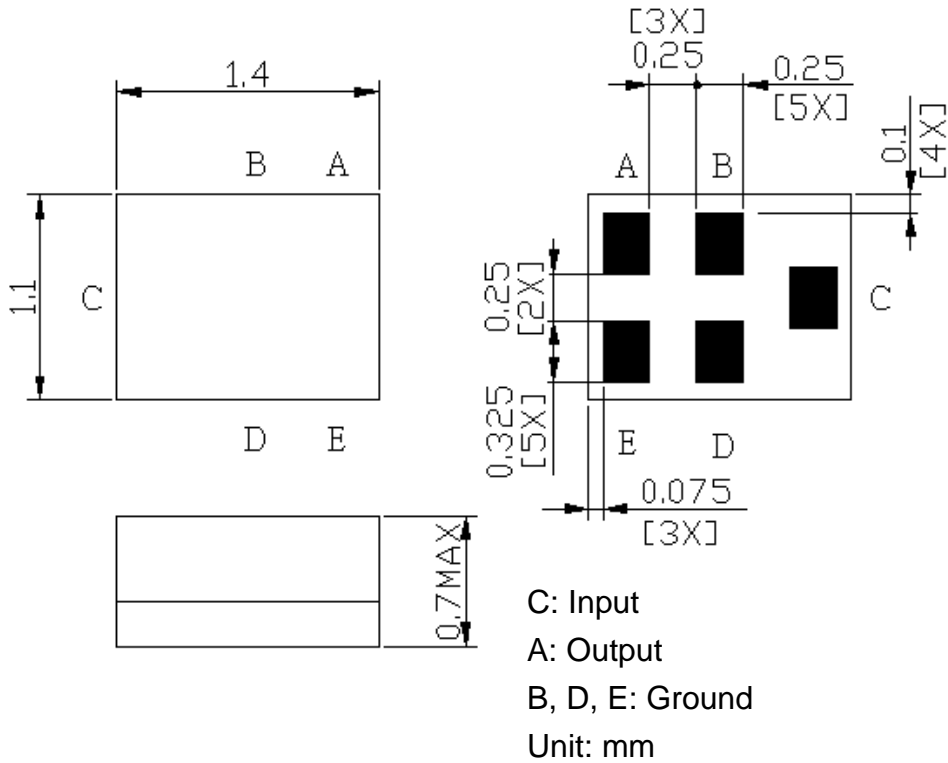
1. Terminating source impedance (single-ended): $Z_S = 50\Omega$
2. Terminating load impedance (single-ended): $Z_L = 50\Omega$

Item	Unit	Min.	Typ.	Max.	Note
Center Frequency Fc	MHz	-	2017.5	-	-
Insertion Loss (2010 ~ 2025MHz) IL	dB	-	2	2.8	-
Amplitude ripple (2010 ~ 2025MHz)	dB	-	0.25	1	-
VSWR (2010 ~ 2025MHz)		-	1.2	1.8	-
Attenuation (Reference level from 0dB)					
1 ~ 1850MHz	dB	41	45	-	-
1850 ~ 1950MHz	dB	34	36	-	-
1950 ~ 1980MHz	dB	15	19	-	-
2050 ~ 2075MHz	dB	6	13	-	-
2075 ~ 2110MHz	dB	23	37	-	-
2110 ~ 3500MHz	dB	37	40	-	-
3500 ~ 4060MHz	dB	34	40	-	-
4060 ~ 5000MHz	dB	29	37	-	-
5000 ~ 5500MHz	dB	25	35	-	-
5500 ~ 6000MHz	dB	23	33	-	-
Temperature Coefficient of Frequency	ppm/°C	-	-36	-	-

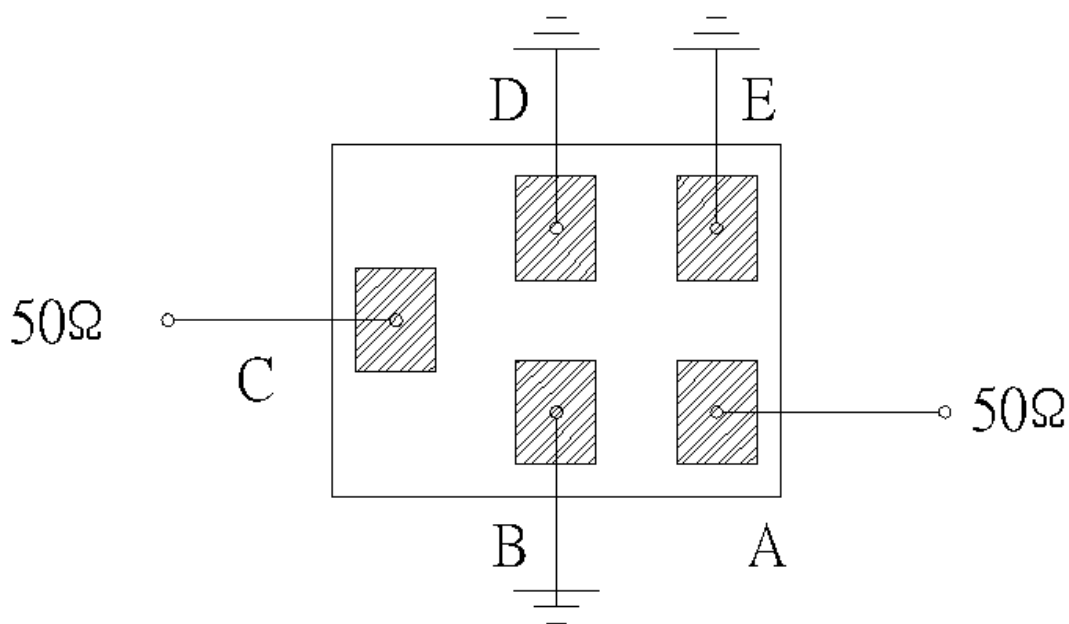
SAW Filter 2017.50MHz
Part No: MP03900

Model: TA1323A
Rev No: 1

C. OUTLINE DRAWING:



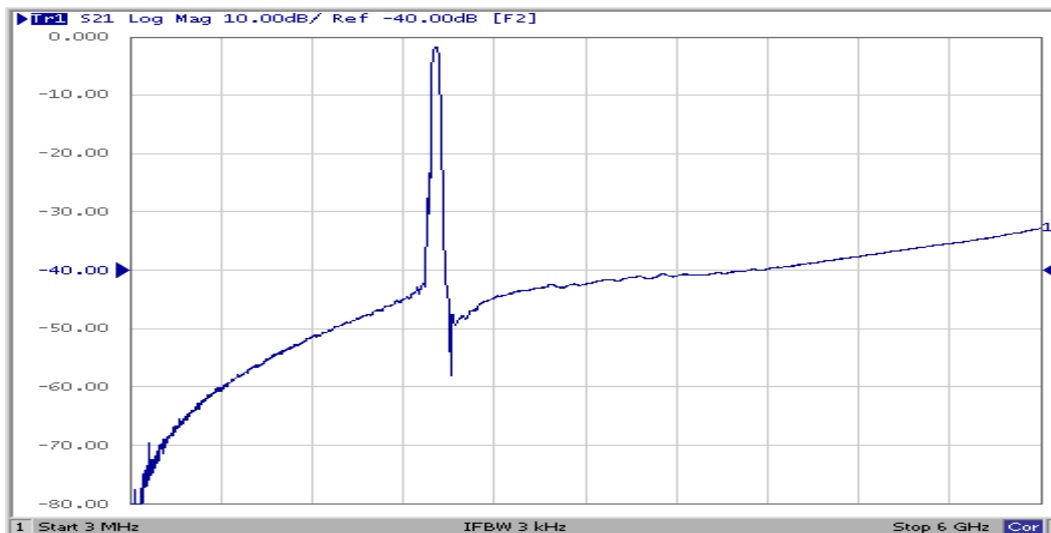
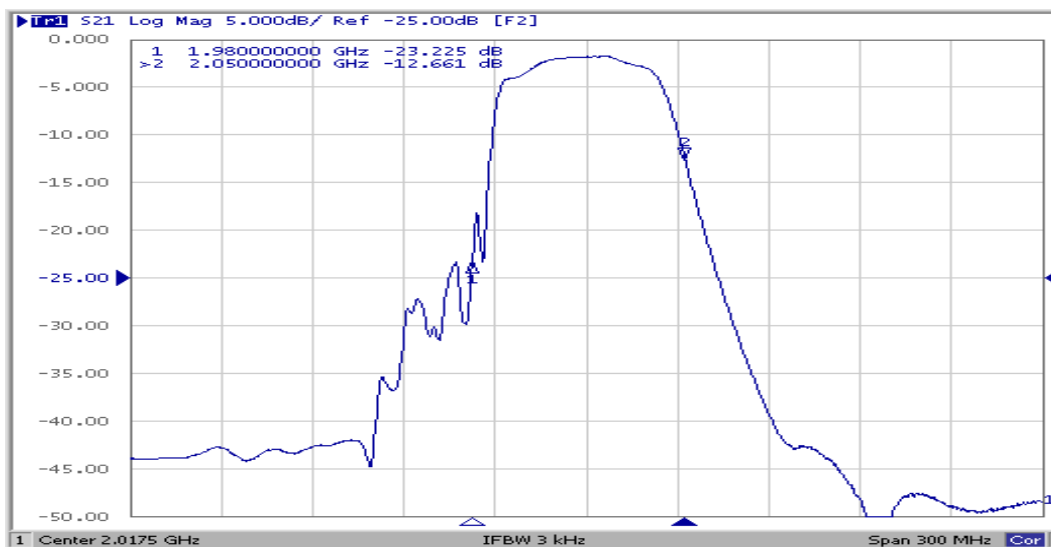
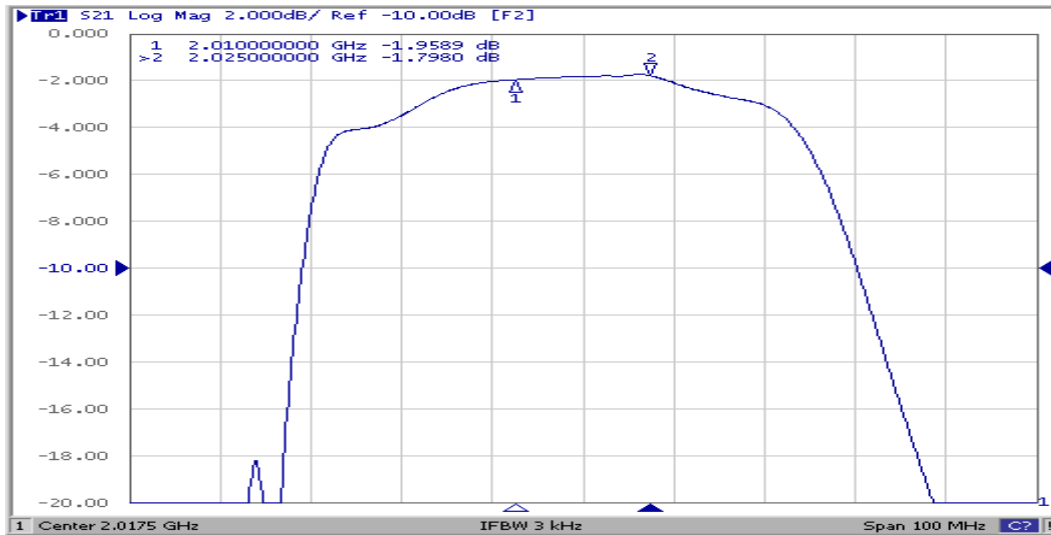
D. MEASUREMENT CIRCUIT:



SAW Filter 2017.50MHz
Part No: MP03900

Model: TA1323A
Rev No: 1

E. FREQUENCY CHARACTERISTICS:

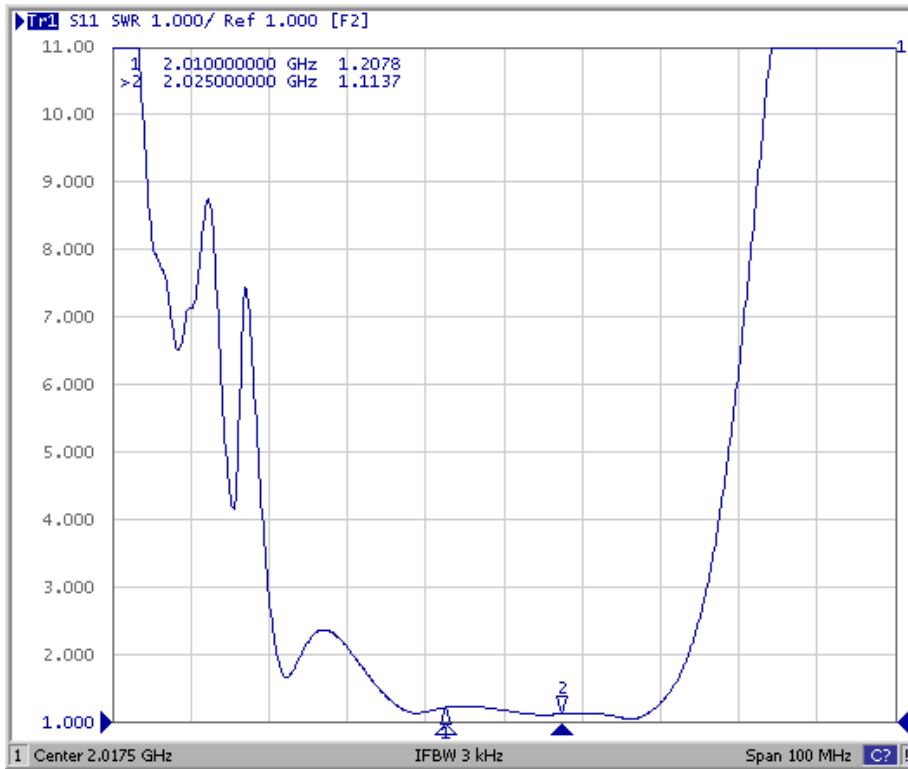


SAW Filter 2017.50MHz
Part No: MP03900

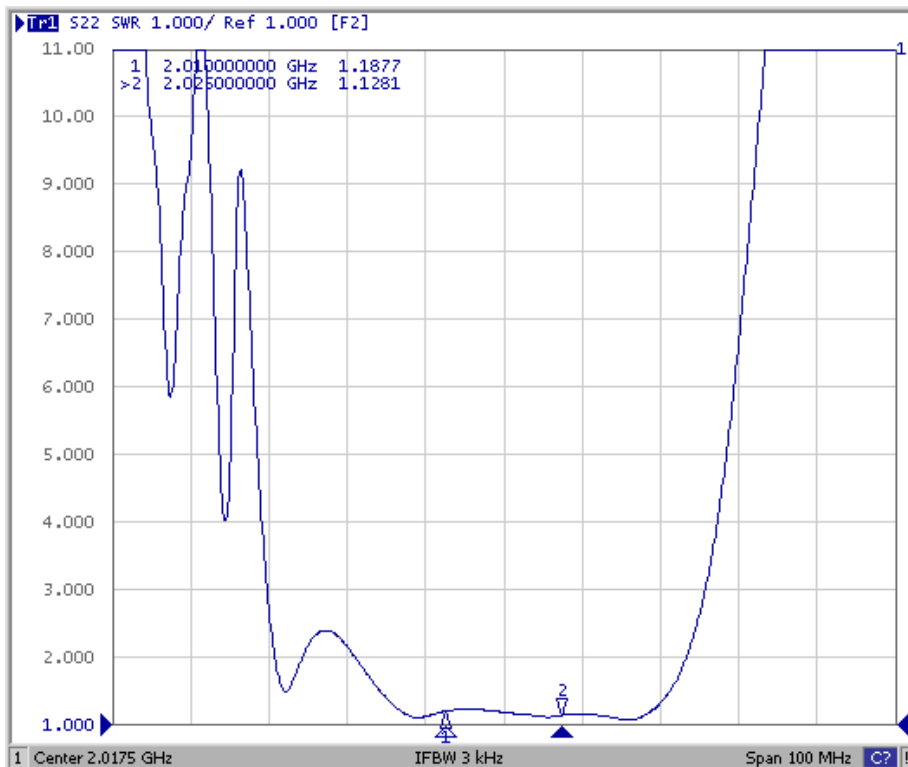
Model: TA1323A
Rev No: 1

Reflection Functions

S11



S22



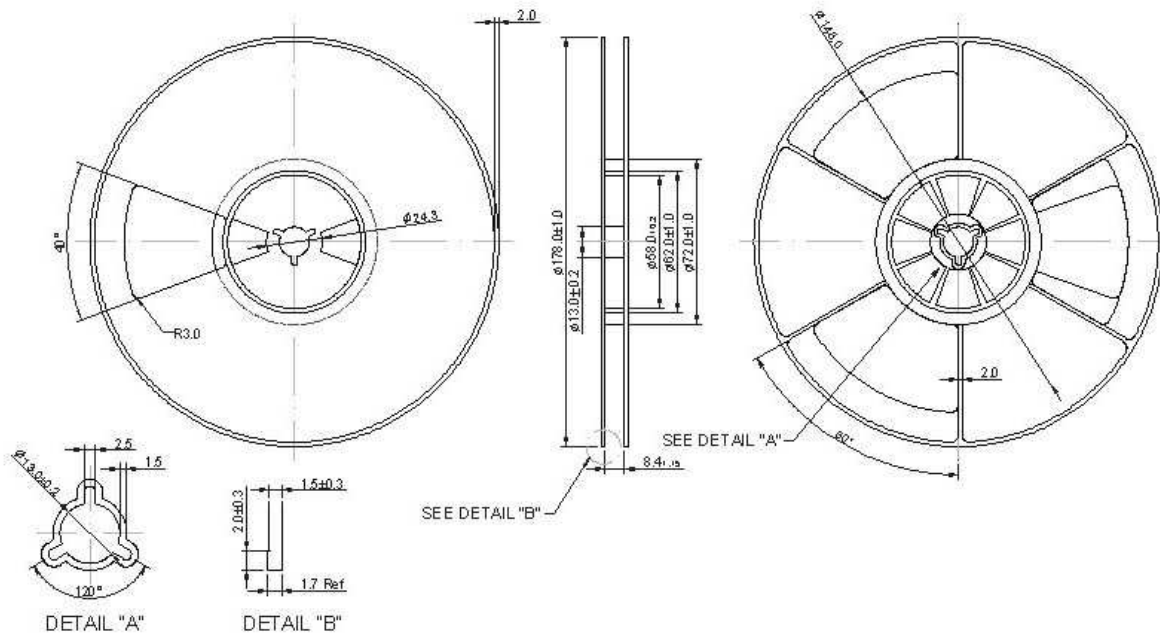
SAW Filter 2017.50MHz
Part No: MP03900

Model: TA1323A
Rev No: 1

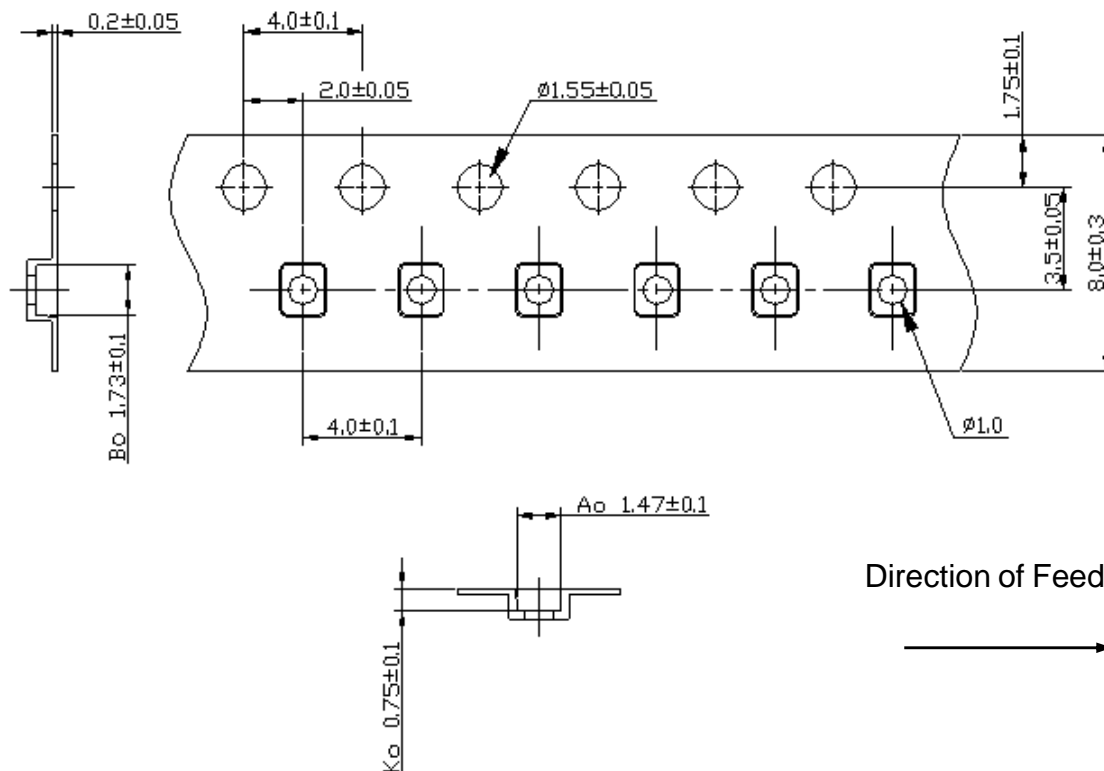
F. PACKING:

1. REEL DIMENSION

(Reel Count: 7" = 3000)



2. TAPE DIMENSION



SAW Filter 2017.50MHz
Part No: MP03900

Model: TA1323A
Rev No: 1

G. RECOMMENDED REFLOW PROFILE:

