

**SAW Filter 1900.0MHz**  
**Part No: MP03869**

**Model: TA1240A**  
**Rev No: 1**

**A. MAXIMUM RATING:**

1. Input Power Level: 10dBm
2. DC Voltage: 3V
3. Operating Temperature: -20°C to +70°C
4. Storage Temperature: -40°C to +85°C

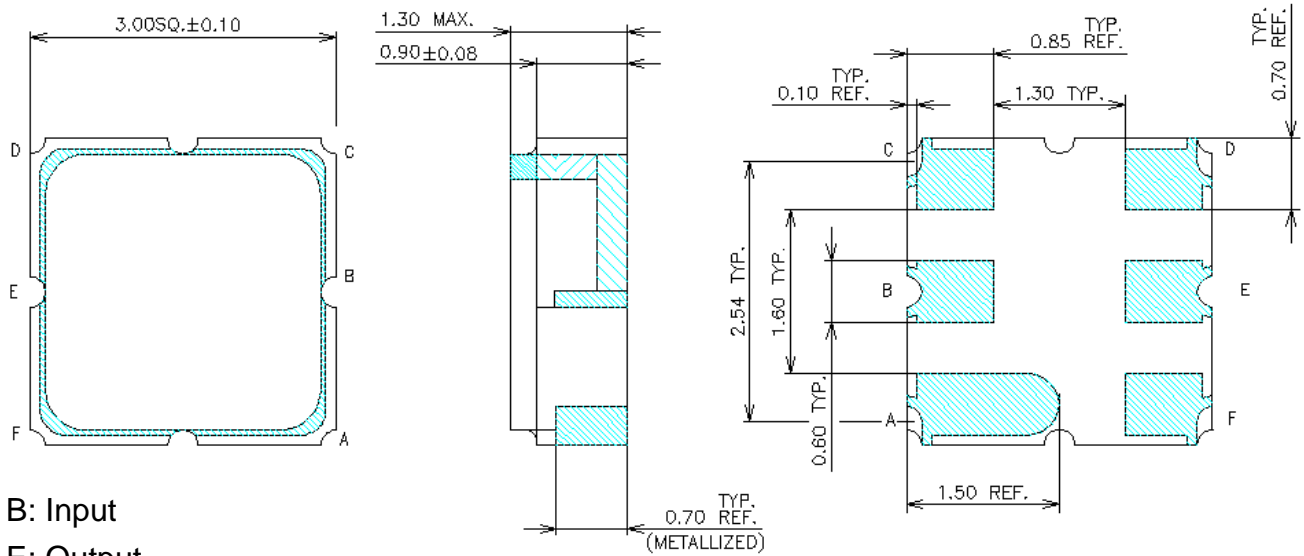
**B. ELECTRICAL CHARACTERISTICS:**

Item	Unit	Min	Typ.	Max
Center Frequency Fc	MHz		1900	
Insertion Loss (1880 ~ 1920MHz) IL	dB	--	1.1	3
Amplitude Ripple (1880 ~ 1920MHz)	dB	--	0.8	1.3
Group Delay Ripple (1880 ~ 1920MHz)	ns	--	10	40
Input VSWR (1880 ~ 1920MHz)		--	1.75	2.0
Output VSWR (1880~1920 MHz)		--	1.75	2.0
Attenuation (Reference level from 0dB)				
0.3 ~ 960MHz	dB	30	33.6	--
960 ~ 1805MHz	dB	30	43.5	--
1805 ~ 1830MHz	dB	30	43.5	--
1830 ~ 1850MHz	dB	30	42	--
1950 ~ 2010MHz	dB	15	40.5	--
2010 ~ 2025MHz	dB	40	42	--
2110 ~ 2170MHz	dB	35	37	--
2300 ~ 2400MHz	dB	35	37	--
2400 ~ 3000MHz	dB	28	37	--
Input / Output Impedance	50Ω			

**SAW Filter 1900.0MHz**  
**Part No: MP03869**

**Model: TA1240A**  
**Rev No: 1**

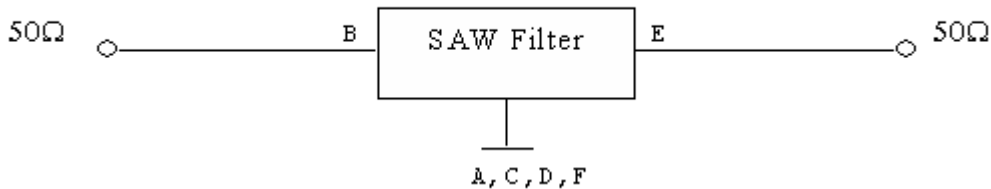
**C. OUTLINE DRAWING:**



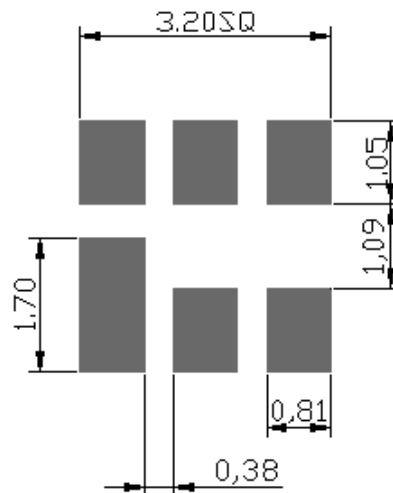
B: Input  
 E: Output  
 A, C, D, F: Ground  
 Dimension: mm

**D. MEASUREMENT CIRCUIT:**

HP Network analyzer



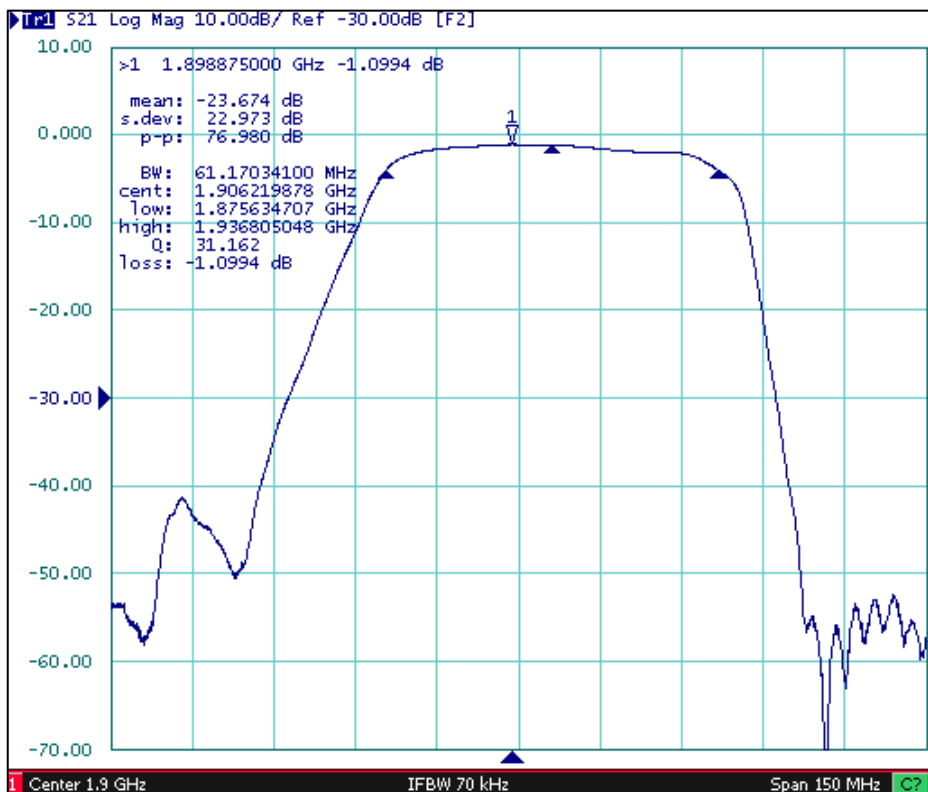
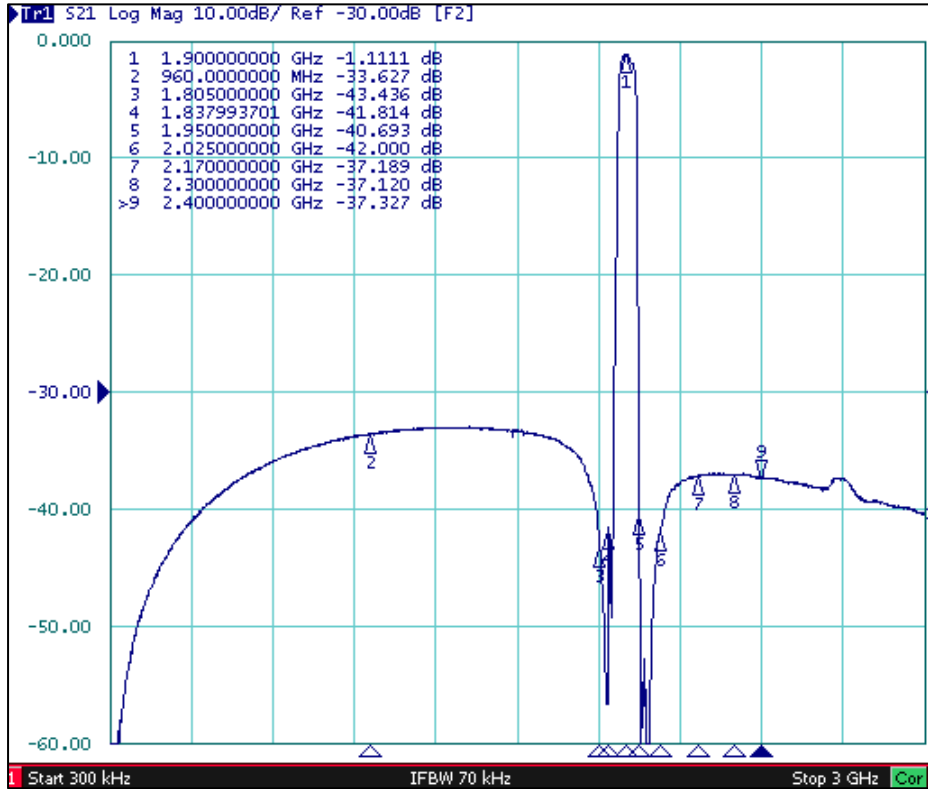
**E. PCB FOOTPRINT:**



**SAW Filter 1900.0MHz**  
**Part No: MP03869**

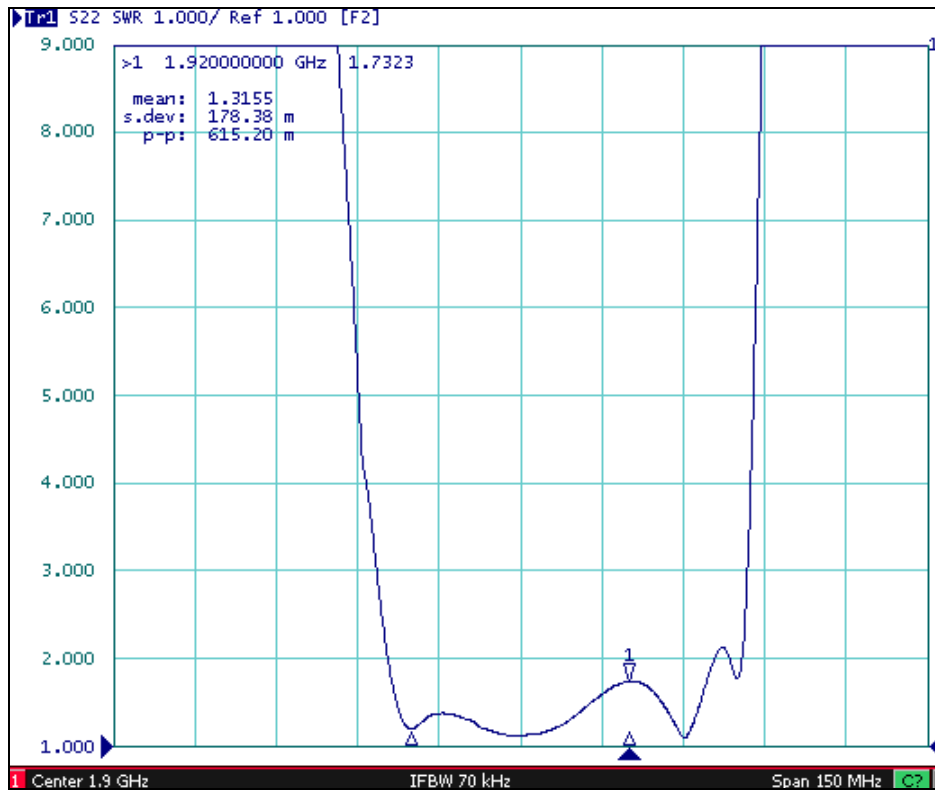
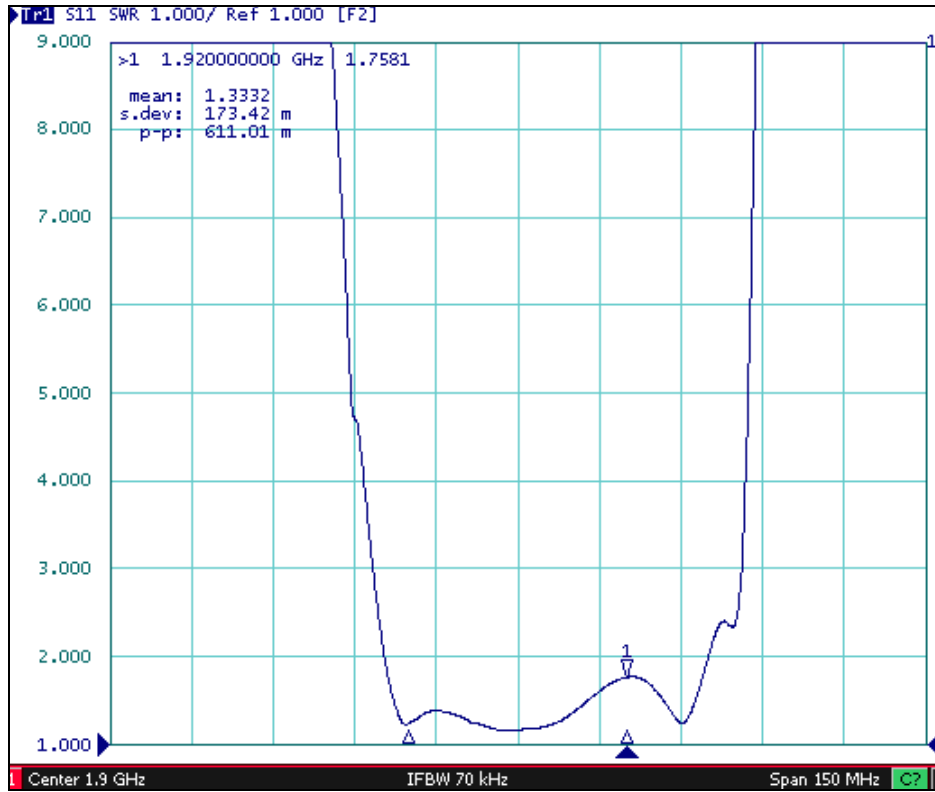
**Model: TA1240A**  
**Rev No: 1**

**F. FREQUENCY CHARACTERISTICS: (Demo Board)**



**SAW Filter 1900.0MHz**  
**Part No: MP03869**

**Model: TA1240A**  
**Rev No: 1**

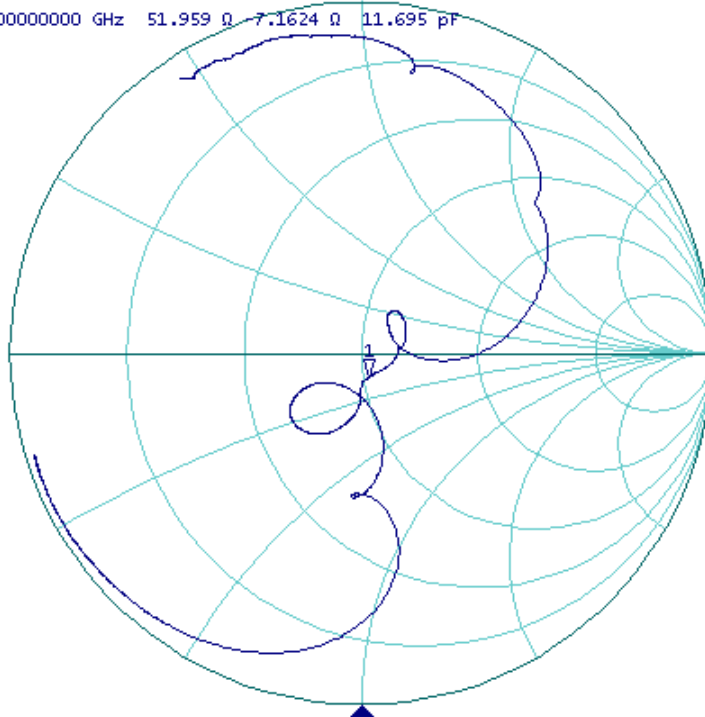


**SAW Filter 1900.0MHz**  
**Part No: MP03869**

**Model: TA1240A**  
**Rev No: 1**

▶ [F1] S11 Smith (R+jX) Scale 1.000U [F2]

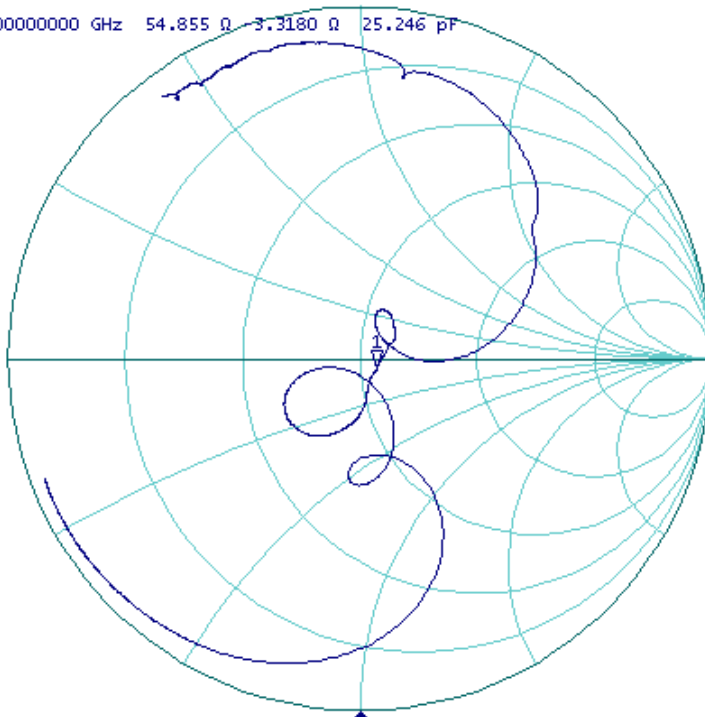
>1 1.900000000 GHz 51.959  $\Omega$  -7.1624  $\Omega$  11.695 pF



Center 1.9 GHz IFBW 70 kHz Span 150 MHz [GZ] [I]

▶ [F1] S22 Smith (R+jX) Scale 1.000U [F2]

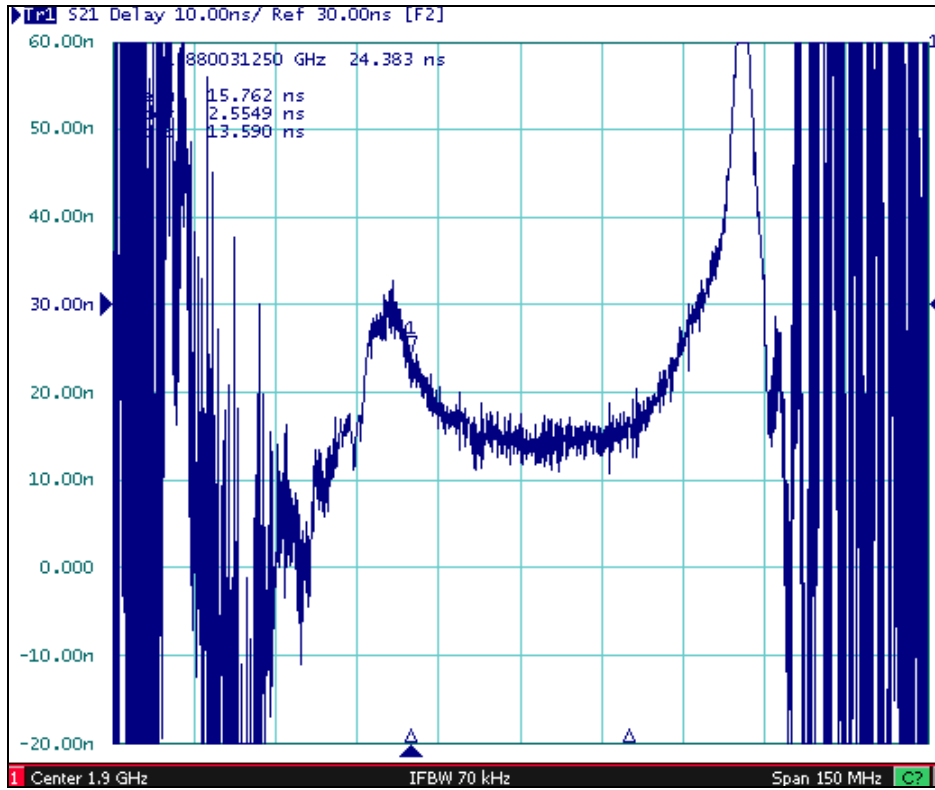
>1 1.900000000 GHz 54.855  $\Omega$  -3.3180  $\Omega$  25.246 pF



Center 1.9 GHz IFBW 70 kHz Span 150 MHz [GZ] [I]

**SAW Filter 1900.0MHz**  
**Part No: MP03869**

**Model: TA1240A**  
**Rev No: 1**

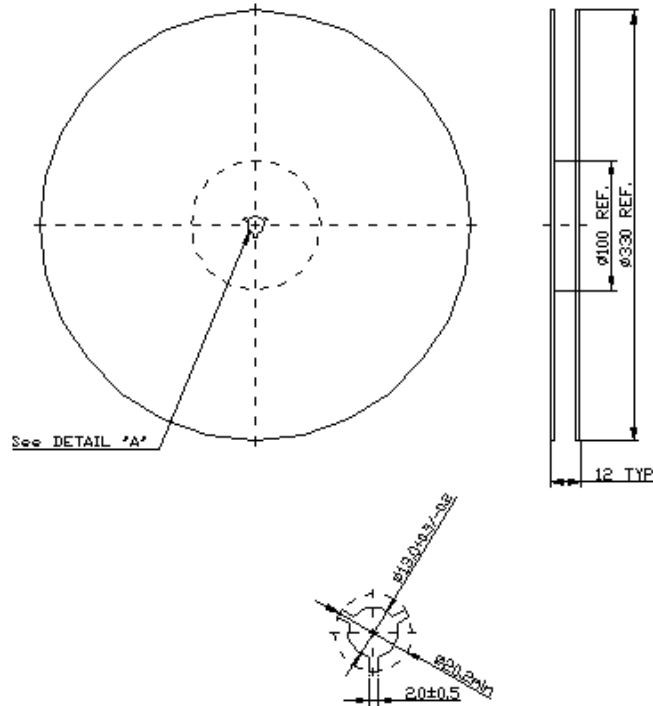


**SAW Filter 1900.0MHz**  
**Part No: MP03869**

**Model: TA1240A**  
**Rev No: 1**

**G. PACKING:**

**1. REEL DIMENSION**



**2. TAPE DIMENSION**

