

SAW Filter 1128.0MHz
Part No: MP03793

Model: TA1413A
Rev No: 1

A. MAXIMUM RATING:

Electrostatic Sensitive Device (ESD)

1. Input Power Level: 10dBm
2. DC Voltage: 3V
3. Operating Temperature: -40°C to +85°C
4. Storage Temperature: -40°C to +85°C

B. ELECTRICAL CHARACTERISTICS:

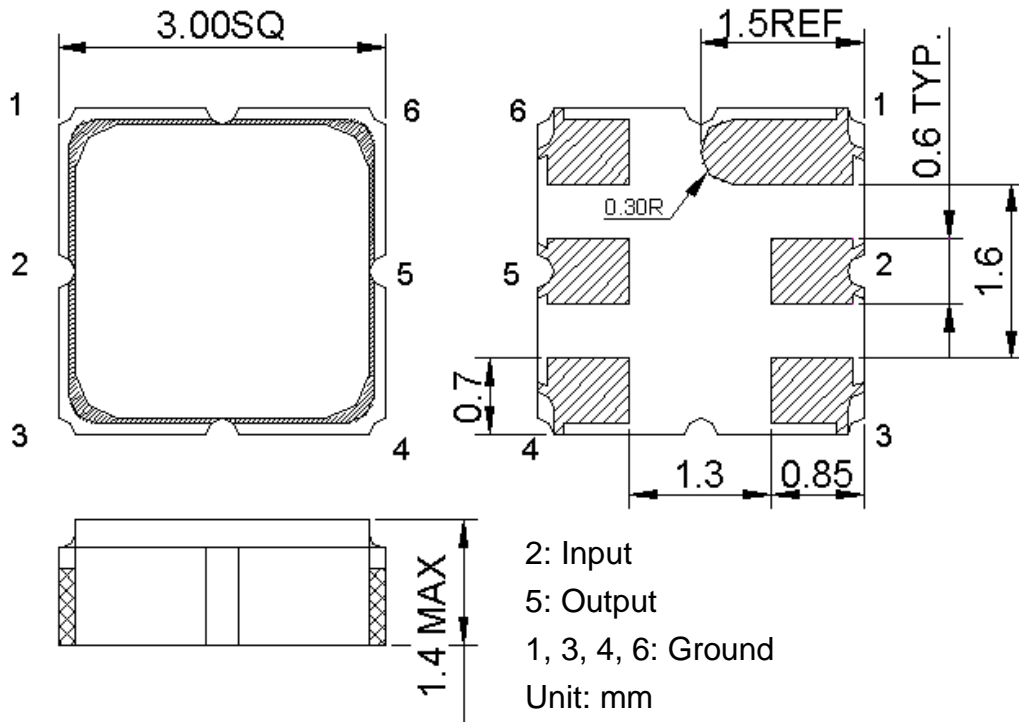
1. Terminating source impedance (single ended): $Z_S = 50\Omega$
2. Terminating load impedance (single ended): $Z_L = 50\Omega$

Item	Unit	Min.	Typ.	Max.	Note
Center Frequency F_c	MHz	-	1128	-	-
Insertion Loss (1111 ~ 1145MHz)	dB	-	2.85	4	-
Amplitude Variation (1111 ~ 1145MHz)	dB	-	0.8	2	-
Amplitude Variation over 3MHz	dB	-	0.4	1	-
VSWR (1111 ~ 1145MHz)		-	2.1	2.4	-
Group Delay Variation over 3MHz	ns	-	5	20	-
Attenuation (reference level from 0dB)					
DC ~ 1090MHz	dB	30	47	-	-
1163 ~ 1190MHz	dB	6	19	-	-
1190 ~ 2000MHz	dB	30	44	-	-
Temperature Coefficient of Frequency	ppm/°C	-	-36	-	-

SAW Filter 1128.0MHz
Part No: MP03793

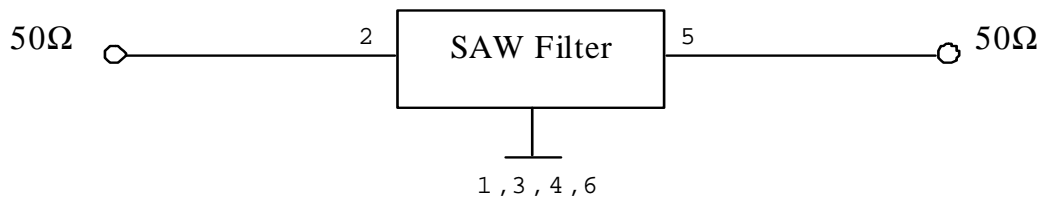
Model: TA1413A
Rev No: 1

C. OUTLINE DRAWING:

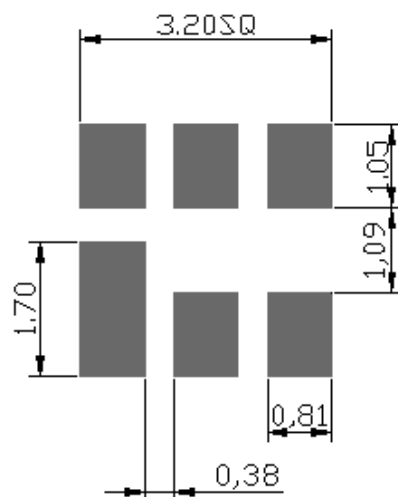


D. MEASUREMENT CIRCUIT:

HP Network analyzer



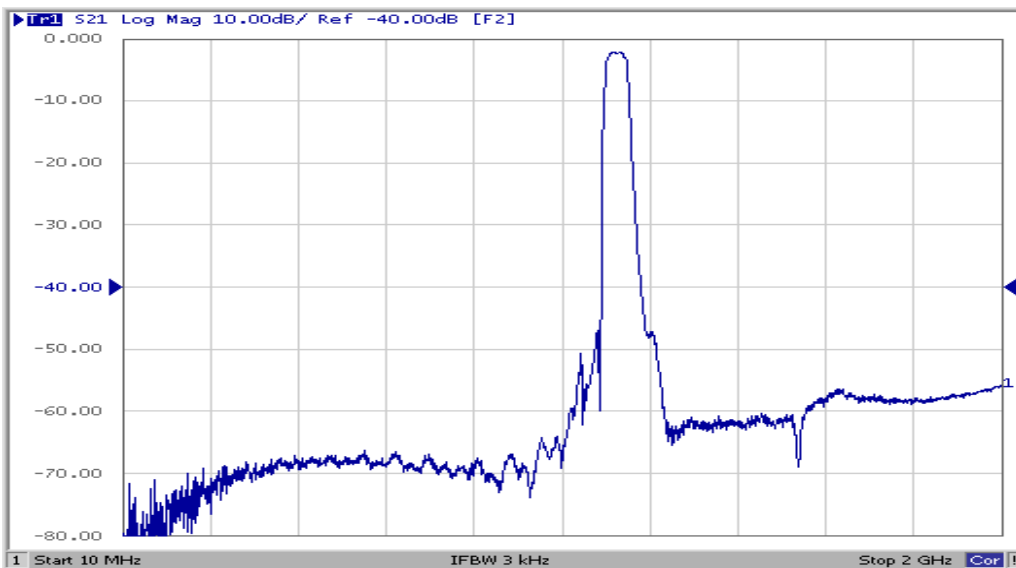
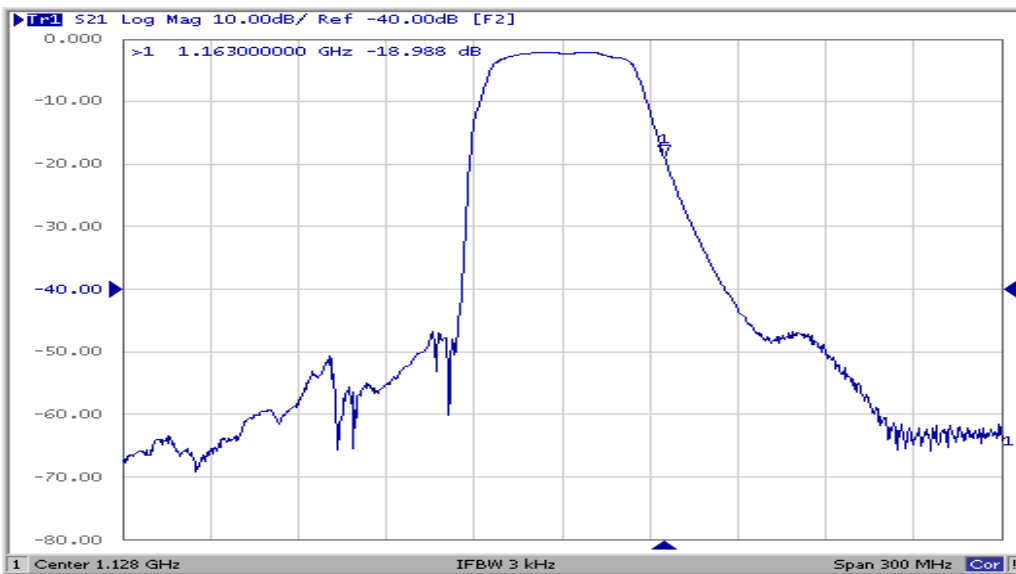
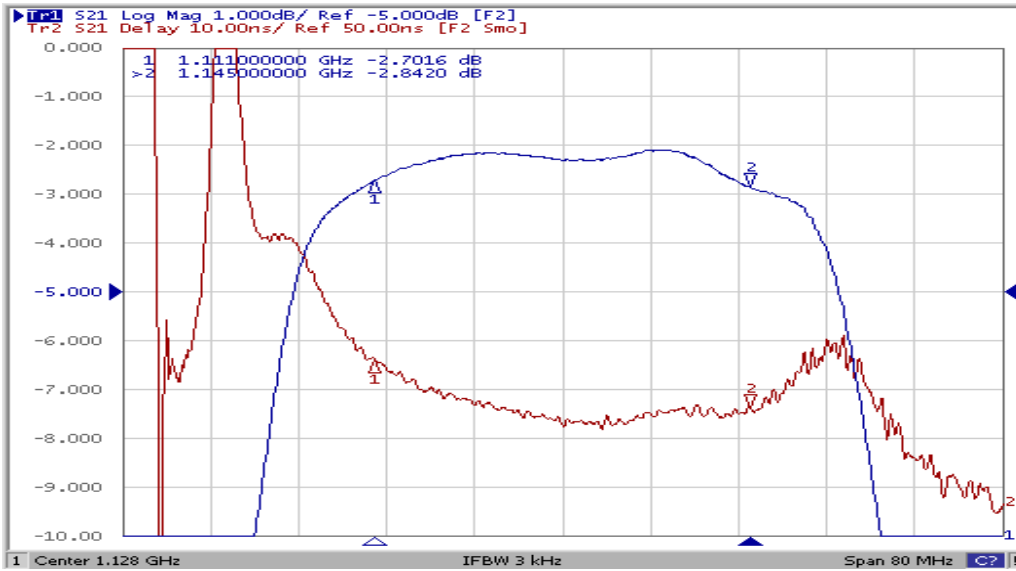
E. PCB FOOTPRINT:



SAW Filter 1128.0MHz
Part No: MP03793

Model: TA1413A
Rev No: 1

F. FREQUENCY CHARACTERISTICS:

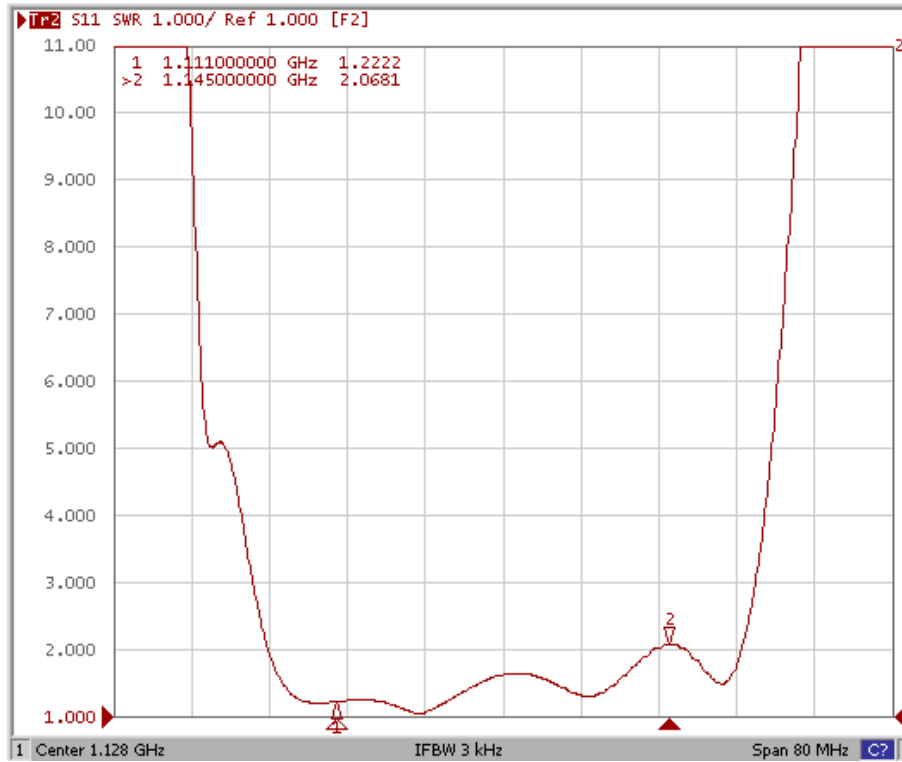


SAW Filter 1128.0MHz
Part No: MP03793

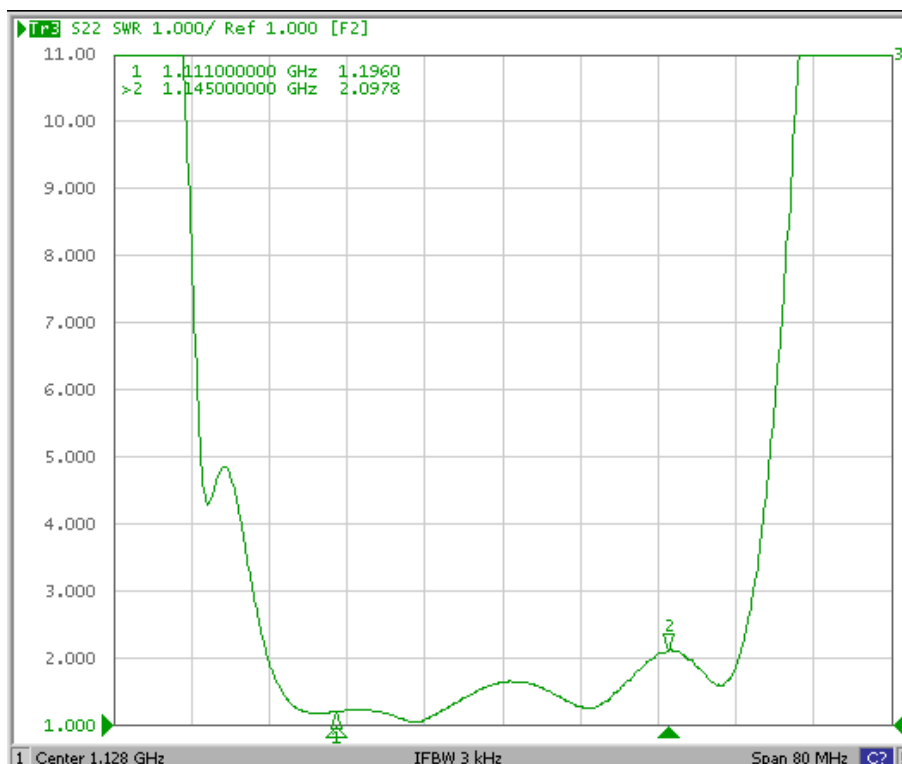
Model: TA1413A
Rev No: 1

Reflection Functions

S11



S22

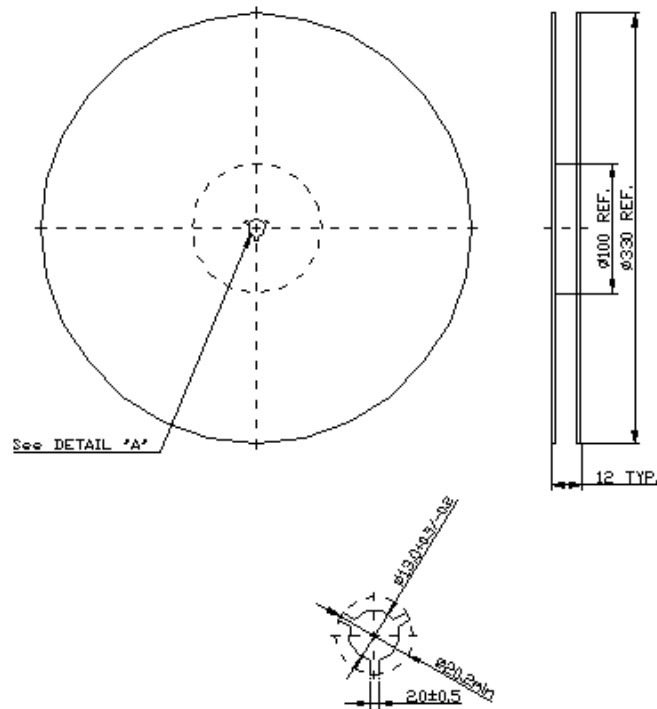


SAW Filter 1128.0MHz
Part No: MP03793

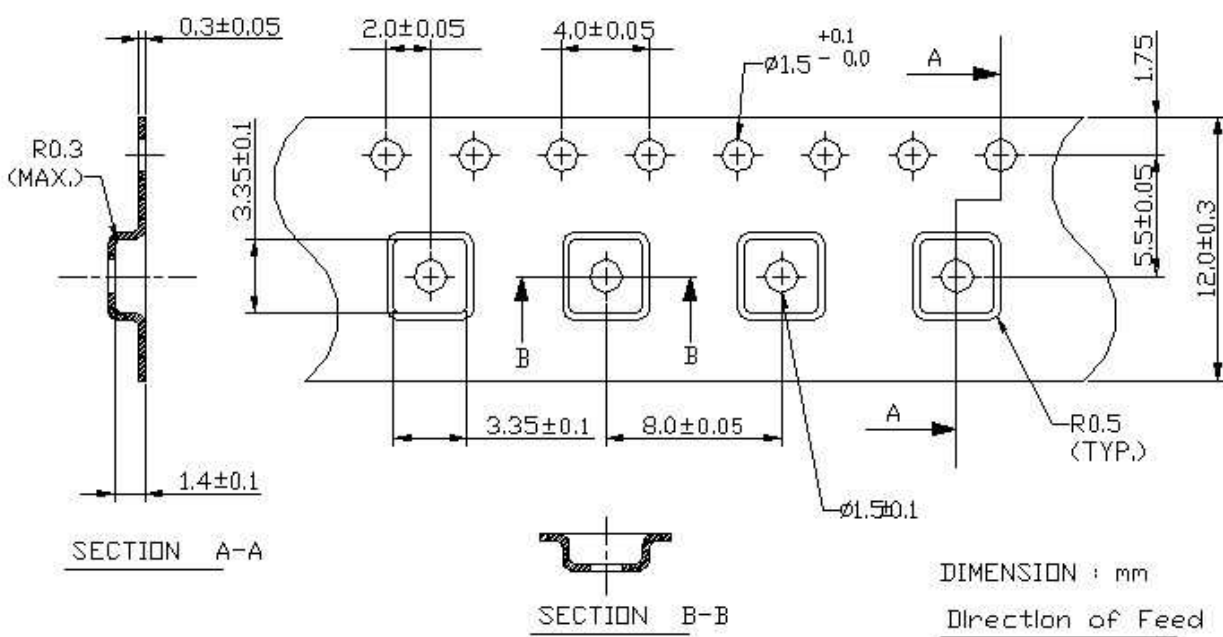
Model: TA1413A
Rev No: 1

G. PACKING:

1. Reel Dimension



2. Tape Dimension



SAW Filter 1128.0MHz
Part No: MP03793

Model: TA1413A
Rev No: 1

H. RECOMMENDED REFLOW PROFILE:

1. Preheating shall be fixed at 150 ~ 180°C for 60 ~ 90 seconds.
2. Ascending time to preheating temperature 150°C shall be 30 seconds min.
3. Heating shall be fixed at 220°C for 50 ~ 80 seconds and at 245 ~ 260°C peak (min 10sec).
4. Time: 2 times.

