

SAW Filter 836.50MHz
Part No: MP03450

Model: TA0968A
Rev No: 1

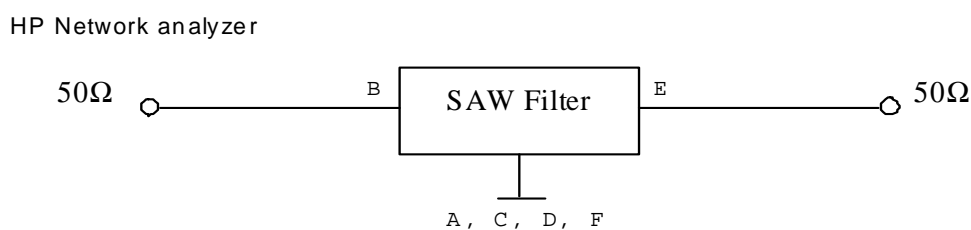
A. MAXIMUM RATING:

1. Input Power Level: 10dBm
2. DC Voltage: 3V
3. Operating Temperature: -30°C to +85°C
4. Storage Temperature: -40°C to +95°C

B. ELECTRICAL CHARACTERISTICS:

Item	Unit	Min.	Typ.	Max.	Note
Center Frequency Fc	MHz	-	836.5	-	-
Insertion Loss (824 ~ 849MHz) IL	dB	-	2.5	3.1	-
Amplitude Ripple (824 ~ 849MHz)	dB	-	0.9	1.5	-
VSWR (824 ~ 849MHz)		-	1.7	2	-
Relative Attenuation (relative to 0dB)					
10 ~ 800MHz	dB	30	51	-	-
869 ~ 894MHz	dB	20	26.5	-	-
894 ~ 920MHz	dB	34	39	-	-
920 ~ 1210MHz	dB	40	60	-	-
1210 ~ 1500MHz	dB	30	58	-	-
1500 ~ 2000MHz	dB	25	45	-	-
2000 ~ 2600MHz	dB	20	33	-	-
2600 ~ 3000MHz	dB	15	28	-	-

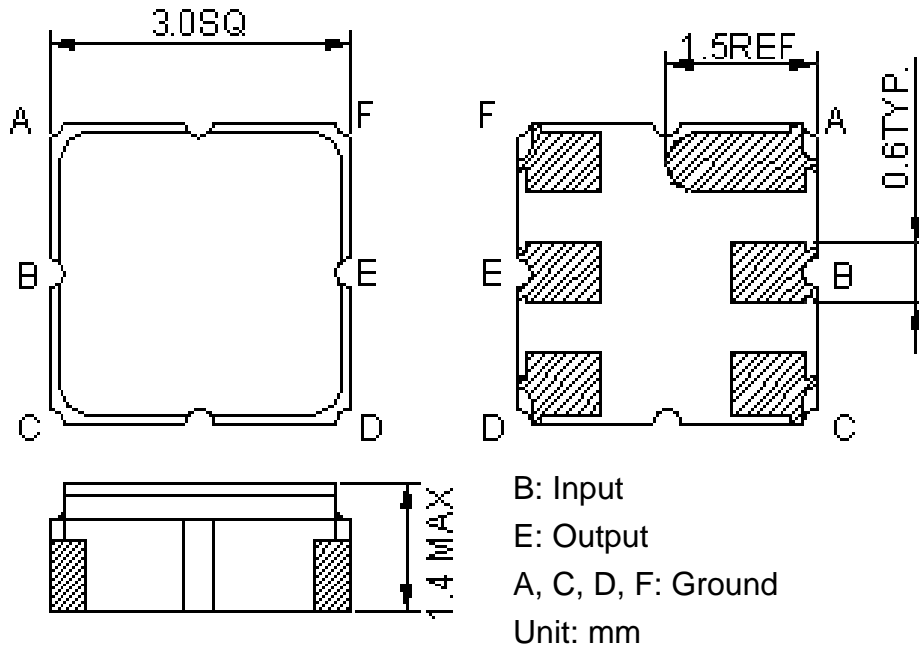
C. MEASUREMENT CIRCUIT:



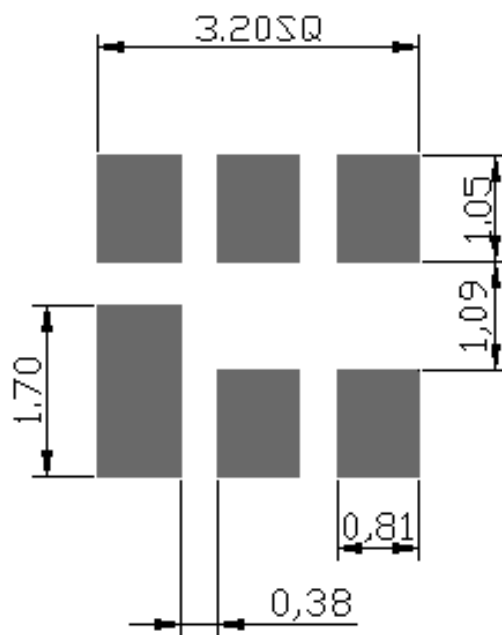
SAW Filter 836.50MHz
Part No: MP03450

Model: TA0968A
Rev No: 1

D. OUTLINE DRAWING:



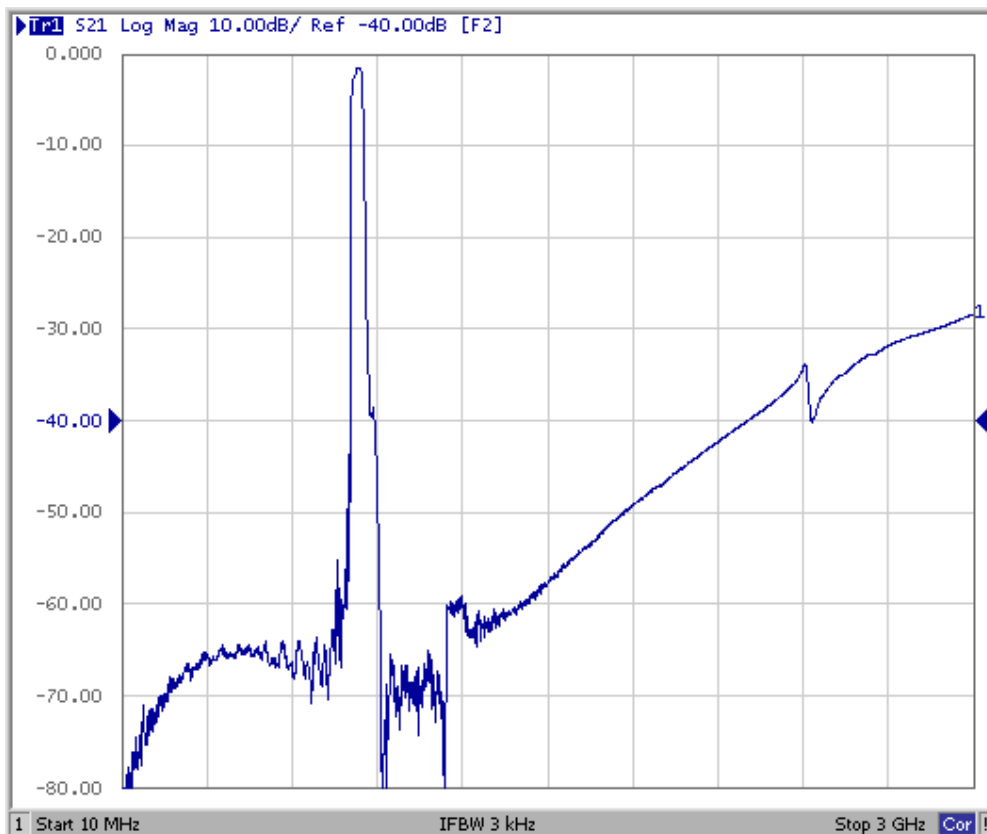
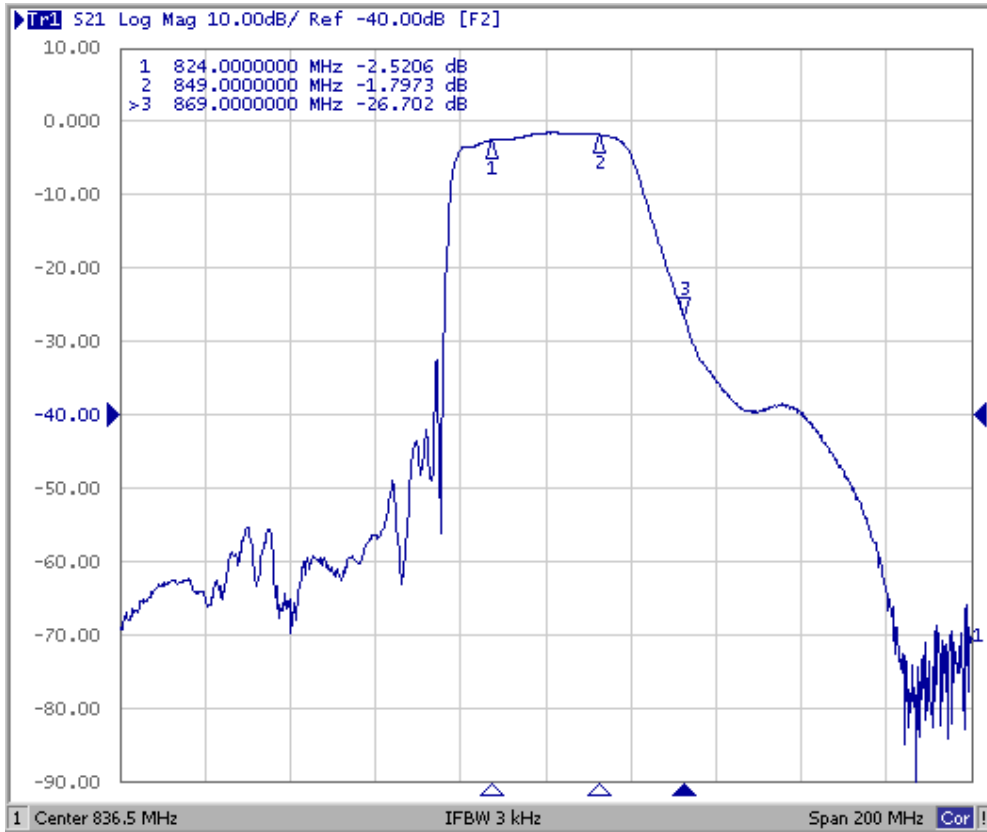
E. PCB FOOTPRINT:



SAW Filter 836.50MHz
Part No: MP03450

Model: TA0968A
Rev No: 1

F. FREQUENCY CHARACTERISTICS:

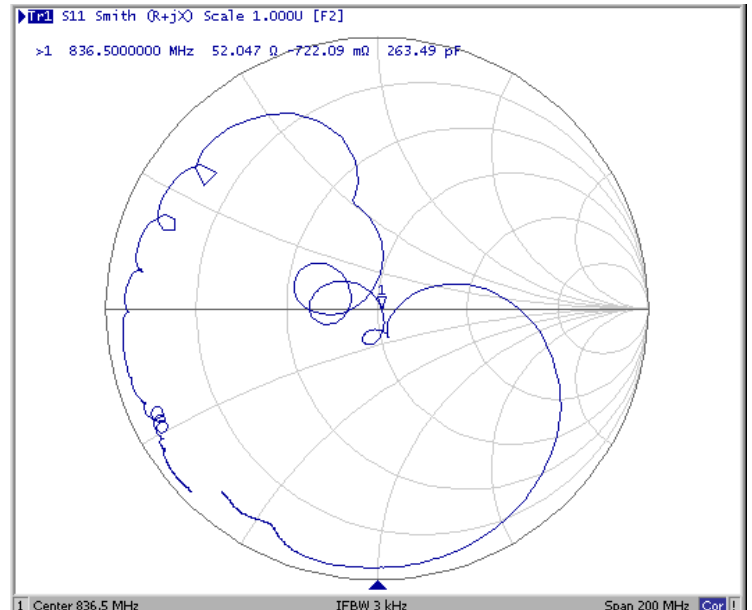
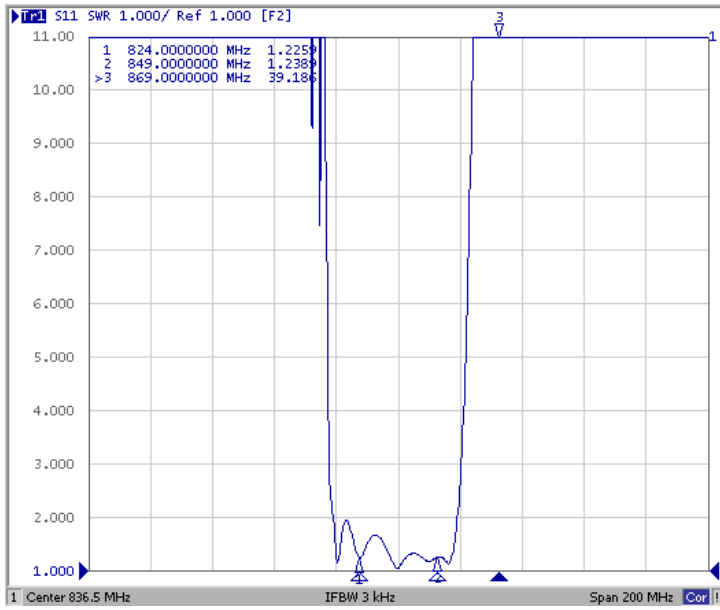


SAW Filter 836.50MHz
Part No: MP03450

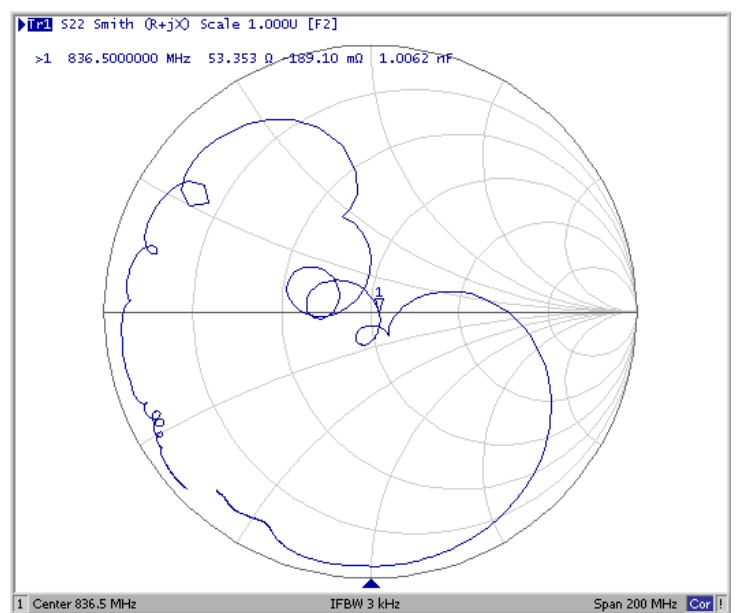
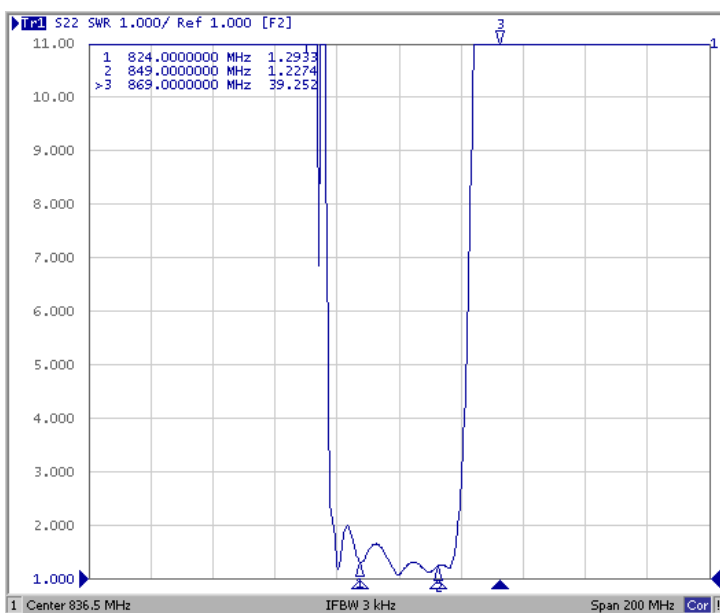
Model: TA0968A
Rev No: 1

Reflections Functions

S11 VSWR



S22 VSWR



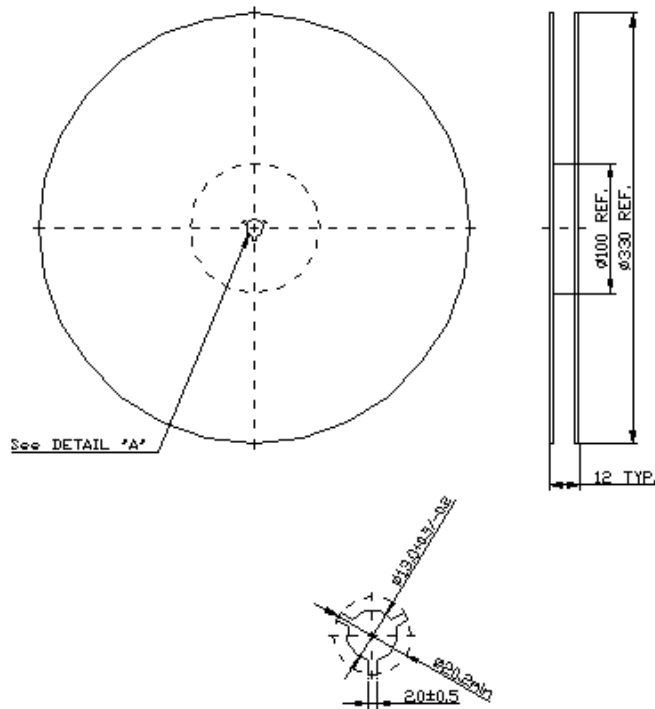
SAW Filter 836.50MHz
Part No: MP03450

Model: TA0968A
Rev No: 1

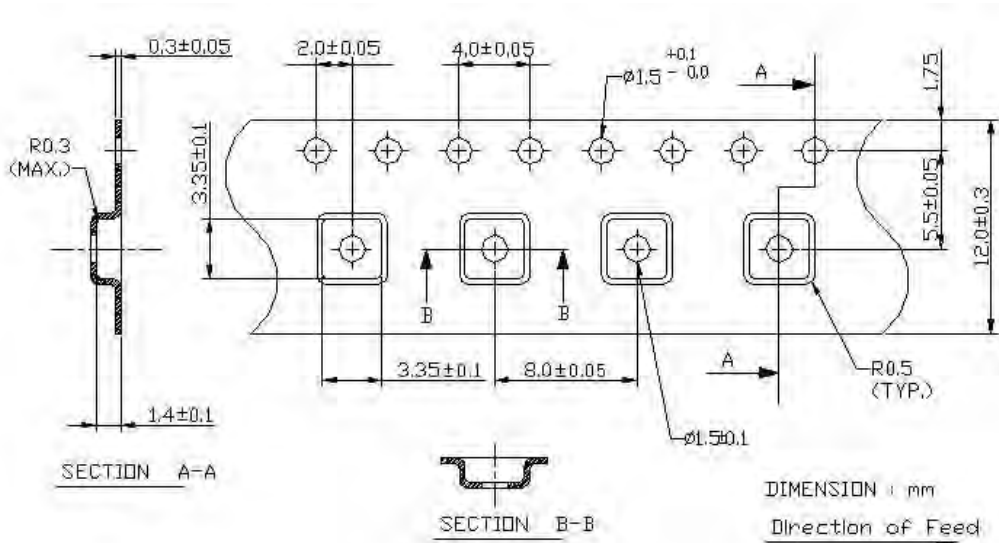
G. PACKING:

1. REEL DIMENSION

(Reel Count: 7" = 1000; 13" = 3000)



2. TAPE DIMENSION



SAW Filter 836.50MHz
Part No: MP03450

Model: TA0968A
Rev No: 1

H. RECOMMENDED REFLOW PROFILE:

