

SAW Filter 742.50MHz
Part No: MP03363

Model: TA1016A
Rev No: 1

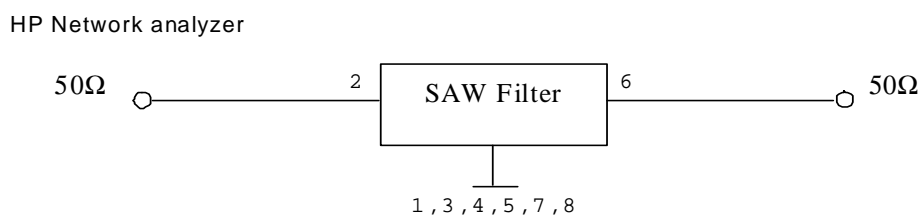
A. MAXIMUM RATING:

1. Input Power Level: 10dBm
2. DC Voltage: 3V
3. Operating Temperature: -30°C to +85°C
4. Storage Temperature: -40°C to +85°C

B. ELECTRICAL CHARACTERISTICS:

Item	Unit	Min.	Typ.	Max.	Note
Center Frequency Fc	MHz	-	742.5	-	-
Insertion loss (727 ~ 758MHz) IL	dB	-	2.3	4	-
Bandwidth @ -2.5dB	MHz	31	37	-	-
Amplitude Ripple (less than 2.0 dB in any 11MHz portion of the specified band)	dB	-	0.7	2.5	-
Attenuation (Reference level from 0dB)					
300 ~ 650MHz	dB	28	55	-	-
698 ~ 716MHz	dB	10	45	-	-
776 ~ 787MHz	dB	10	31	-	-
840 ~ 1050MHz	dB	28	49	-	-
Temperature Coefficient of Frequency	ppm/°C	-	-36	-	-

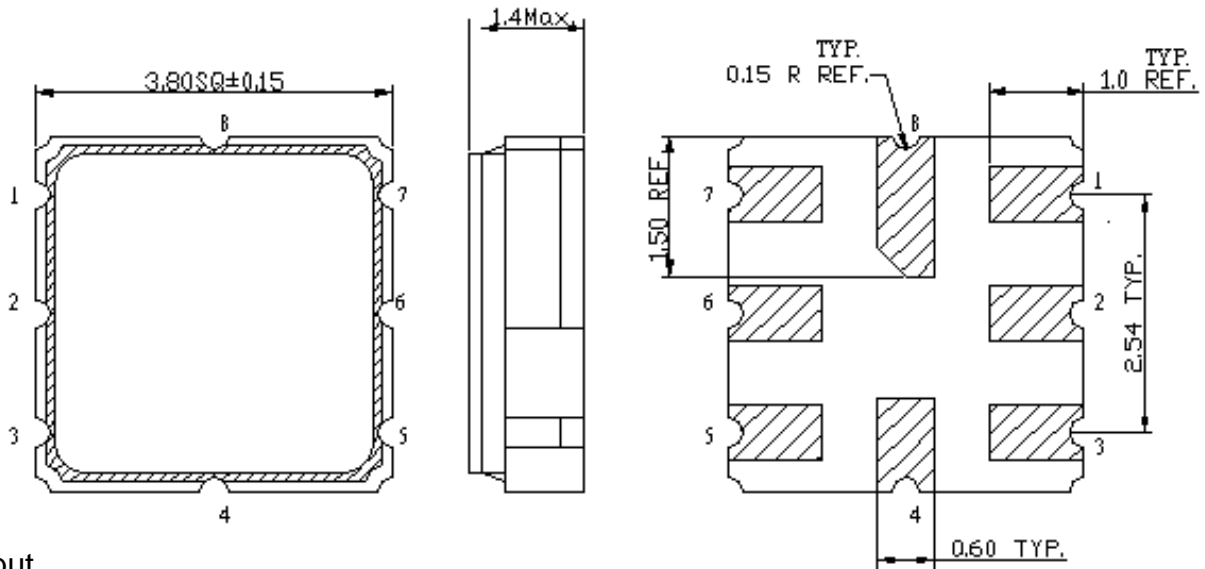
C. MEASUREMENT CIRCUIT:



SAW Filter 742.50MHz
Part No: MP03363

Model: TA1016A
Rev No: 1

D. OUTLINE DRAWING:



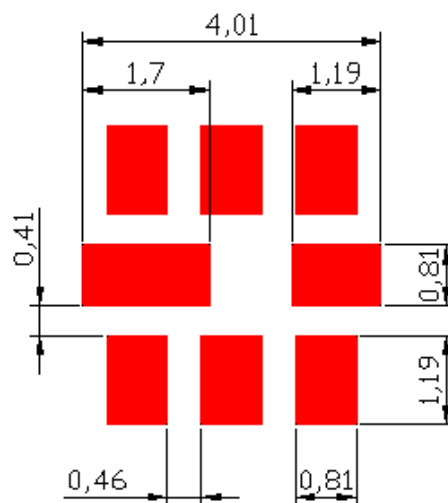
2: Input

6: Output

1, 3, 4, 5, 7, 8: Ground

Unit: mm

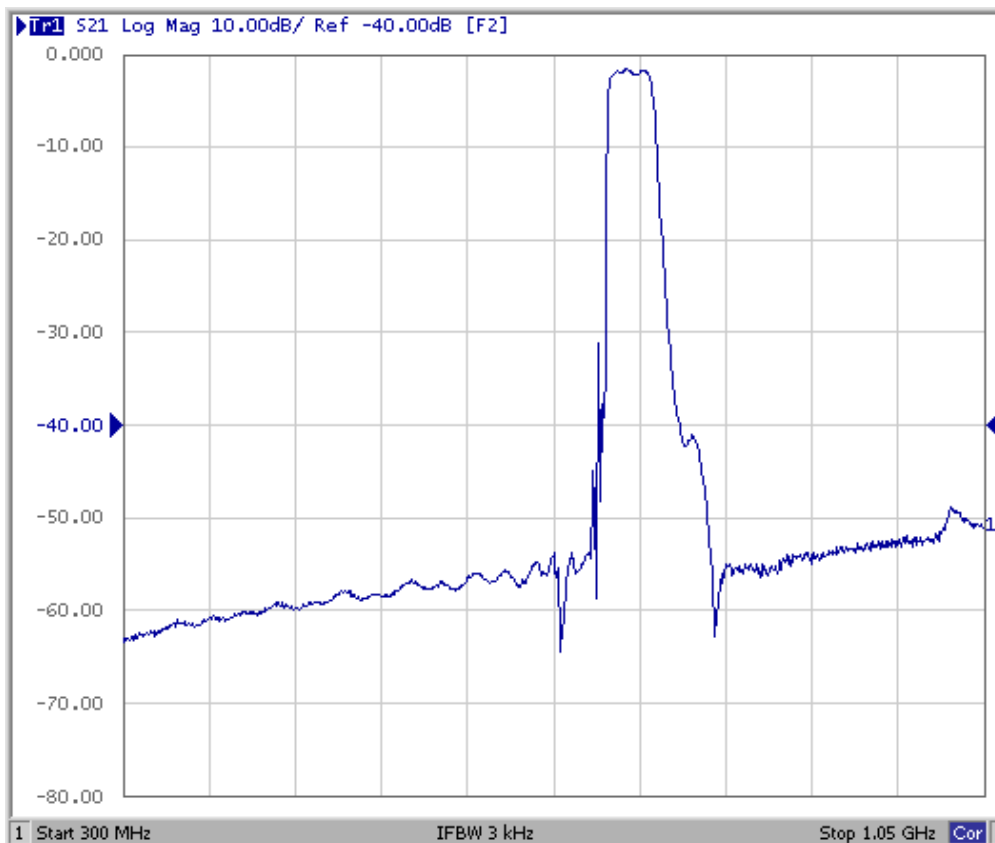
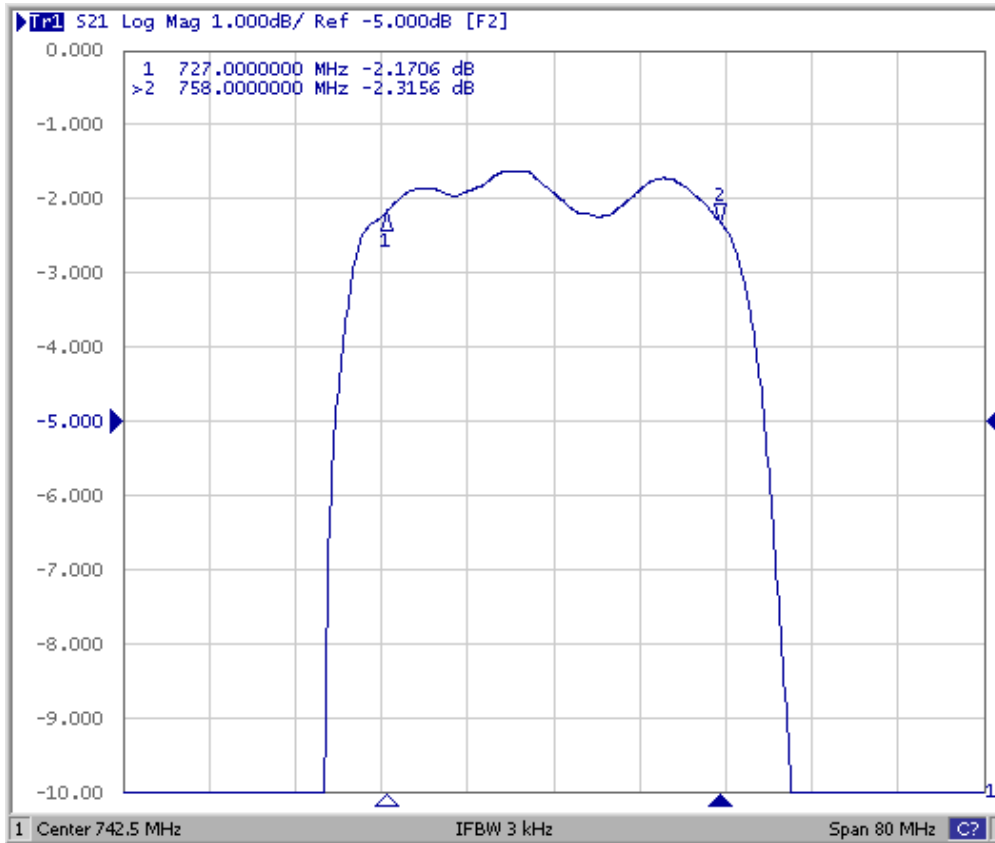
E. PCB FOOTPRINT:



SAW Filter 742.50MHz
Part No: MP03363

Model: TA1016A
Rev No: 1

F. FREQUENCY CHARACTERISTICS:



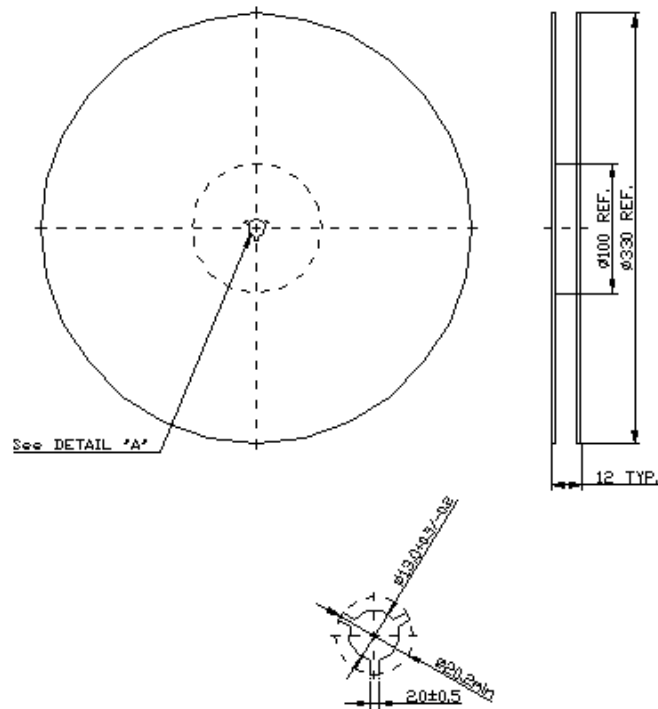
SAW Filter 742.50MHz
Part No: MP03363

Model: TA1016A
Rev No: 1

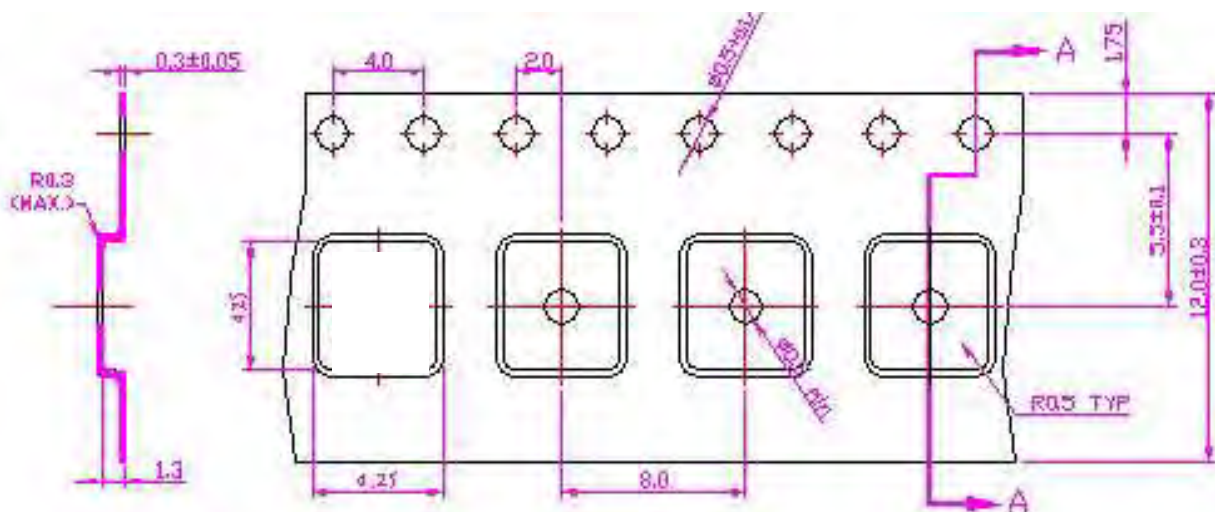
G. PACKING:

1. Reel Dimension

(Reel Count: 7" = 1000; 13" = 3000)

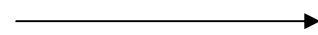


2. Tape Dimension



Section A-A

Direction of Feed



SAW Filter 742.50MHz
Part No: MP03363

Model: TA1016A
Rev No: 1

H. RECOMMENDED REFLOW PROFILE:

