

**SAW Filter: 836.50MHz**  
**Part No: MP03358**

**Model: TA0609A**  
**Rev No: 1**

**A. MAXIMUM RATING:**

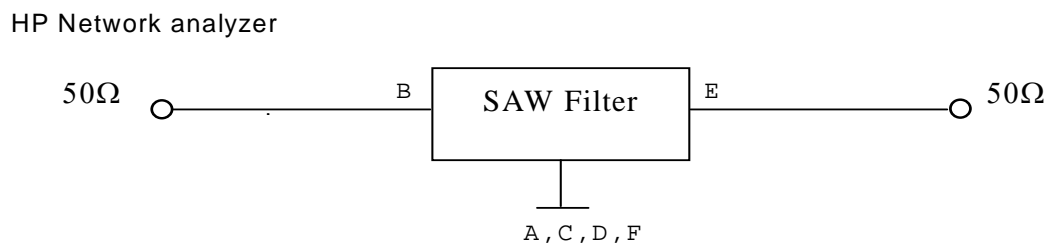
1. Input Power Level: 10 dBm
2. DC Voltage : 3V
3. Operating Temperature: -20°C to +75°C
4. Storage Temperature: -40°C to +85°C

RoHS Compliant  
 Lead free  
 Lead-free soldering

**B. ELECTRICAL CHARACTERISTICS:**

| Item   | Unit | Min. | Typ.  | Max. | Note |
|--|------|------|-------|------|------|
| <b>Center Frequency</b> <b>Fc</b>              | MHz  | -    | 836.5 | -    | -    |
| <b>Insertion Loss (821.5 ~ 851.5 MHz) IL</b>   | dB   | -    | 2.7   | 4    | -    |
| <b>Amplitude Ripple (821.5 ~ 851.5 MHz)</b>    | dB   | -    | 1.2   | 2    | -    |
| <b>VSWR (821.5 ~ 851.5 MHz)</b>                |      | -    | 1.5   | 2.2  | -    |
| <b>Relative Attenuation (relative to 0 dB)</b> |      |      |       |      |      |
| D.C. ~ 696 MHz                                 | dB   | 50   | 64    | -    | -    |
| 956 ~ 1500 MHz                                 | dB   | 50   | 59    | -    | -    |
| 1500 ~ 2000 MHz                                | dB   | 30   | 45    | -    | -    |

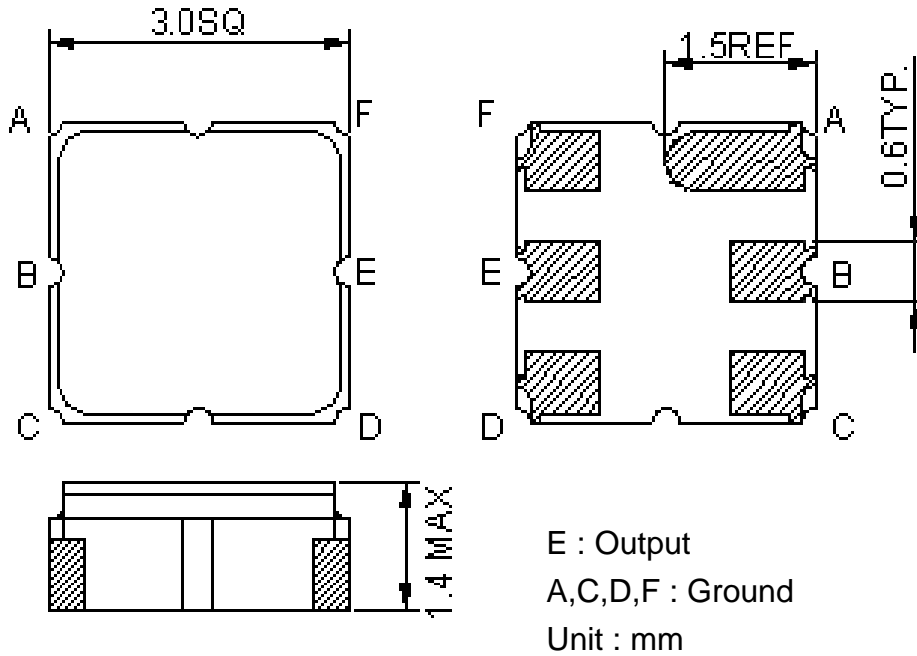
**C. MEASUREMENT CIRCUIT:**



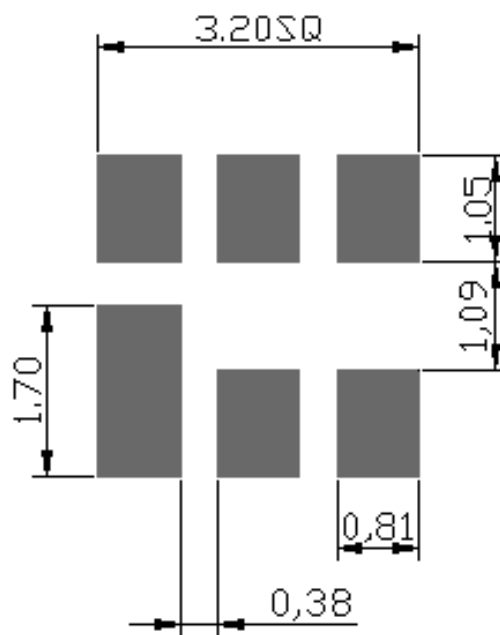
**SAW Filter: 836.50MHz**  
**Part No: MP03358**

**Model: TA0609A**  
**Rev No: 1**

**D. OUTLINE DRAWING:**



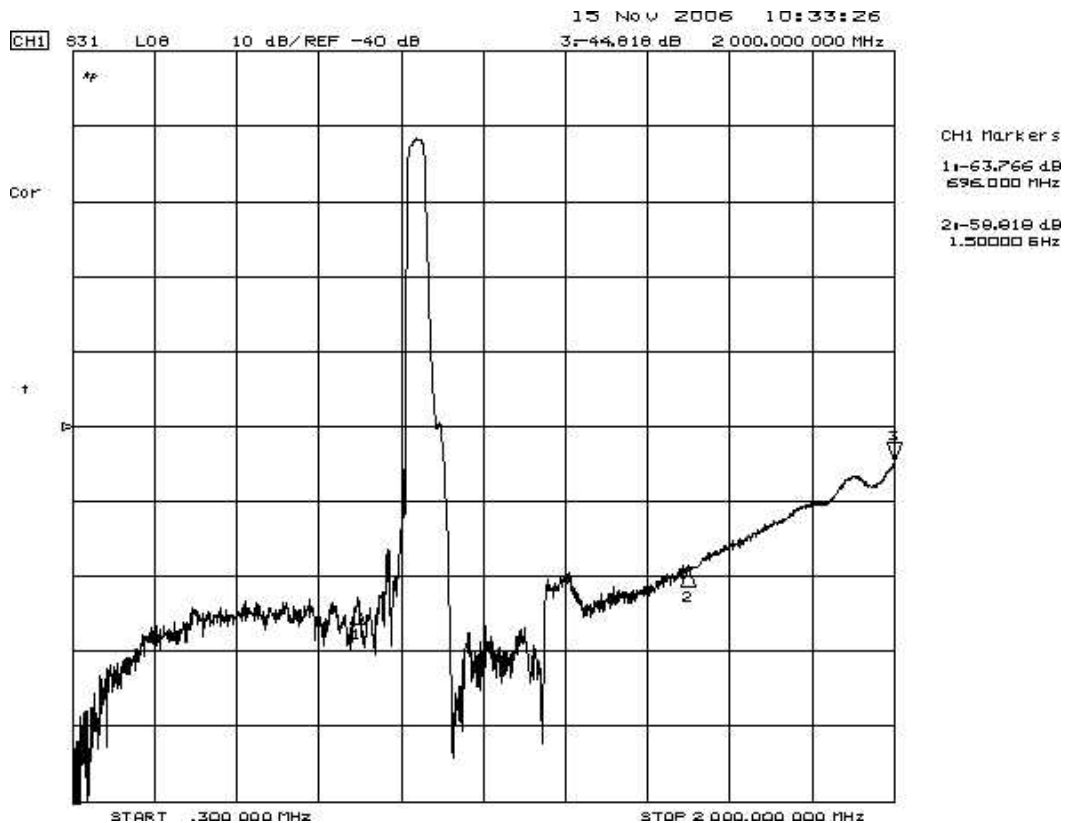
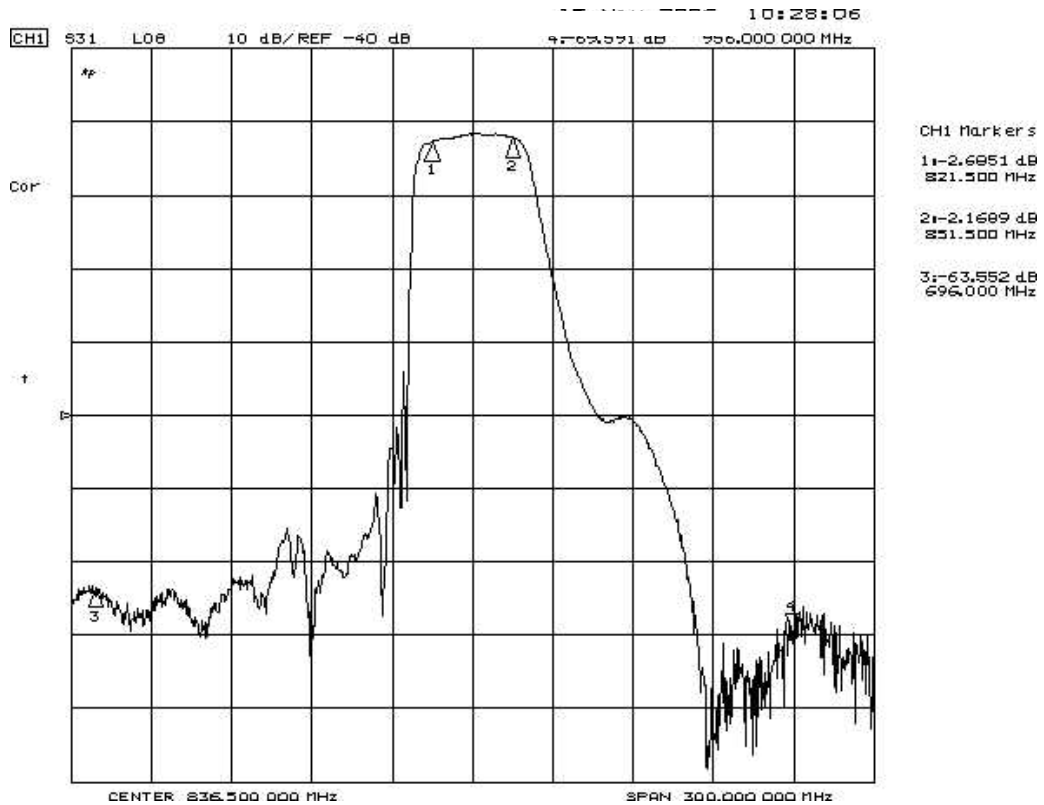
**E. PCB FOOTPRINT:**



**SAW Filter: 836.50MHz**  
**Part No: MP03358**

**Model: TA0609A**  
**Rev No: 1**

**F. FREQUENCY CHARACTERISTICS:**

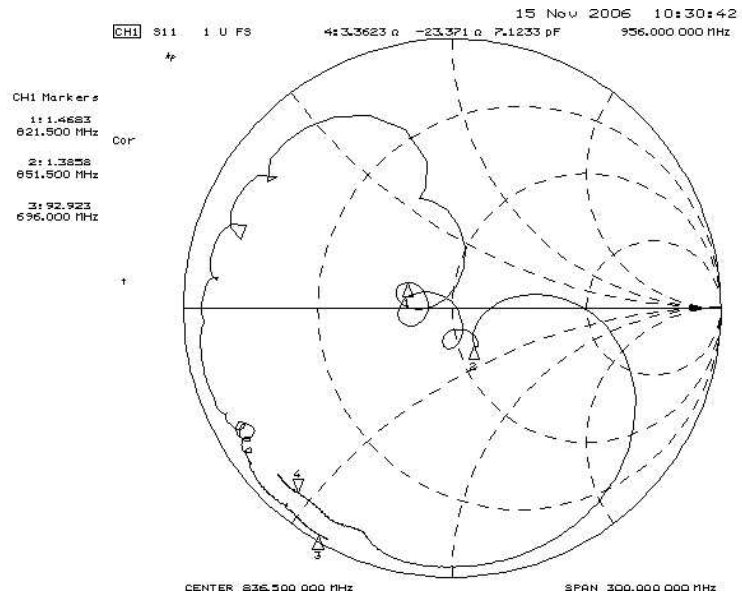
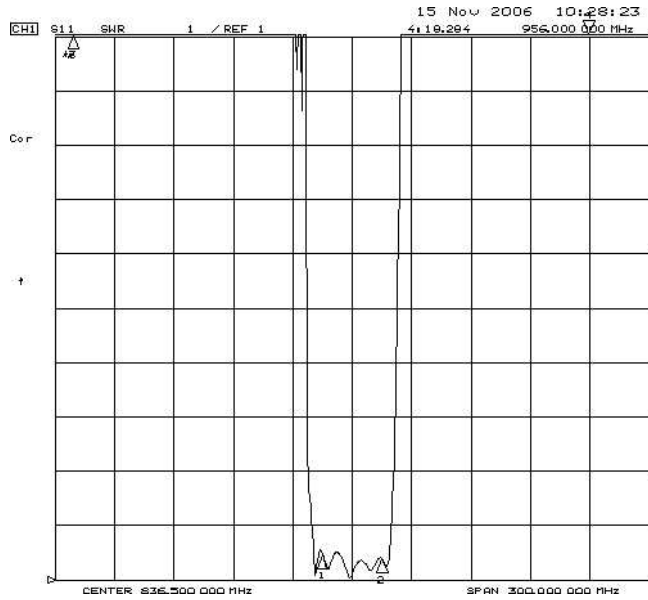


**SAW Filter: 836.50MHz**  
**Part No: MP03358**

**Model: TA0609A**  
**Rev No: 1**

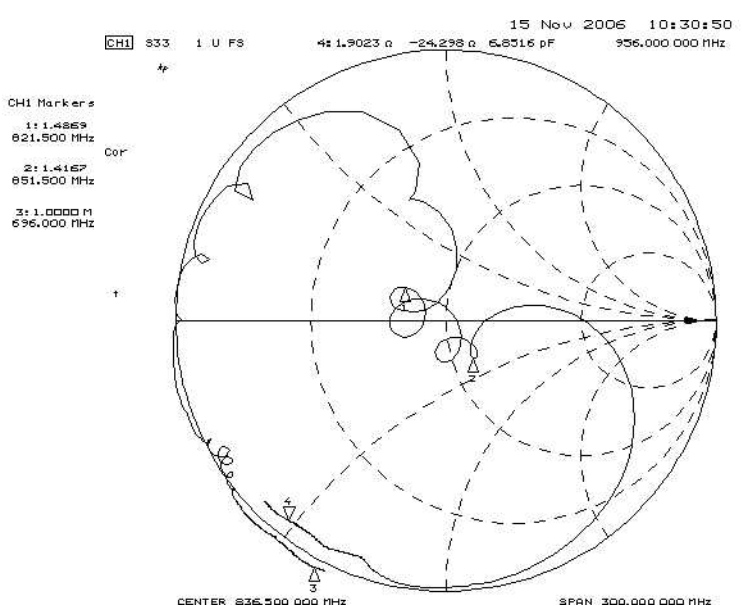
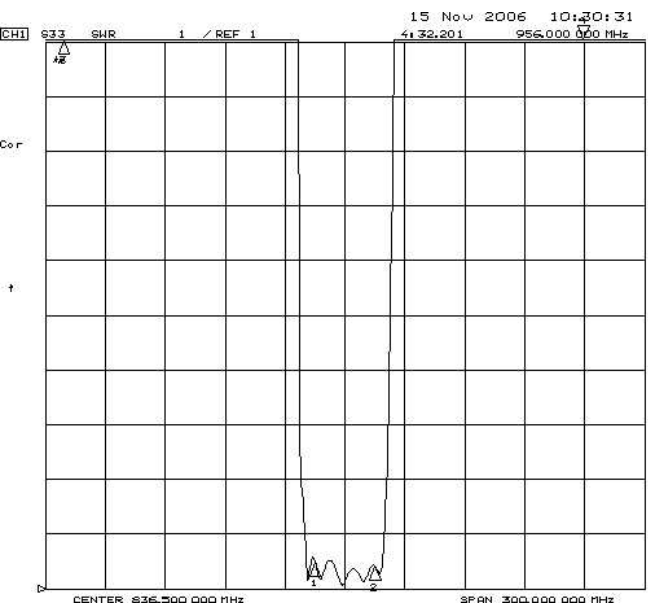
**Reflections Functions :**

**S11 VSWR**



CHI Markers  
 1: 35.361 a  
 6.9668 a  
 821.500 MHz  
 2: 56.512 a  
 -16.123 a  
 851.500 MHz  
 3: 0.7188 a  
 -20.531 a  
 696.000 MHz

**S22 VSWR**



CHI Markers  
 1: 35.657 a  
 9.2090 a  
 821.500 MHz  
 2: 59.007 a  
 -16.766 a  
 851.500 MHz  
 3: -1.1504 a  
 -29.930 a  
 696.000 MHz

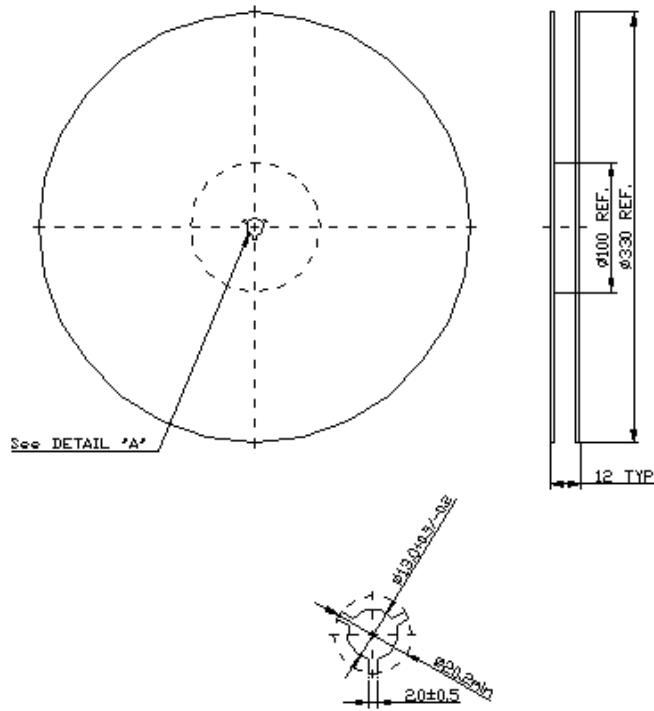
**SAW Filter: 836.50MHz**  
**Part No: MP03358**

**Model: TA0609A**  
**Rev No: 1**

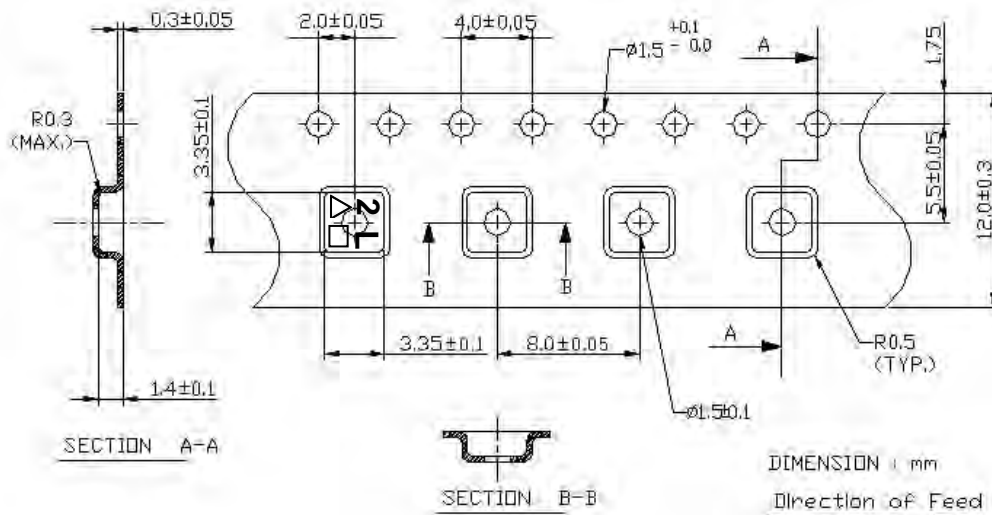
**G. PACKING:**

REEL DIMENSION

(Reel Count : 7"=1000 ; 13"=3000 )



TAPE DIMENSION



**SAW Filter: 836.50MHz**  
**Part No: MP03358**

**Model: TA0609A**  
**Rev No: 1**

**H. RECOMMENDED REFLOW PROFILE :**

