

SAW Filter 156.80MHz
Part No: MP03313

Model: TB0399A
Rev No: 1

A. MAXIMUM RATING:

1. Input Power Level: 10dBm
2. Operating Temperature: -30°C to +60°C
3. Storage Temperature: -40°C to +85°C

B. CHARACTERISTICS:

Ambient Temperature: 25°C

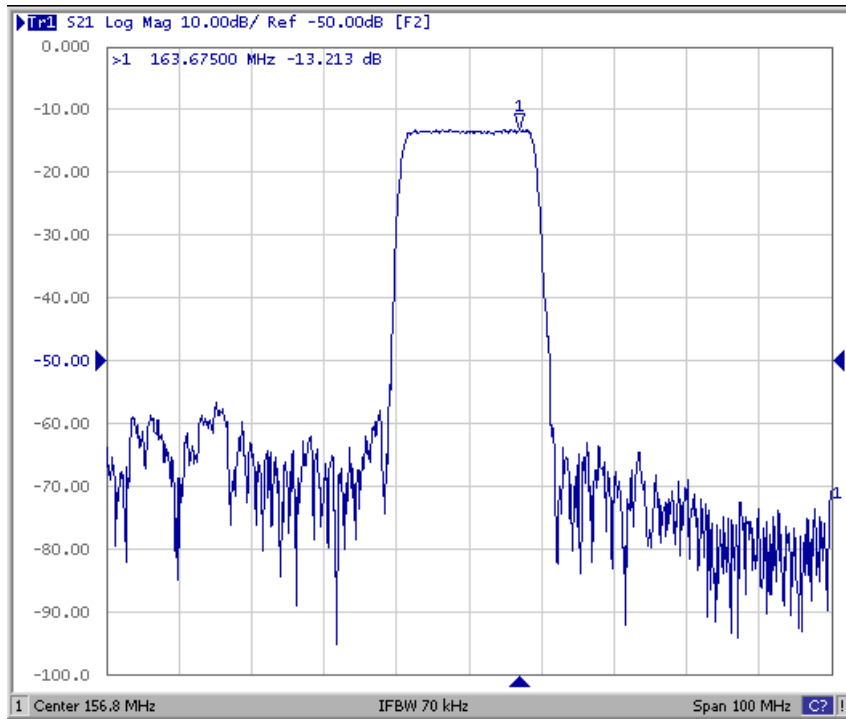
Characteristics	Value			Note
	Min.	Typ.	Max.	
Center frequency Fc MHz	-	156.8	-	-
Minimum Insertion loss IL dB	-	12.5	14	-
Ripple (Fc +7.5MHz ~ Fc -7.5MHz) MHz	-	0.7	1	
3dB Bandwidth MHz	15	18.1	-	
40dB Bandwidth MHz	-	22.0	23	
Substrate Material		YZLNO ₃		
Temperature Coefficient ppm/°C		-94		
Relative Rejection (Reference to Minimum Insertion loss)				
10 ~ 144MHz dB	40	44		
170 ~ 326MHz dB	40	48		

SAW Filter 156.80MHz
Part No: MP03313

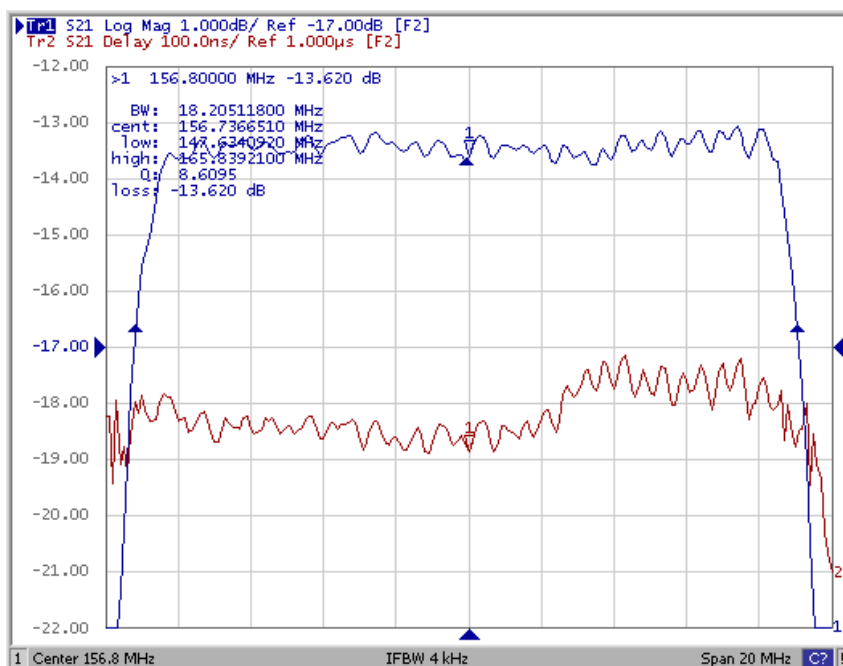
Model: TB0399A
Rev No: 1

C. FREQUENCY CHARACTERISTICS:

1. Frequency Response: (span: 100MHz)



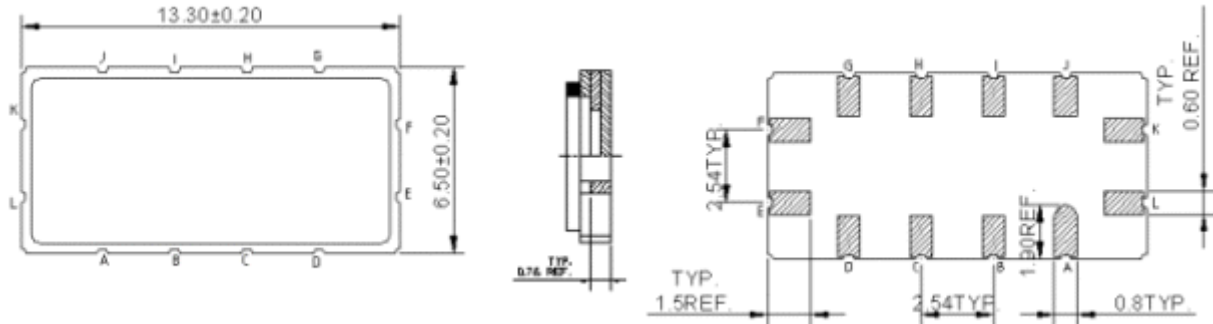
2. Passband response and Group Delay Variation: (span: 20MHz)



SAW Filter 156.80MHz
Part No: MP03313

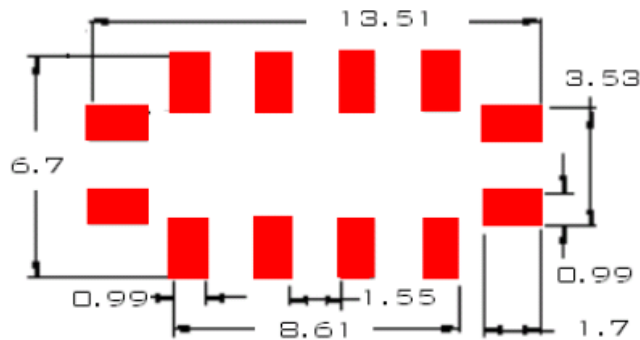
Model: TB0399A
Rev No: 1

D. OUTLINE DRAWING:

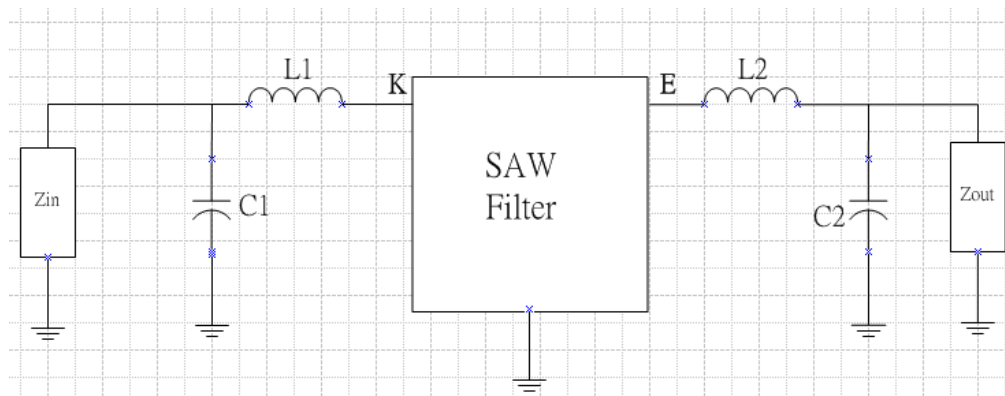


- K: RF Balance input +
 - L: RF Balance input -
 - E: RF Balance output +
 - F: RF Balance output -
 - A, B, C, D, G, H, I, J: To be Ground
- Unit: mm

E. PCB FOOTPRINT:



F. MATCHING CIRCUIT:



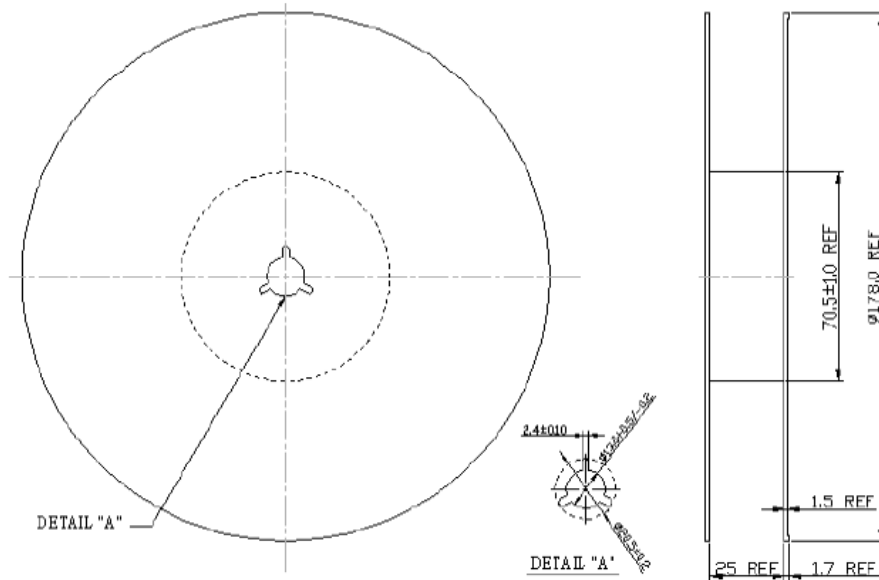
$Z_{IN}: 50\Omega$, $Z_{OUT}: 50\Omega$, $L1 = 82nH$, $C1 = 24pF$, $L2 = 47nH$, $C2 = 15pF$

SAW Filter 156.80MHz
Part No: MP03313

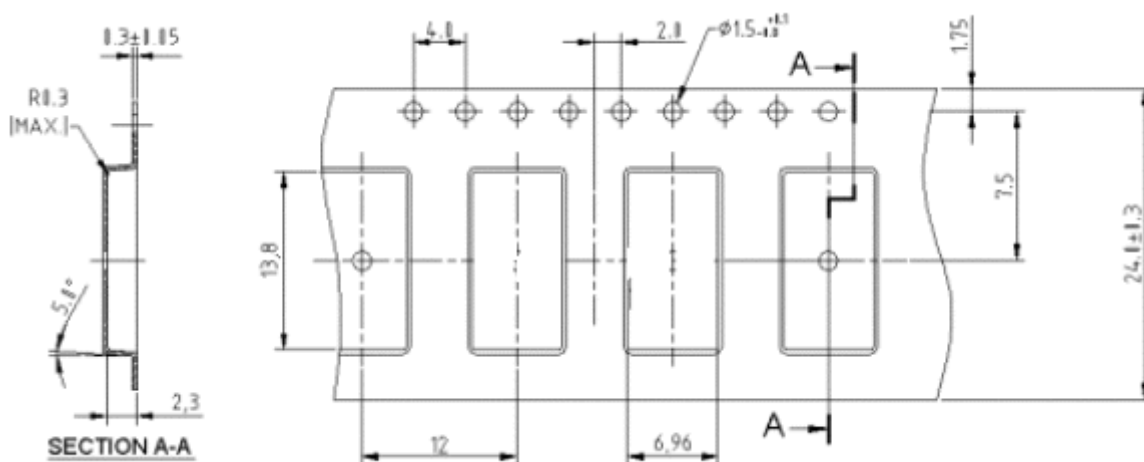
Model: TB0399A
Rev No: 1

G. PACKING:

1. REEL DIMENSION:



2. TAPE DIMENSION:



SAW Filter 156.80MHz
Part No: MP03313

Model: TB0399A
Rev No: 1

H. RECOMMENDED REFLOW PROFILE:

