

SAW Filter 638MHz
Part No: MP03212

Model: TA0963A
Rev No: 1

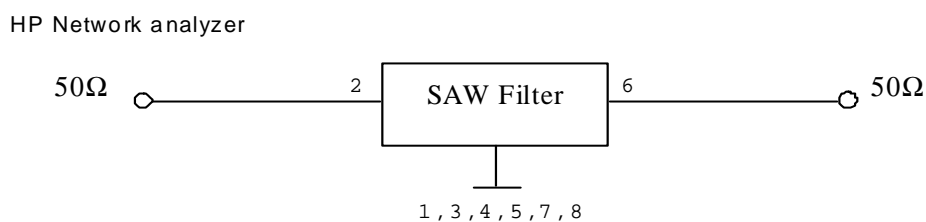
A. MAXIMUM RATING:

1. Input Power Level: 10dBm
2. DC Voltage: 3V
3. Operating Temperature: -20°C to +75°C
4. Storage Temperature: -40°C to +85°C

B. ELECTRICAL CHARACTERISTICS:

Item	Unit	Min.	Typ.	Max.	Note
Center Frequency Fc	MHz	-	638	-	-
Insertion loss (626 ~ 650MHz) IL	dB	-	2.3	4.5	-
Amplitude Ripple (626 ~ 650MHz)	dB	-	0.8	3	-
Group Delay Variation (626 ~ 650MHz)	ns	-	32	100	-
Attenuation (Reference level from 0dB)					
0 ~ 573MHz	dB	35	57	-	-
573 ~ 590MHz	dB	37	58	-	-
675 ~ 720MHz	dB	30	40	-	-
720 ~ 1000MHz	dB	35	50	-	-
1000 ~ 1500MHz	dB	30	47	-	-
Temperature Coefficient of Frequency	ppm/°C	-	-35	-	-

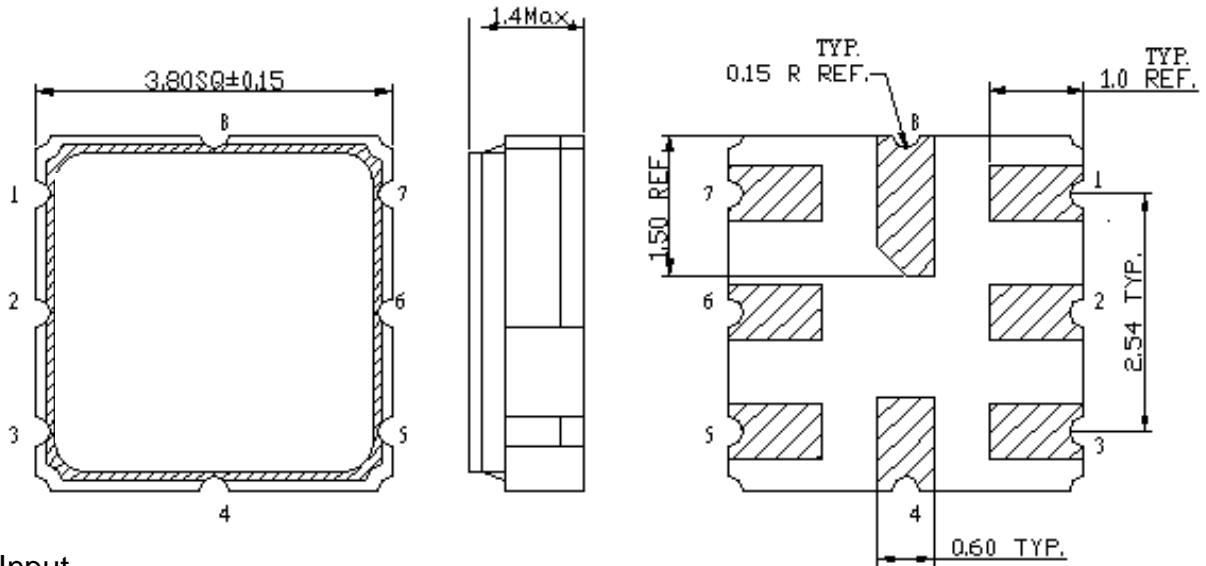
C. MEASUREMENT CIRCUIT:



SAW Filter 638MHz
Part No: MP03212

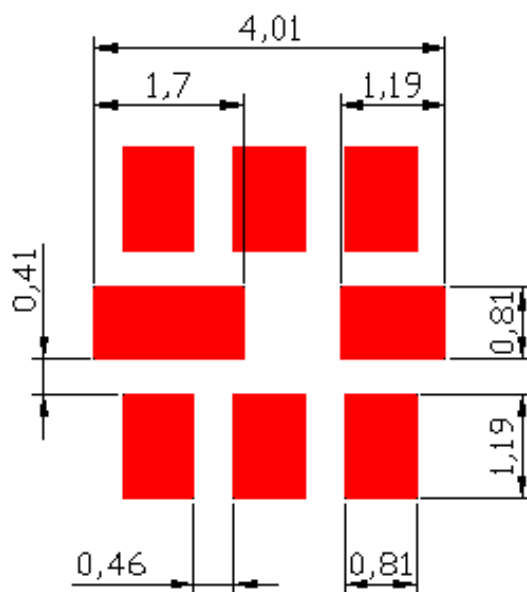
Model: TA0963A
Rev No: 1

D. OUTLINE DRAWING:



- 2: Input
- 6: Output
- 1, 3, 4, 5, 7, 8: Ground
- Unit: mm

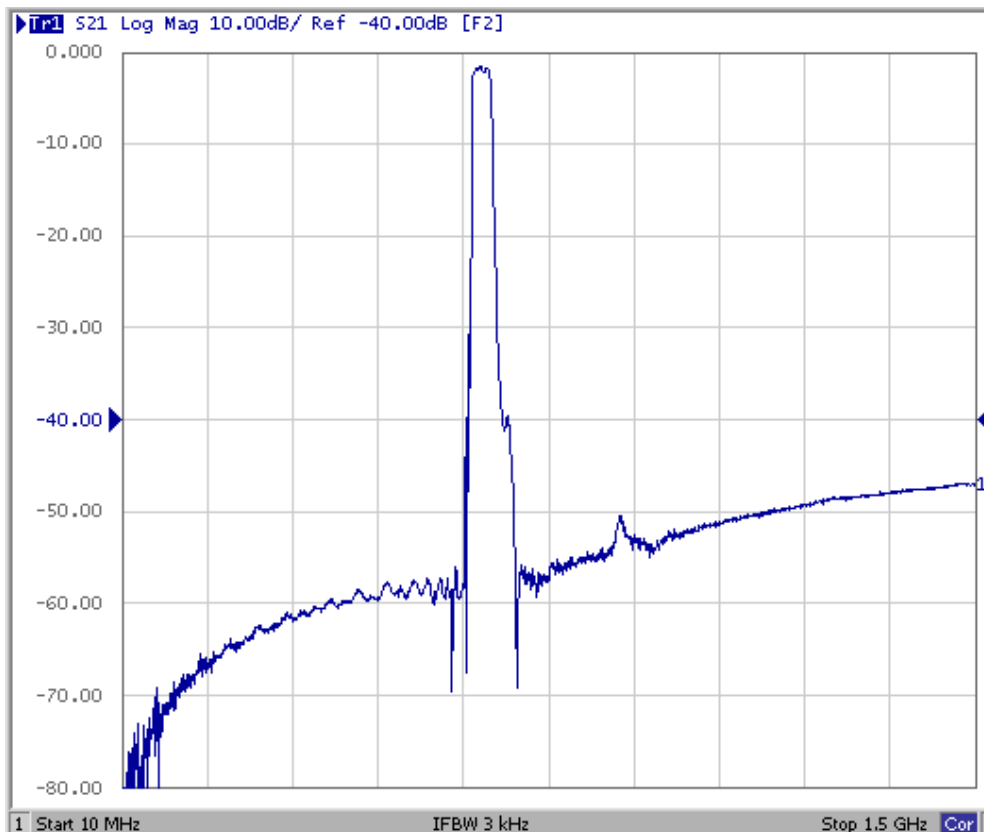
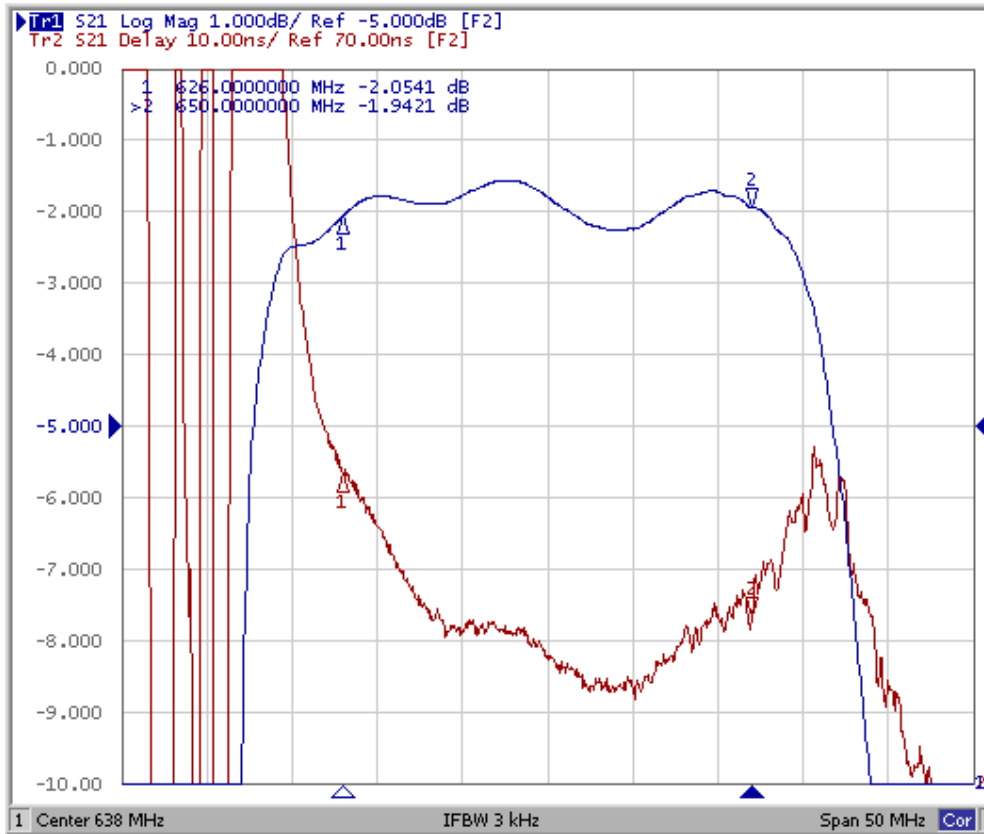
E. PCB FOOTPRINT:



SAW Filter 638MHz
Part No: MP03212

Model: TA0963A
Rev No: 1

F. FREQUENCY CHARACTERISTICS:



SAW Filter 638MHz
Part No: MP03212

Model: TA0963A
Rev No: 1

H. RECOMMENDED REFLOW PROFILE:

