

SAW Filter 72.96MHz
Part No: MP03208

Model: TB0466A
Rev No: 3

A. MAXIMUM RATING:

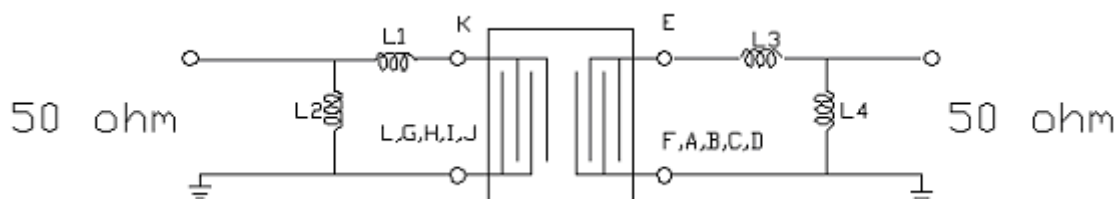
1. Operating Temperature: -20°C ~ 70°C
2. Storage Temperature: -40°C ~ +85°C
3. Input Power Level: 10dBm

B. CHARACTERISTICS:

Ambient Temperature: 25°C

Characteristics	Value			Note
	Min.	Typ.	Max.	
Center frequency Fc MHz	-	72.96	-	-
Minimum Insertion loss IL dB	-	11	14	-
Passband Ripple (69.96 ~ 75.96MHz) dB	-	0.5	1.0	-
Group Delay Ripple (69.96 ~ 75.96MHz) nsec	-	108	200	-
Group Delay (mean value in PassBand) usec	-	1.1	1.3	-
Input Return Loss (69.96 ~ 75.96MHz) dB	12	16	-	-
Output Return Loss (69.96 ~ 75.96MHz) dB	8	12	-	-
Attenuation: (Reference level from minimum insertion loss) dB				
DC 60MHz dB	40	57	-	-
60MHz 67.96MHz dB	25	37	-	-
82MHz 130MHz dB	38	42	-	-
Temp Coefficient ppm/°C	-	-23	-	-

C. TEST FIXTURE:



L1 = 27nH, L2 = 36nH, L3 = 22nH, L4 = 47nH

SAW Filter 72.96MHz
Part No: MP03208

Model: TB0466A
Rev No: 3

D. FREQUENCY CHARACTERISTICS:

1. S21 Response

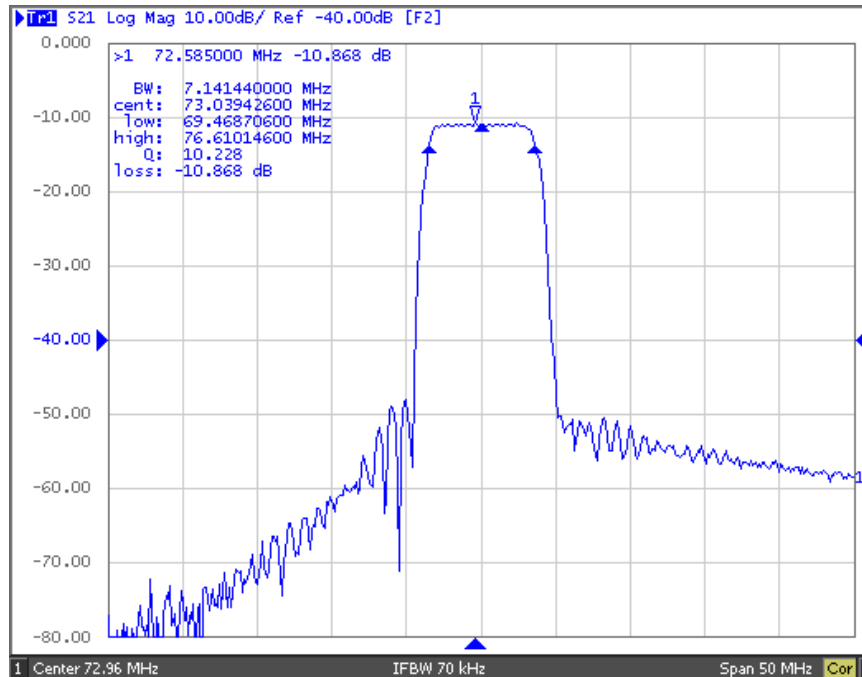


Fig. 1. S21 Response Horizontal: 5MHz; Vertical: 10dB/Div

2. Passband Response

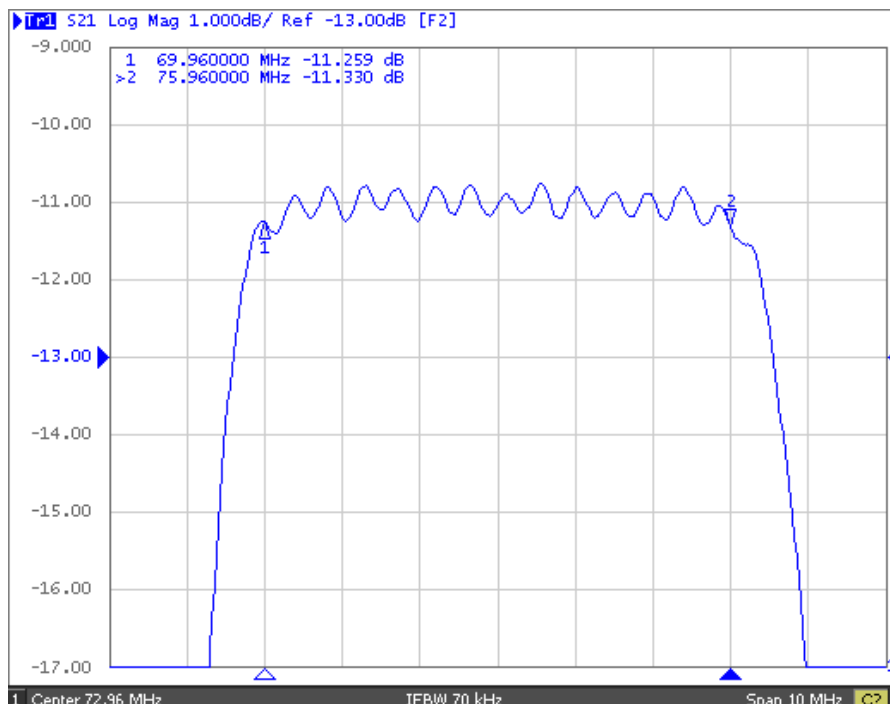


Fig. 2. Passband Horizontal: 1MHz; Vertical: 1dB/Div

SAW Filter 72.96MHz
Part No: MP03208

Model: TB0466A
Rev No: 3

3. Group Delay

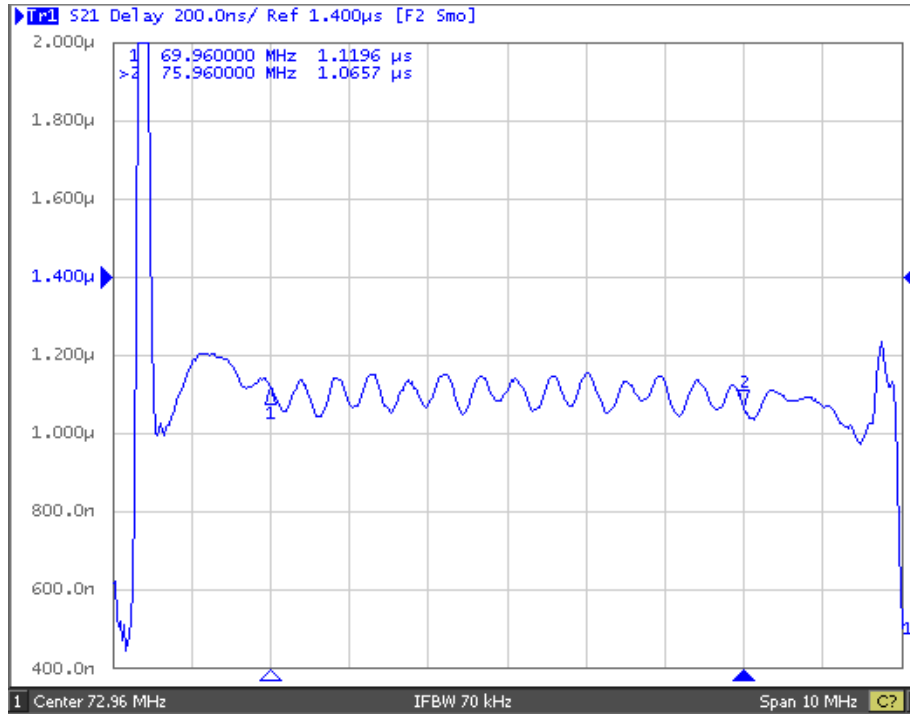
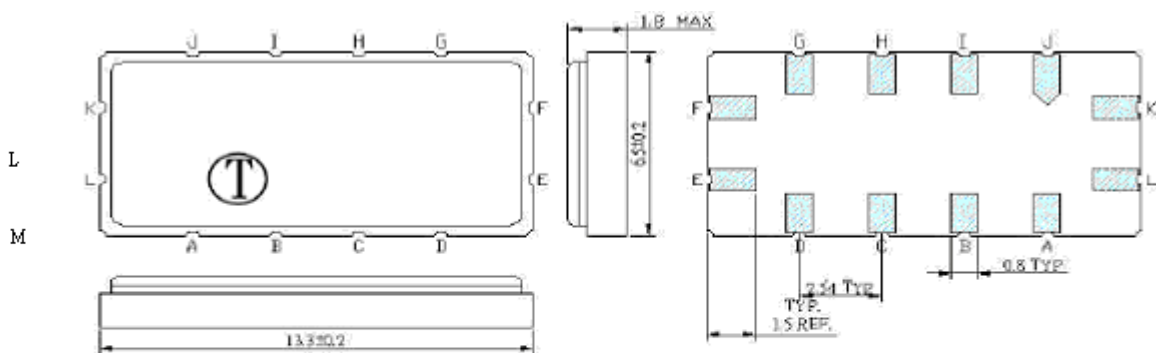


Fig. 2. Group Delay Horizontal: 1MHz; Vertical: 200nS/Div

E. OUTLINE DRAWING:



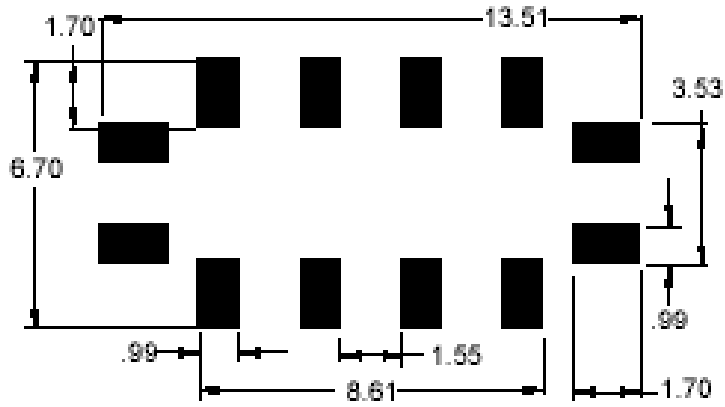
Unit: mm

- K: RF Input
- L: RF Input ground
- E: RF Output
- F: RF Output ground
- A, B, C, D, G, H, I, J: To be ground

SAW Filter 72.96MHz
Part No: MP03208

Model: TB0466A
Rev No: 3

F. PCB FOOTPRINT:

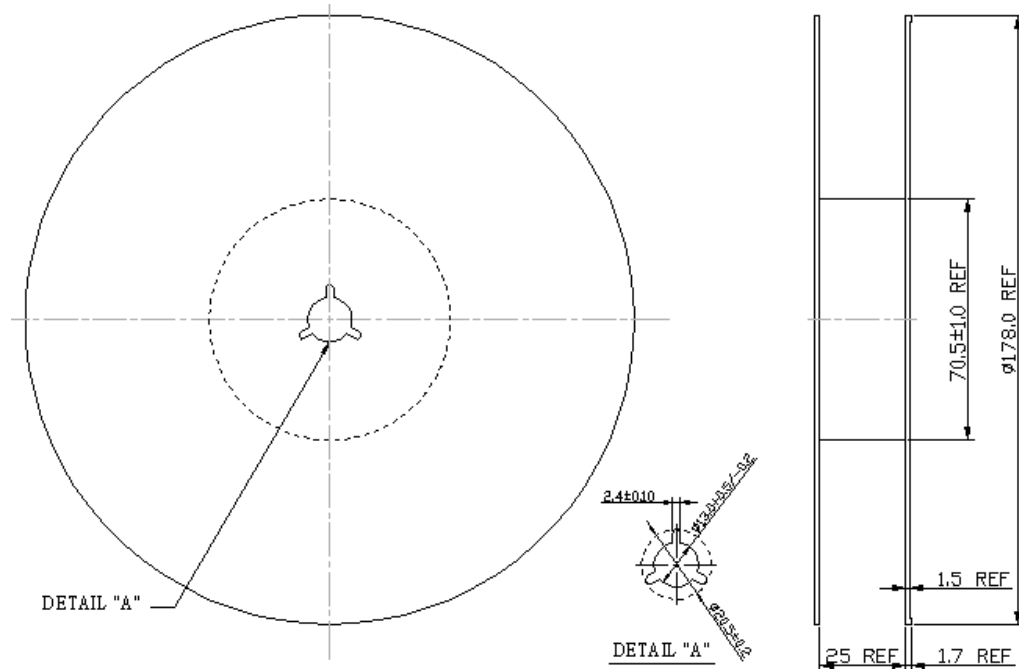


SAW Filter 72.96MHz
Part No: MP03208

Model: TB0466A
Rev No: 3

G. PACKING:

1. REEL DIMENSION



2. TAPE DIMENSION

