

SAW Filter 1056MHz
Part No: MP03206

Model: TA1014A
Rev No: 1

A. MAXIMUM RATING:

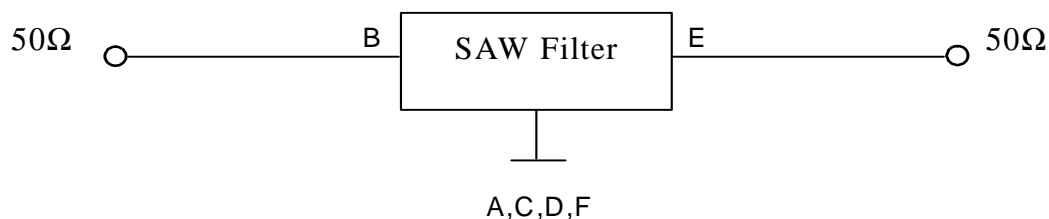
1. Input Power Level: 10dBm
2. DC Voltage: 0 V
3. Operating Temperature: -30°C to +85°C
4. Storage Temperature: -40°C to +85°C

B. ELECTRICAL CHARACTERISTICS:

Item	Unit	Min.	Typ.	Max.
Center frequency Fc	MHz	-	1056	-
Insertion Loss (1041 ~ 1071MHz) IL	dB	-	2.6	3.5
Amplitude Ripple (1041 ~ 1071MHz)	dB	-	0.8	1.5
VSWR (1041 ~ 1071MHz)	-	-	1.9	2.2
Attenuation: (Reference level from 0dB)				
Fc -50MHz	dB	40	42	-
Fc +50MHz	dB	25	34	-
Fc +90MHz	dB	40	46	-

C. MEASUREMENT CIRCUIT:

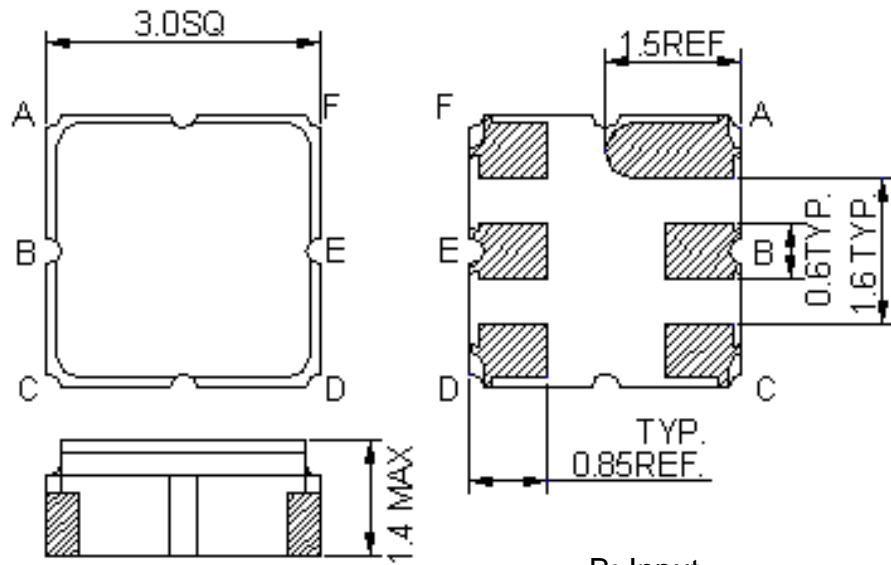
HP Network analyzer



SAW Filter 1056MHz
Part No: MP03206

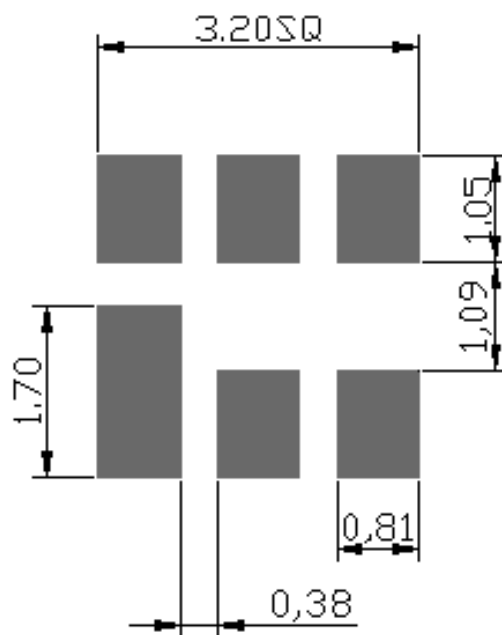
Model: TA1014A
Rev No: 1

D. OUTLINE DRAWING:



B: Input
E: Output
A, C, D, F: Ground
Unit: mm

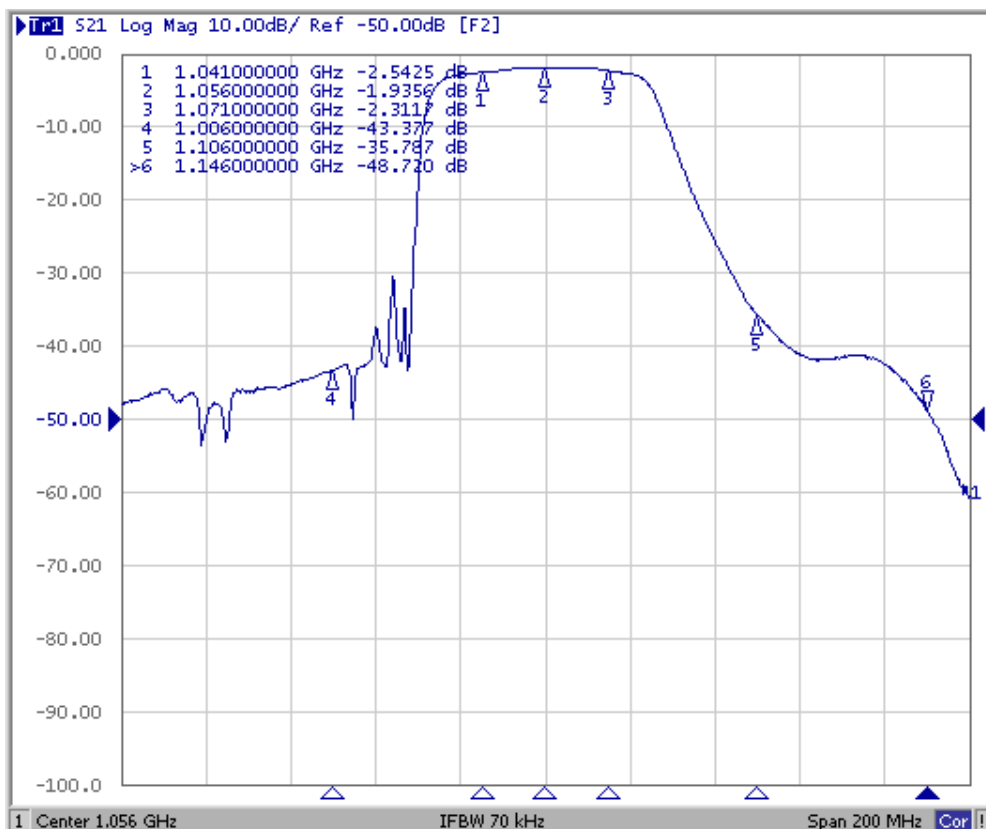
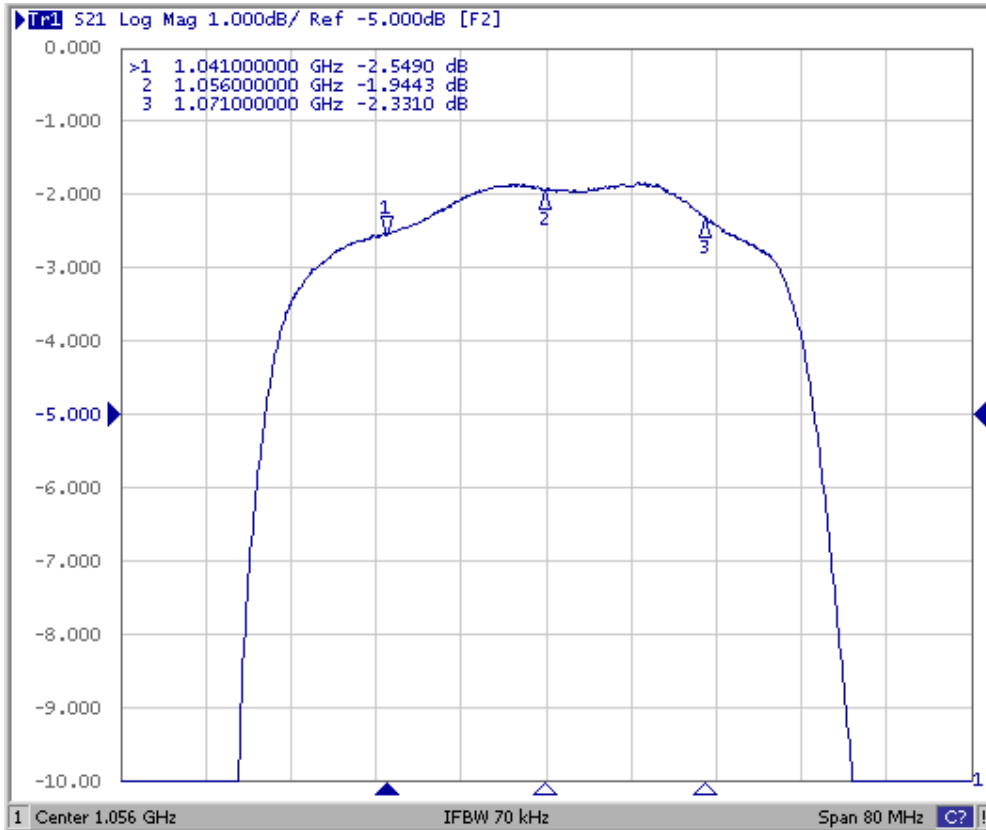
E. PCB FOOTPRINT:



SAW Filter 1056MHz
Part No: MP03206

Model: TA1014A
Rev No: 1

F. FREQUENCY CHARACTERISTICS:

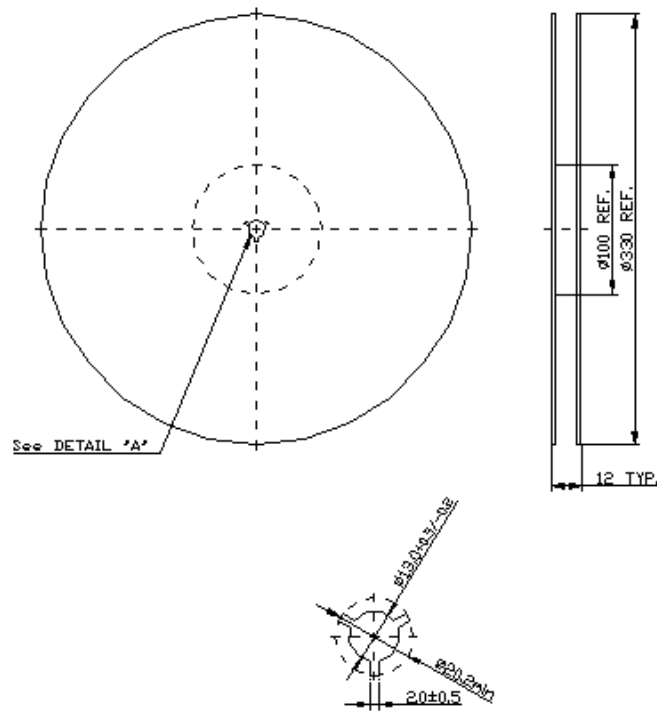


SAW Filter 1056MHz
Part No: MP03206

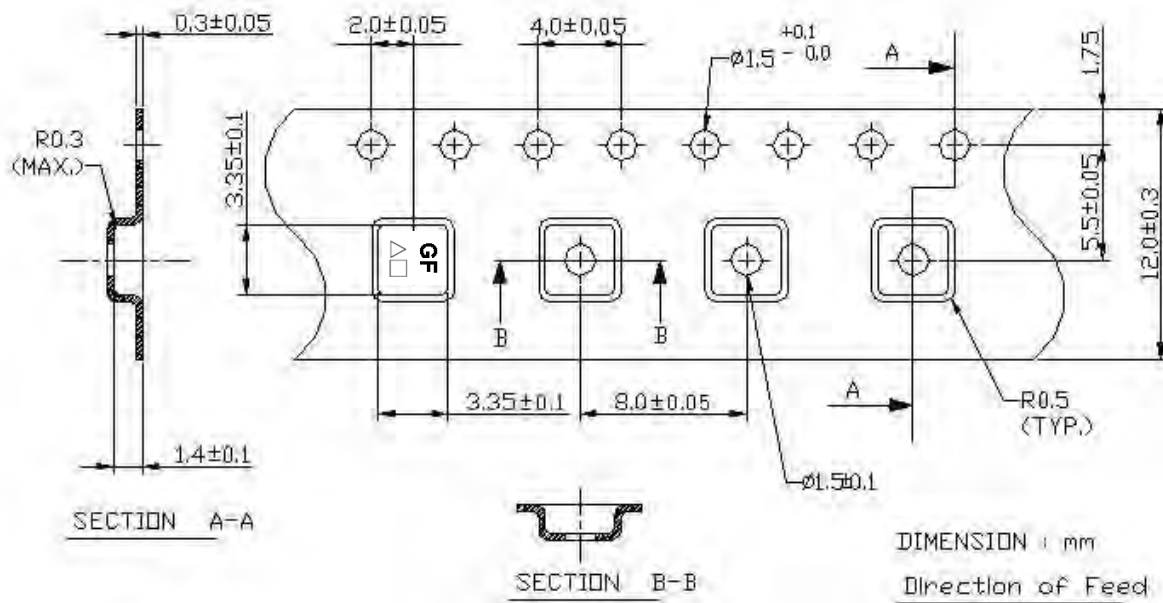
Model: TA1014A
Rev No: 1

G. PACKING:

1. REEL DIMENSION



2. TAPE DIMENSION



SAW Filter 1056MHz
Part No: MP03206

Model: TA1014A
Rev No: 1

H. RECOMMENDED REFLOW PROFILE:

