

SAW Filter 1178.12MHz
Part No: MP03146

Model: TA0844A
Rev No: 2

A. MAXIMUM RATING:

1. Input Power Level: 10dBm
2. DC Voltage: 3V
3. Operating Temperature: -40°C to +85°C
4. Storage Temperature: -50°C to +95°C

B. ELECTRICAL CHARACTERISTICS:

Terminating source impedance (differential): $Z_S = 150\Omega // 27nH$

Terminating load impedance (differential): $Z_L = 150\Omega // 27nH$

Item	Unit	Min.	Typ.	Max.	Note
Center Frequency Fc	MHz	-	1178.12	-	-
Bandwidth at -2dB	MHz	40	55	-	-
Insertion Loss in 1158.12MHz ~ 1198.12MHz	dB	-	2.5	5	-
Amplitude ripple (1158.12MHz ~ 1198.12MHz)	dB	-	0.9	2	-
Phase error (1158.12MHz ~ 1198.12MHz) (3)	deg	-	3	5.5	-
I/O VSWR (1158.12MHz ~ 1198.12MHz)		-	1.7	2.5	-
Attenuation (1)					
50 ~ 1096.06MHz	dB	42	55	-	-
1260.18 ~ 2000MHz	dB	42	50	-	-
2000 ~ 3500MHz	dB	35	44	-	-
3500 ~ 6000MHz	dB	22	26	-	-

Notes:

The amplitude reference is insertion loss at Fc.

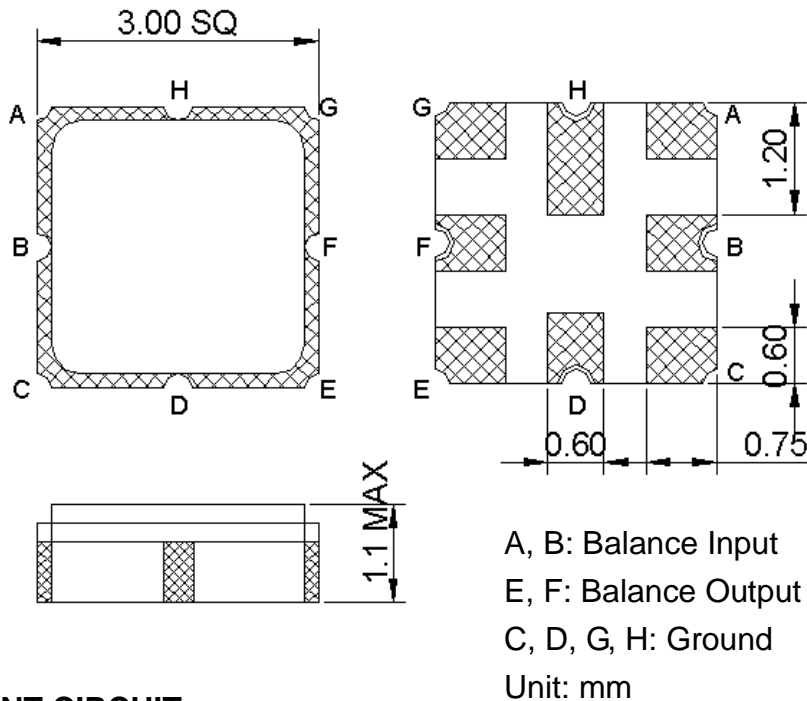
The amplitude ripple is defined as the max level - min level over any 30MHz block of the given bandwidth.

The phase error is measured over any 30MHz block of the given bandwidth.

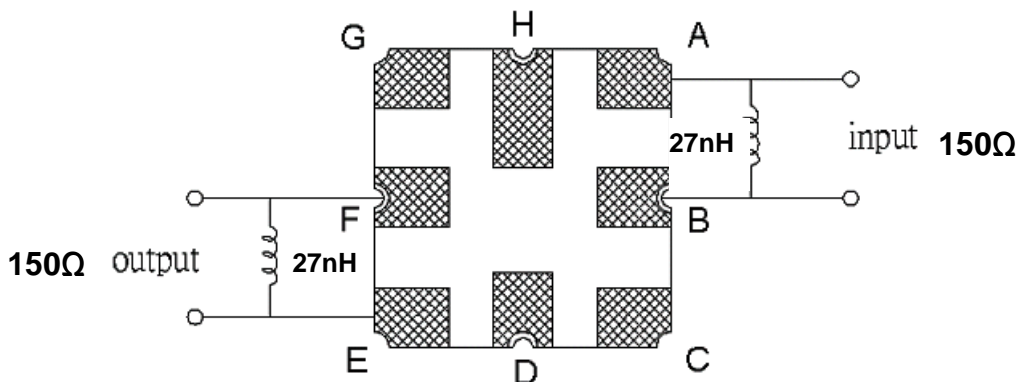
SAW Filter 1178.12MHz
Part No: MP03146

Model: TA0844A
Rev No: 2

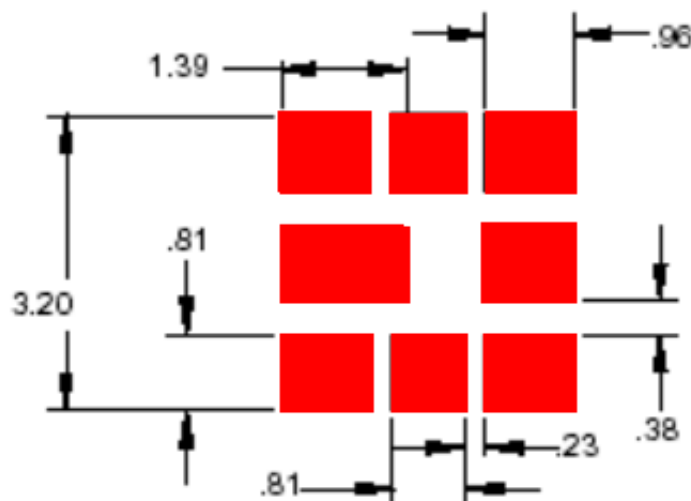
C. OUTLINE DRAWING:



D. MEASUREMENT CIRCUIT:



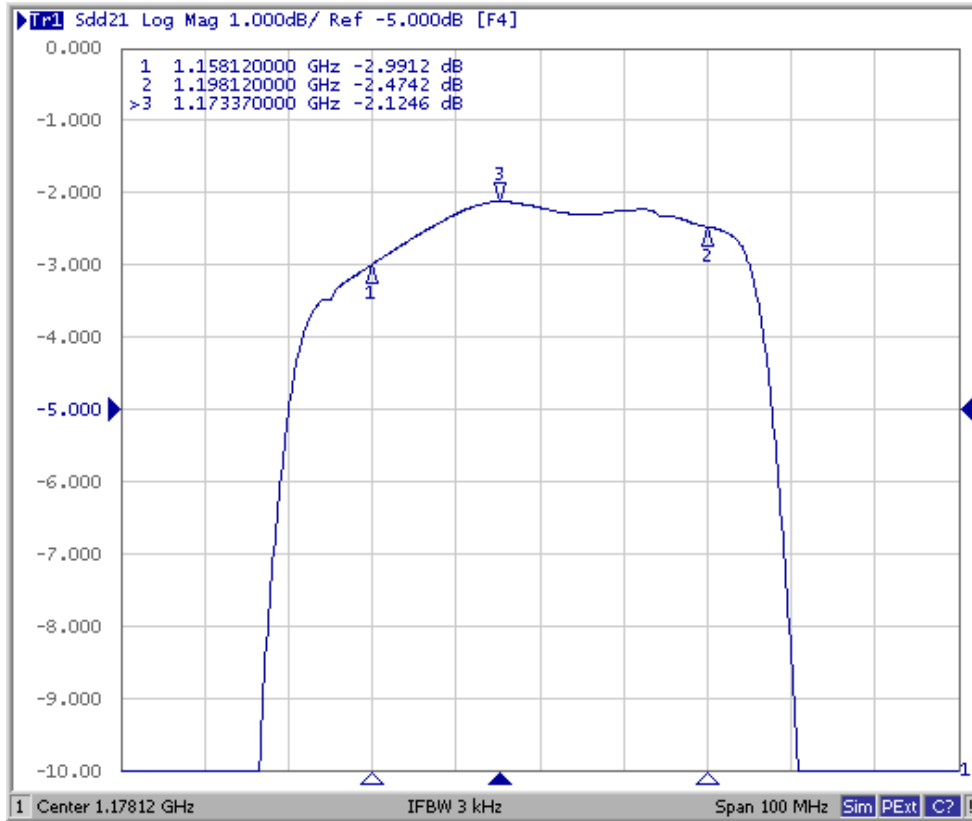
E. PCB FOOTPRINT:



SAW Filter 1178.12MHz
Part No: MP03146

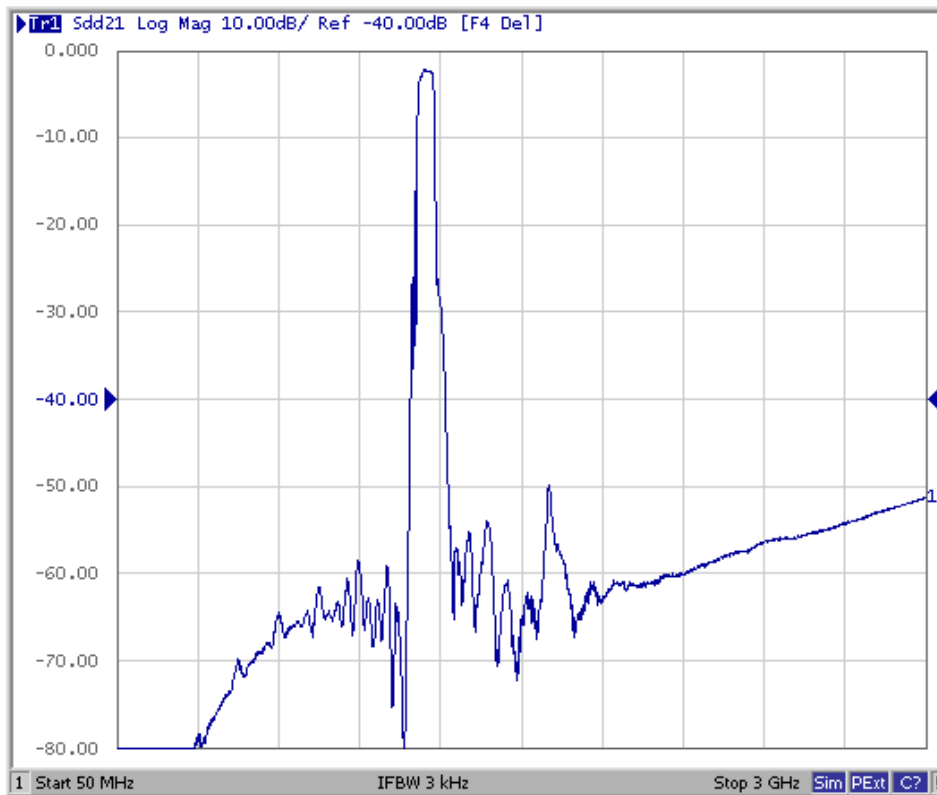
Model: TA0844A
Rev No: 2

F. FREQUENCY CHARACTERISTICS:



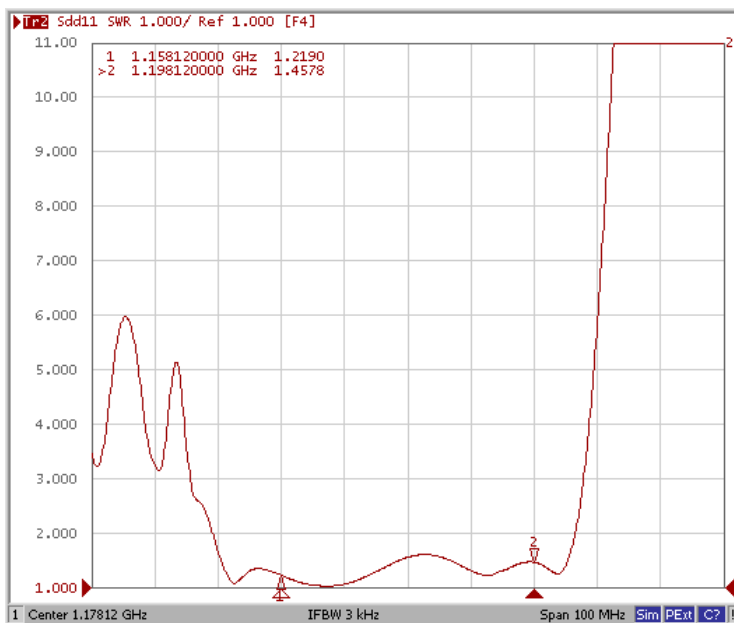
SAW Filter 1178.12MHz
Part No: MP03146

Model: TA0844A
Rev No: 2

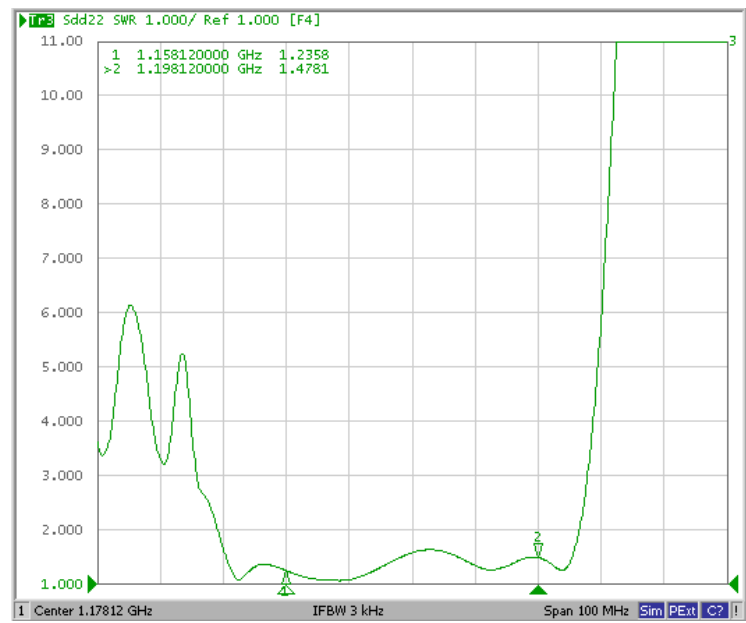


Reflection Functions

S11



S22



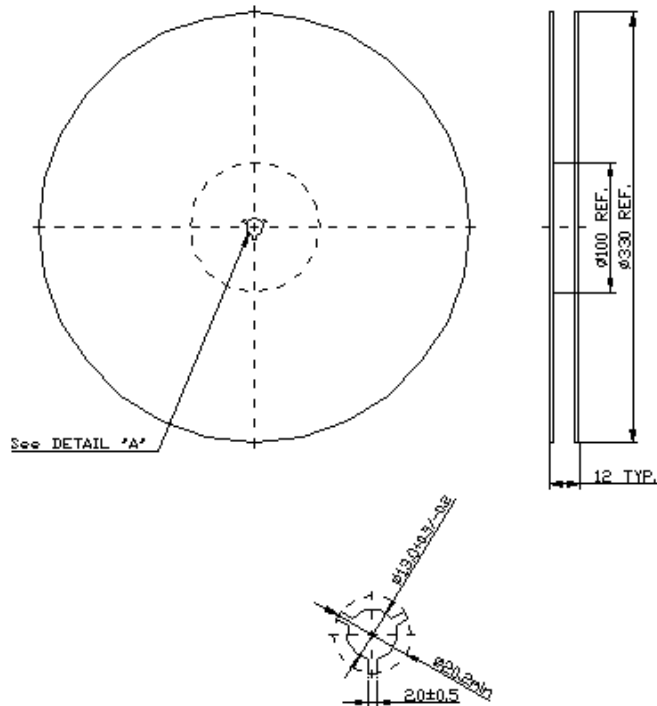
SAW Filter 1178.12MHz
Part No: MP03146

Model: TA0844A
Rev No: 2

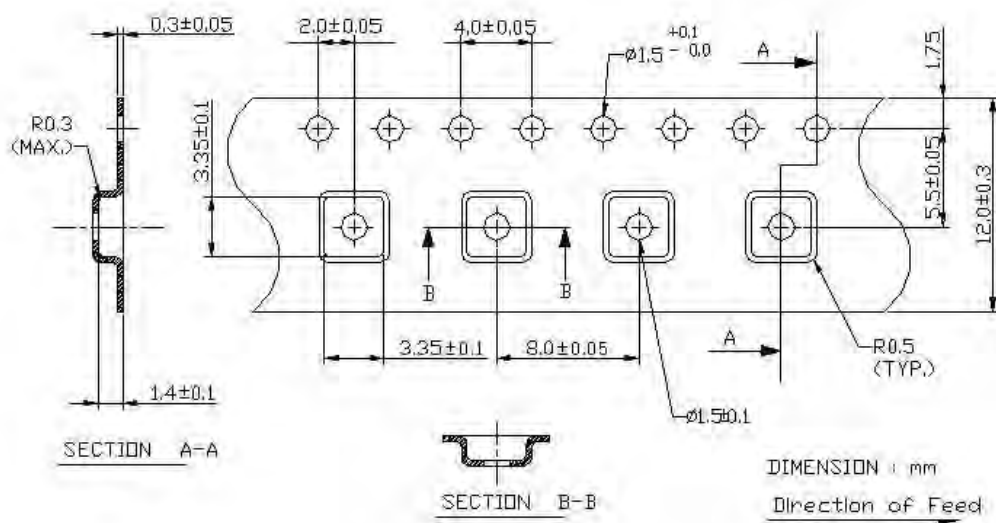
G. PACKING:

1. REEL DIMENSION

(Reel Count: 7" = 1000; 13" = 3000)



2. TAPE DIMENSION



SAW Filter 1178.12MHz
Part No: MP03146

Model: TA0844A
Rev No: 2

H. RECOMMENDED REFLOW PROFILE:

