

SAW Filter 707MHz
Part No: MP03070

Model: TA1015A
Rev No: 1

A. MAXIMUM RATING:

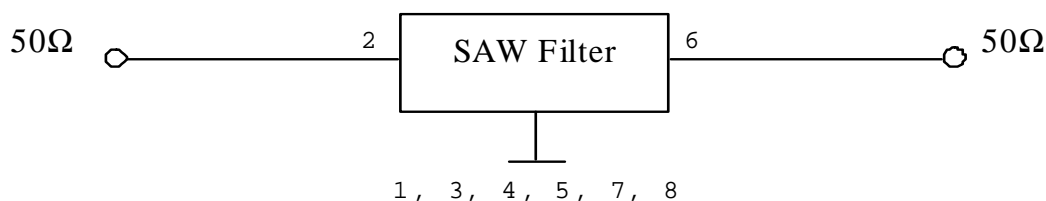
1. Input Power Level: 10dBm
2. DC Voltage: 3V
3. Operating Temperature: -30°C to +85°C
4. Storage Temperature: -40°C to +85°C

B. ELECTRICAL CHARACTERISTICS:

Item	Unit	Min.	Typ.	Max.	Note
Center Frequency Fc	MHz	-	707	-	-
Insertion loss (697 ~ 717MHz) IL	dB	-	2.3	4	-
Bandwidth	MHz	20	28.5	-	-
Amplitude Ripple (697 ~ 717MHz)	dB	-	0.8	1.4	-
Attenuation (Reference level from 0dB)					
300 ~ 600MHz	dB	28	56	-	-
728 ~ 757MHz	dB	10	17	-	-
800 ~ 1050MHz	dB	28	52	-	-
Temperature Coefficient of Frequency	ppm/°C	-	-36	-	-

C. MEASUREMENT CIRCUIT:

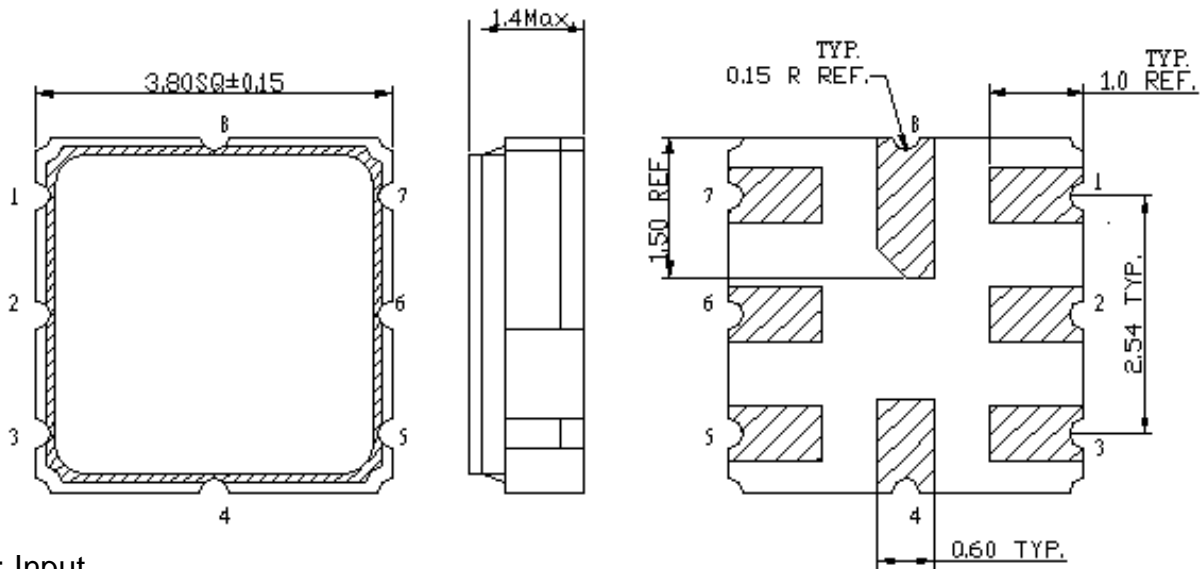
HP Network analyzer



SAW Filter 707MHz
Part No: MP03070

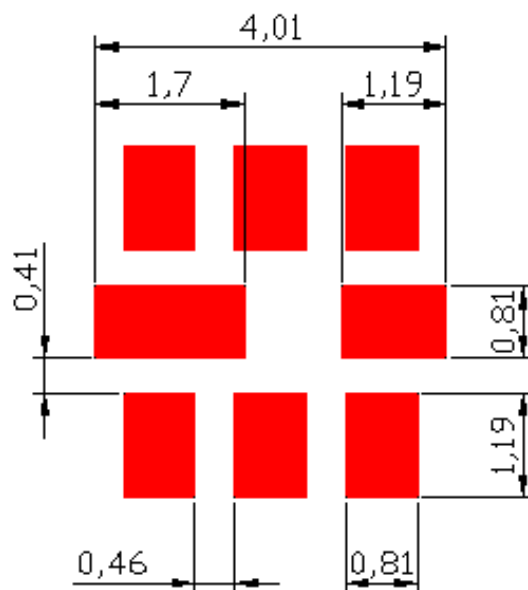
Model: TA1015A
Rev No: 1

D. OUTLINE DRAWING:



2: Input
 6: Output
 1, 3, 4, 5, 7, 8: Ground
 Unit: mm

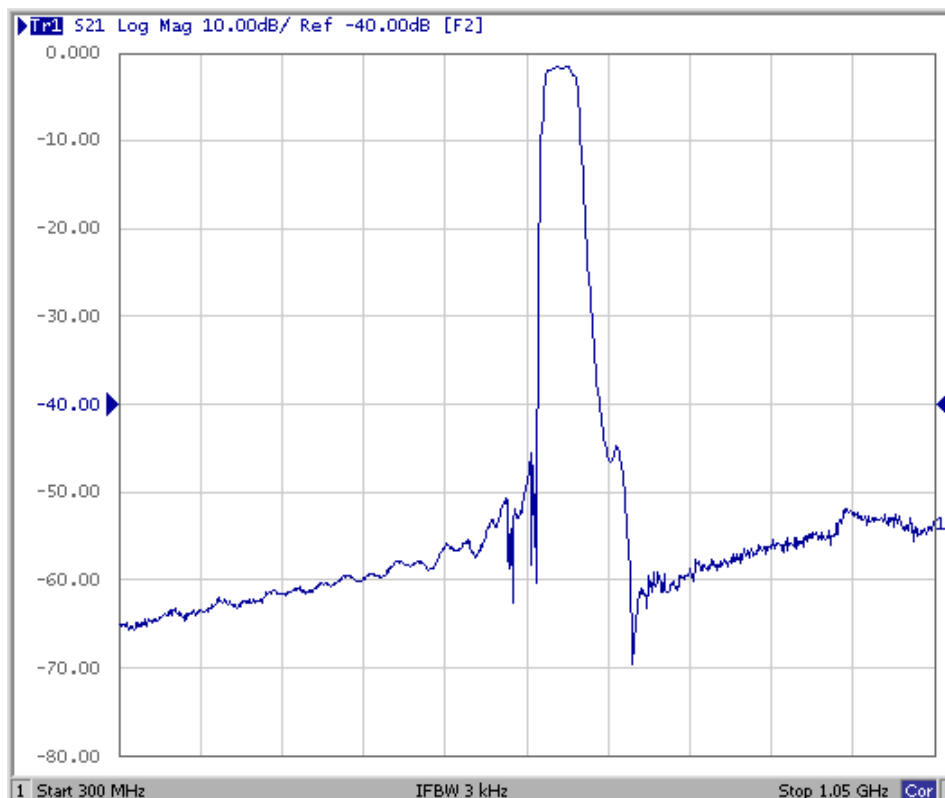
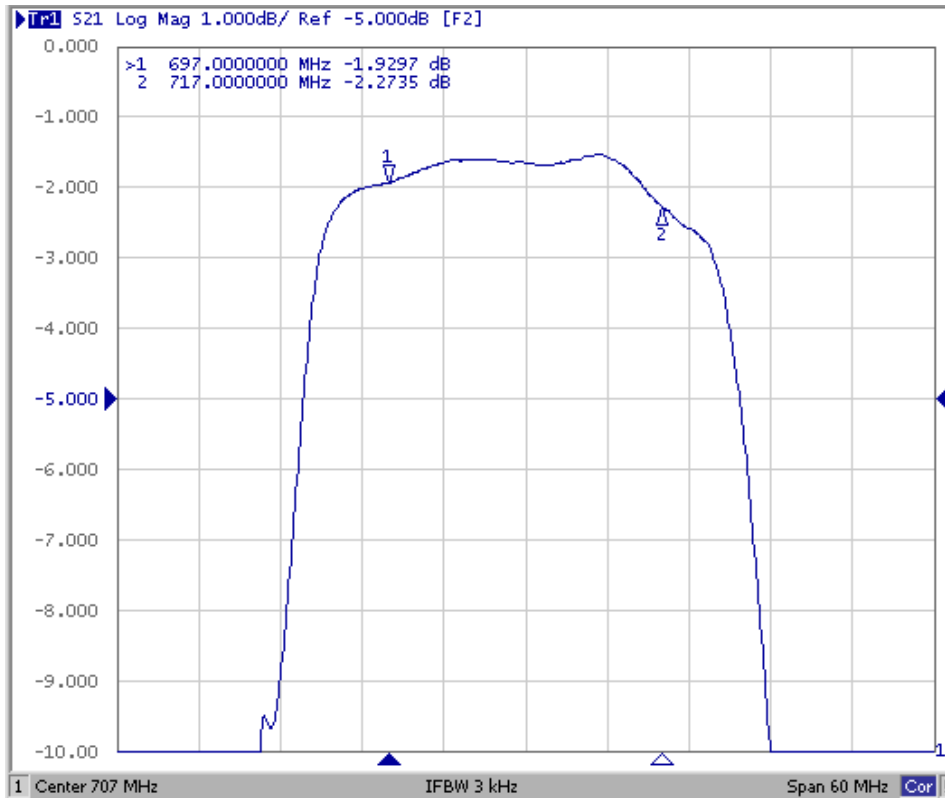
E. PCB FOOTPRINT:



SAW Filter 707MHz
Part No: MP03070

Model: TA1015A
Rev No: 1

F. FREQUENCY CHARACTERISTICS:



SAW Filter 707MHz
Part No: MP03070

Model: TA1015A
Rev No: 1

H. RECOMMENDED REFLOW PROFILE:

