

SAW Filter 918MHz
Part No: MP03018

Model: TA1067A
Rev No: 2

A. MAXIMUM RATING:

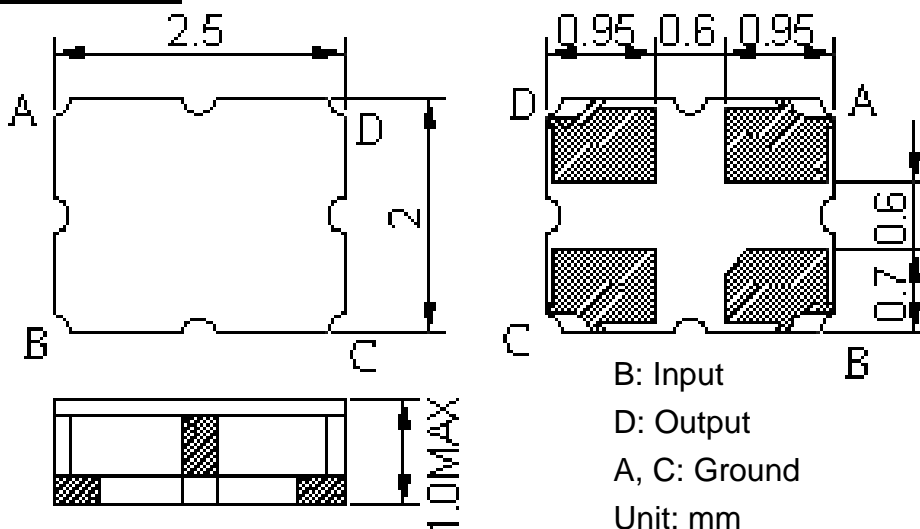
1. Input Power Level: 15dBm
2. DC voltage: 5V
3. Operating Temperature: -20°C to +70°C
4. Storage Temperature: -40°C to +85°C

B. ELECTRICAL CHARACTERISTICS:

Item	Min.	Typ.	Max.
Center frequency Fc (MHz)	-	918	-
Min. Insertion loss IL (dB)	-	1.8	2.2
Amplitude ripple (915 ~ 921MHz) (dB)	-	0.2	1
Attenuation (Reference level from 0dB)			
DC ~ 868MHz (dB)	30	49	-
968 ~ 1600MHz (dB)	30	44	-
1600 ~ 2000MHz (dB)	25	48	-
2000 ~ 3000MHz (dB)	15	30	-
Return Loss (915 ~ 921MHz) (dB)	10	14	-
Source impedance Z _S (Ω)	-	50	-
Load impedance Z _L (Ω)	-	50	-

Note: No matching network required for operation at 50Ω

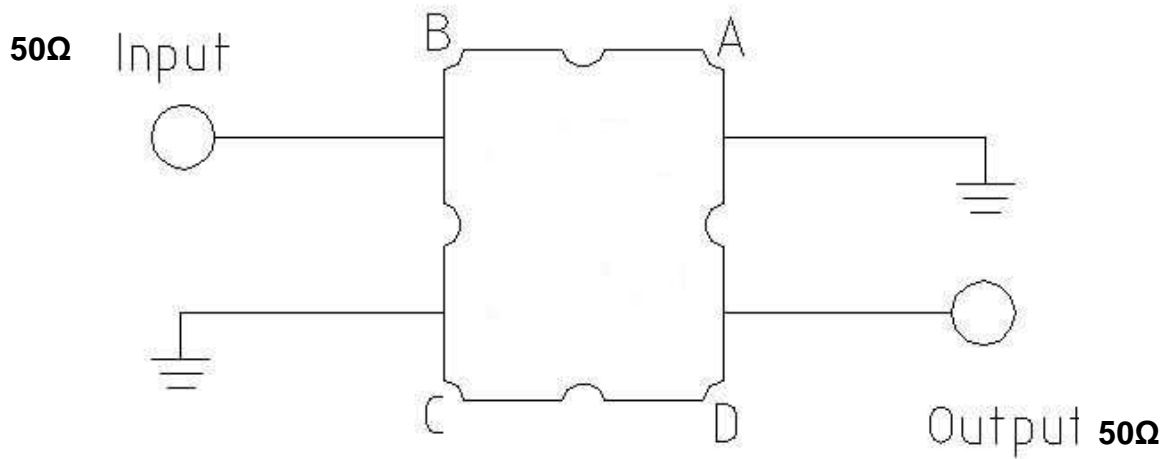
C. OUTLINE DRAWING:



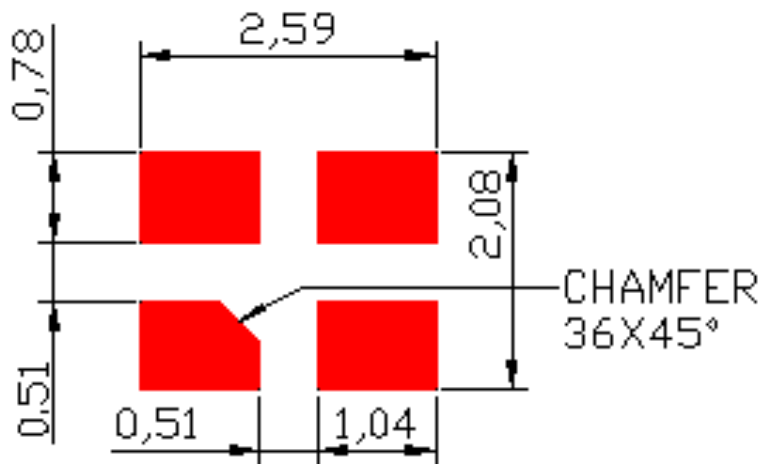
SAW Filter 918MHz
Part No: MP03018

Model: TA1067A
Rev No: 2

D. MEASUREMENT CIRCUIT:



E. PCB FOOTPRINT:

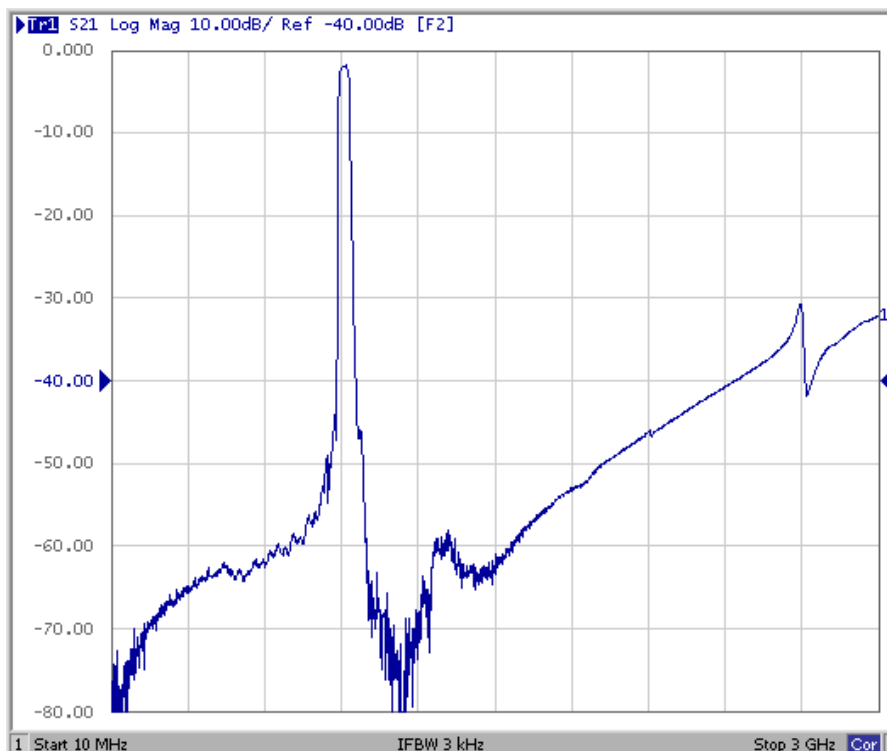
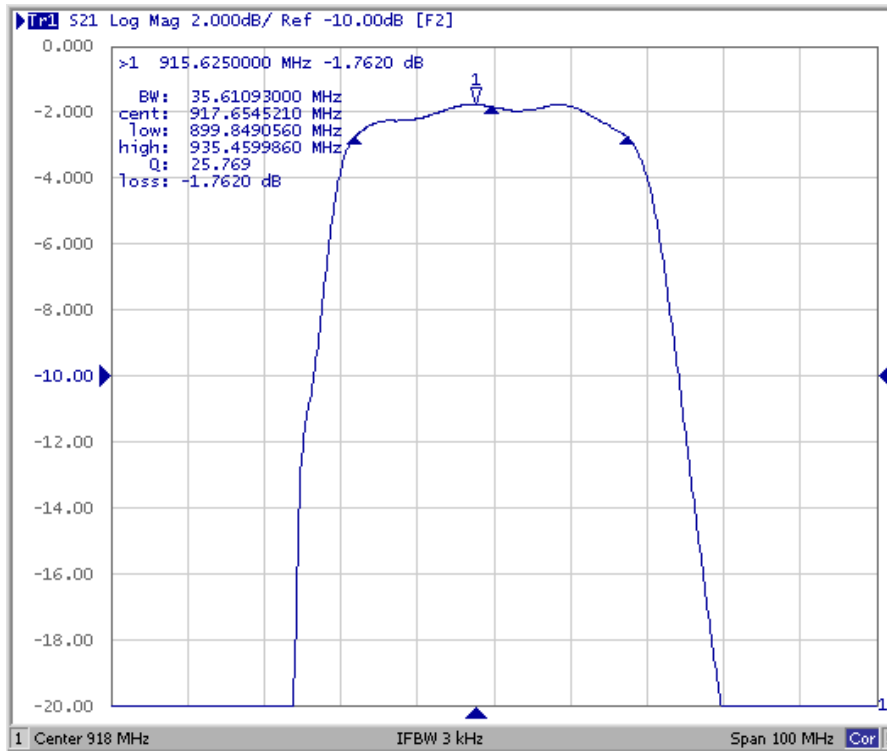


SAW Filter 918MHz
Part No: MP03018

Model: TA1067A
Rev No: 2

F. FREQUENCY CHARACTERISTICS:

Transfer function

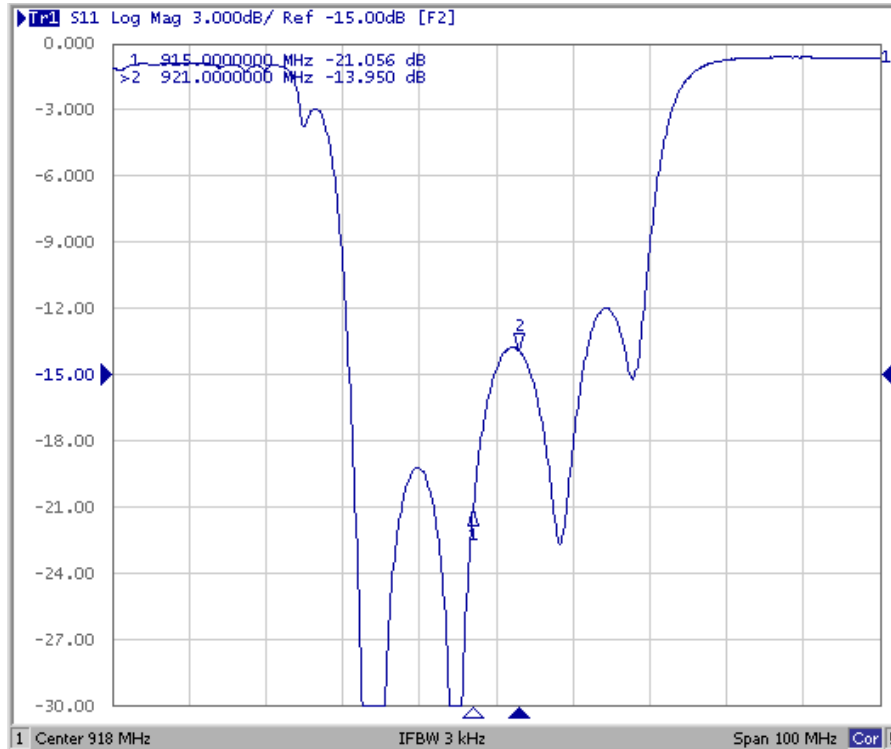


SAW Filter 918MHz
Part No: MP03018

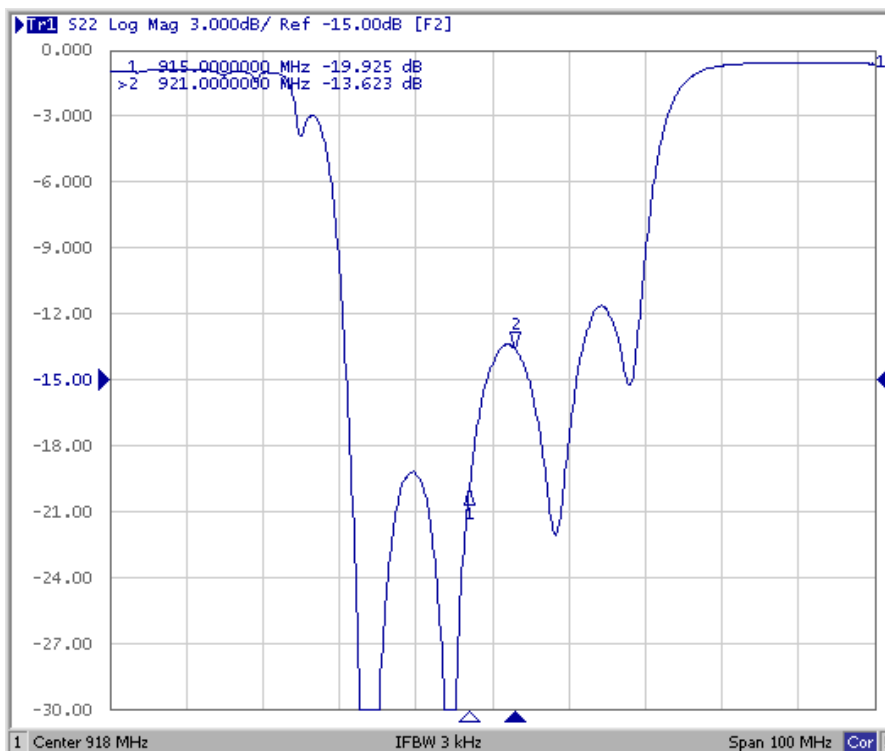
Model: TA1067A
Rev No: 2

Reflections Functions

S11 Return Loss



S22 Return Loss

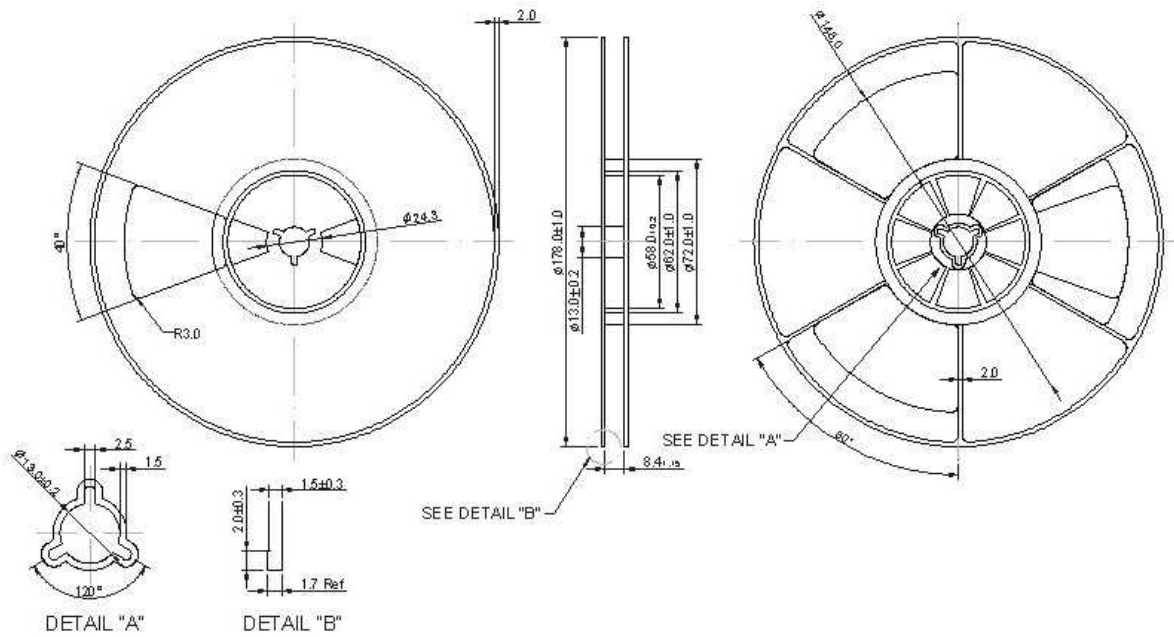


SAW Filter 918MHz
Part No: MP03018

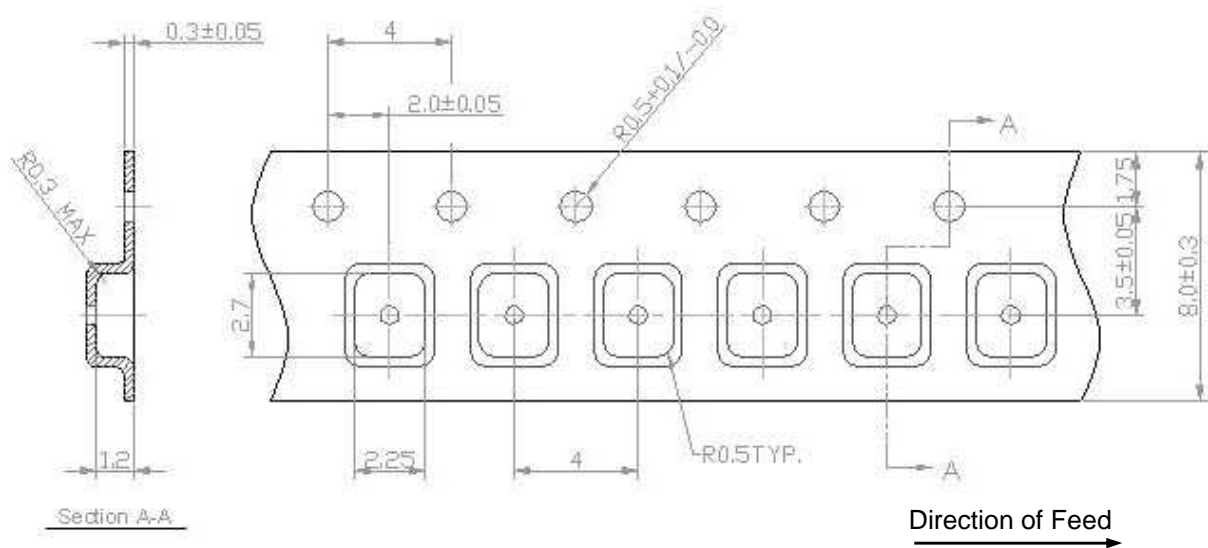
Model: TA1067A
Rev No: 2

G. PACKING:

1. REEL DIMENSION



2. TAPE DIMENSION



SAW Filter 918MHz
Part No: MP03018

Model: TA1067A
Rev No: 2

H. RECOMMENDED REFLOW PROFILE:

