

**SAW Filter 800MHz**  
**Part No: MP02939**

**Model: TA0736A**  
**Rev No: 1**

**A. MAXIMUM RATING:**

1. Input Power Level: 5dBm
2. DC voltage: 5V
3. Operating Temperature: -20°C to 70°C
4. Storage Temperature: -40°C to +85°C

**B. CHARACTERISTICS:**

Item	Min.	Typ.	Max.
Center frequency Fc MHz	-	800	-
Insertion loss 790 ~ 810MHz IL (dB)	-	2.6	4.0
Amplitude ripple 790 ~ 810MHz (dB)	-	0.8	2.0
Attenuation (Reference level from 0dB)			
600 ~ 700MHz (dB)	40	47	-
700 ~ 750MHz (dB)	30	43	-
860 ~ 900MHz (dB)	30	43	-
900 ~ 1000MHz (dB)	38	46	-
Source impedance Z <sub>s</sub> (Ω)	-	50	-
Load impedance Z <sub>L</sub> (Ω)	-	50	-

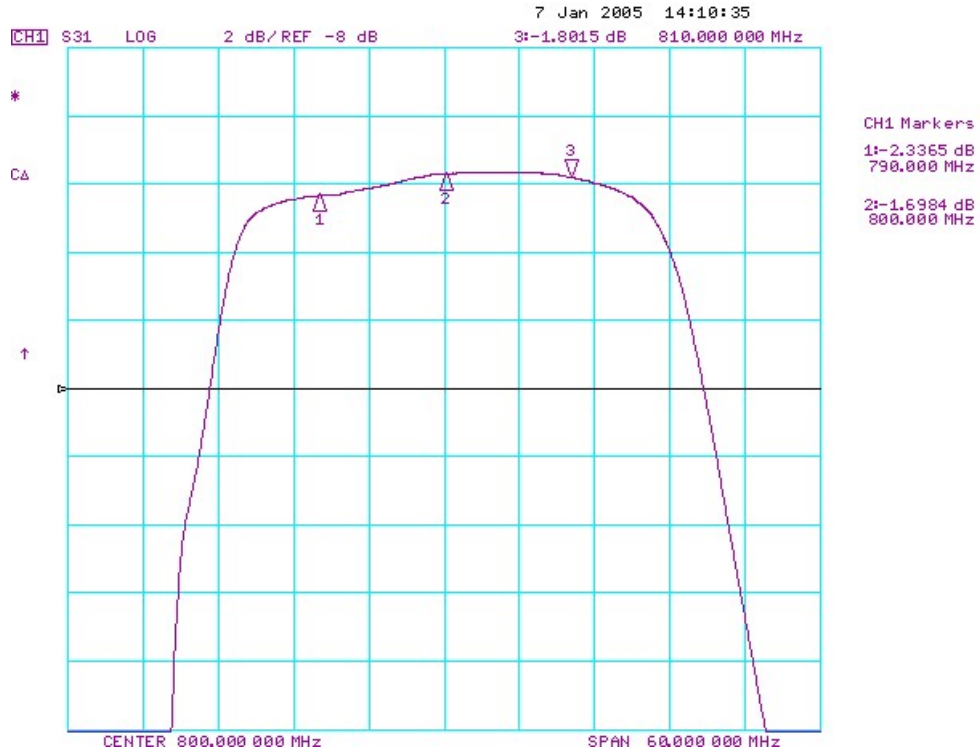
Note: No matching network required for operation at 50Ω

**SAW Filter 800MHz**  
**Part No: MP02939**

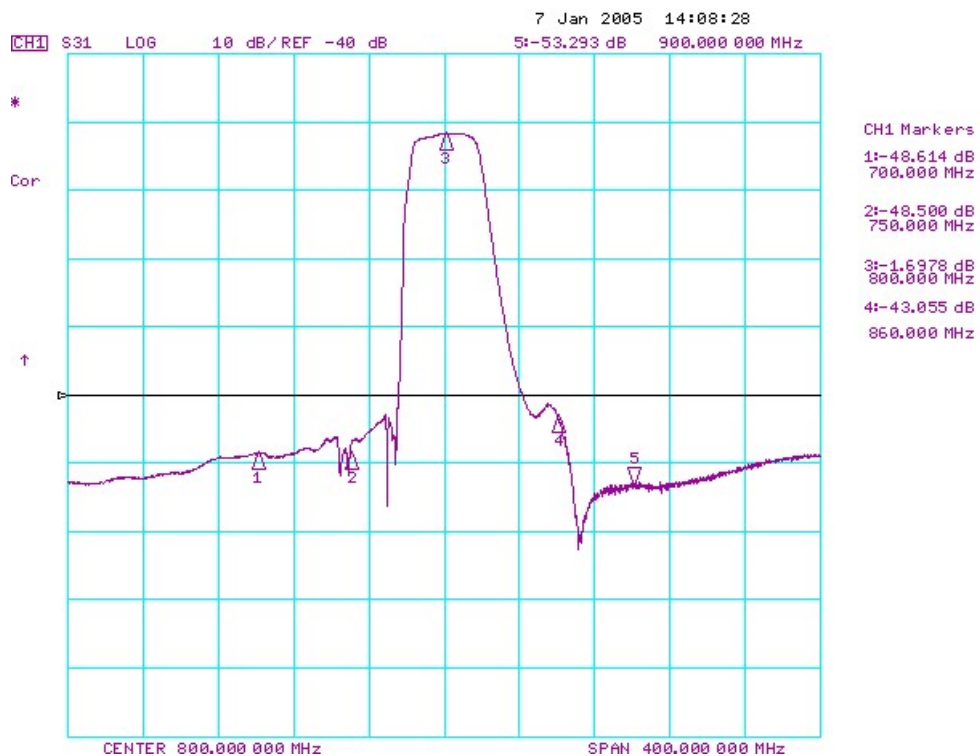
**Model: TA0736A**  
**Rev No: 1**

**C. FREQUENCY CHARACTERISTICS:**

1. Transfer Function



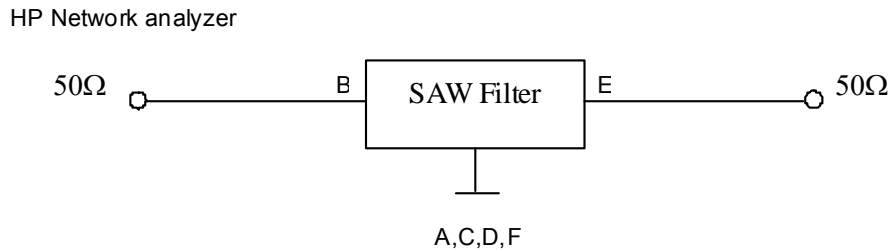
2. Wideband



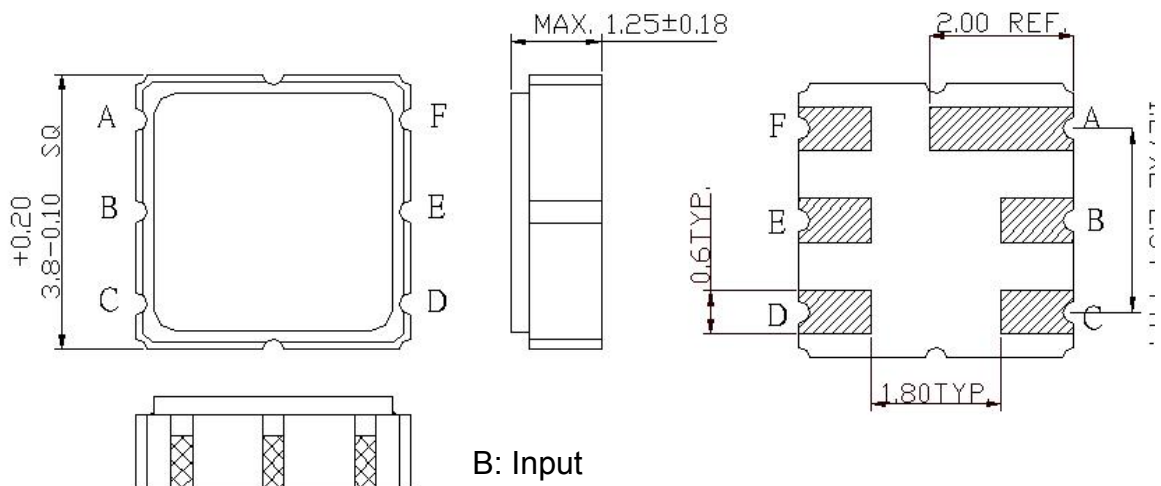
**SAW Filter 800MHz**  
**Part No: MP02939**

**Model: TA0736A**  
**Rev No: 1**

**D. MEASUREMENT CIRCUIT:**

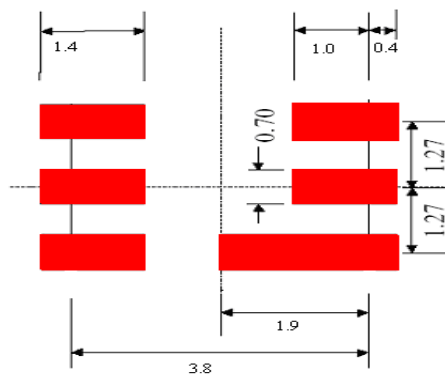


**E. OUTLINE DRAWING:**



B: Input  
 E: Output  
 A, C, D, F: Ground  
 Unit: mm

**F. PCB FOOTPRINT:**





**SAW Filter 800MHz**  
**Part No: MP02939**

**Model: TA0736A**  
**Rev No: 1**

**H. RECOMMENDED REFLOW PROFILE:**

