

SAW Filter 740MHz

Model: TA0882A

Part No: MP02683

REV. NO.: 1

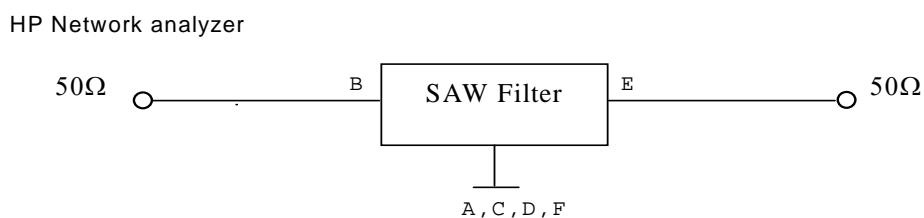
A. MAXIMUM RATING:

1. Input Power Level: 12 dBm
2. DC Voltage : 3V
3. Operating Temperature: -20°C to +75°C
4. Storage Temperature: -40°C to +85°C

B. ELECTRICAL CHARACTERISTICS:

Item	Unit	Min.	Typ.	Max.	Note
Center Frequency Fc	MHz	-	740	-	-
Insertion loss (734~746MHz) IL	dB	-	1.6	4.5	-
Amplitude Ripple (734 ~ 746 MHz)	dB	-	0.7	2	-
Group Delay Variation (734~746 MHz)	ns	-	20	45	-
Attenuation (Reference level from 0 dB)					
0 ~ 643 MHz	dB	37	43.5	-	-
643 ~ 693 MHz	dB	37	45	-	-
693 ~ 716 MHz	dB	20	53	-	-
766 ~ 793 MHz	dB	35	51	-	-
793 ~ 843 MHz	dB	40	47	-	-
843 ~ 1000 MHz	dB	38	47	-	-
1000 ~ 1500 MHz	dB	25	47	-	-
Temperature Coefficient of Frequency	Ppm/°C	-	-35	-	-

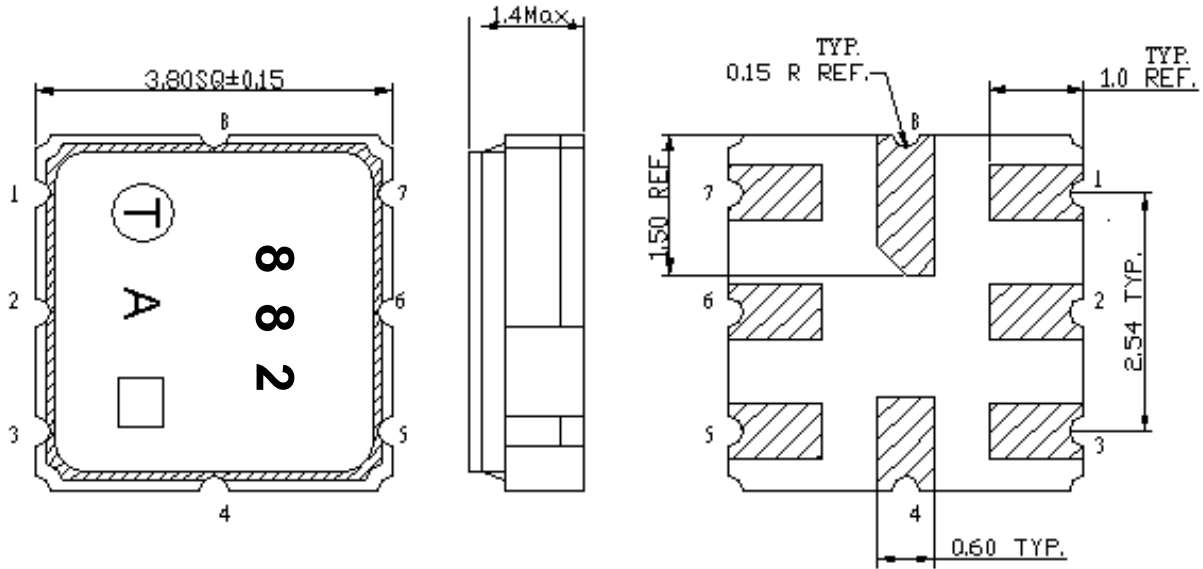
C. MEASUREMENT CIRCUIT:



SAW Filter 740MHz
Part No: MP02683

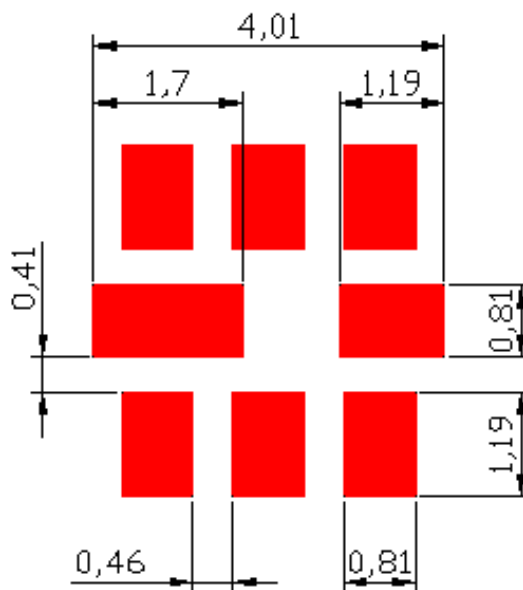
Model: TA0882A
REV. NO.: 1

D. OUTLINE DRAWING:



2 : Input
 6: Output
 1,3,4,5,7,8: Ground
 Unit: mm

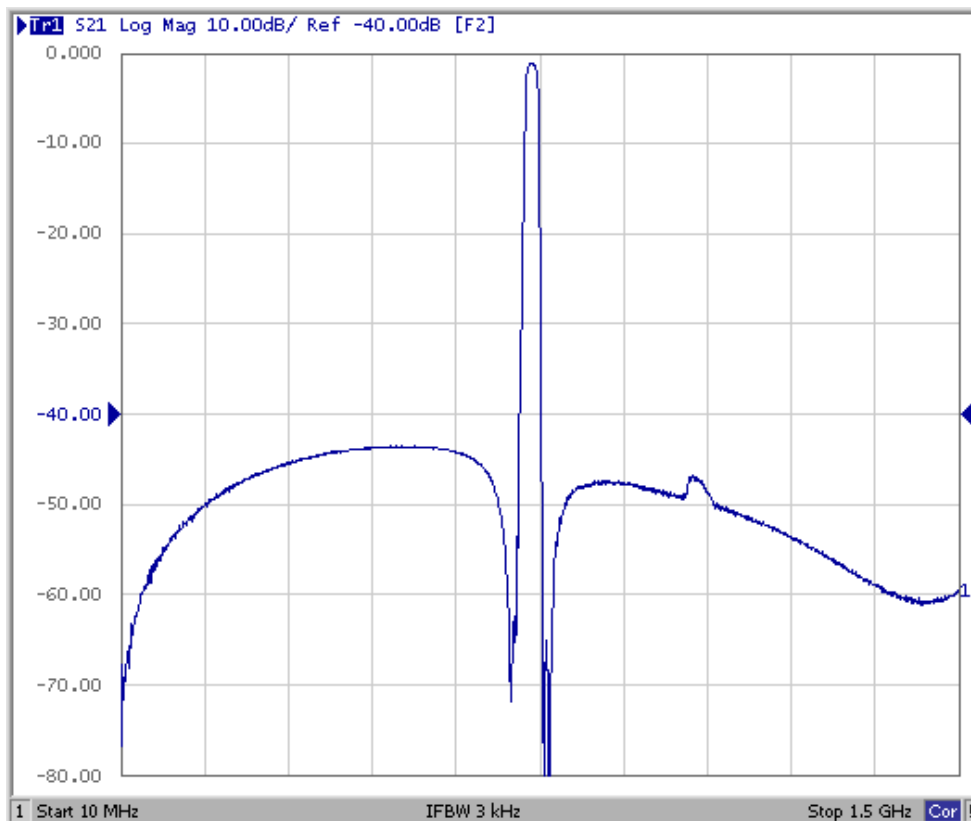
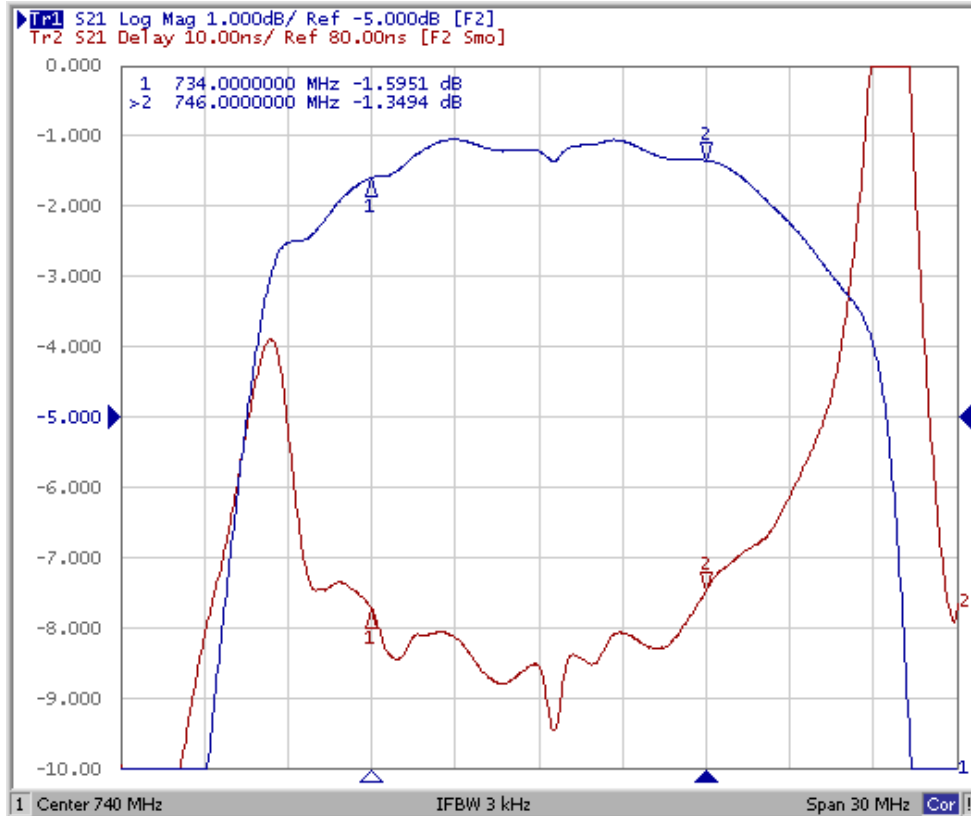
E. PCB FOOTPRINT:



SAW Filter 740MHz
Part No: MP02683

Model: TA0882A
REV. NO.: 1

F. FREQUENCY CHARACTERISTICS:

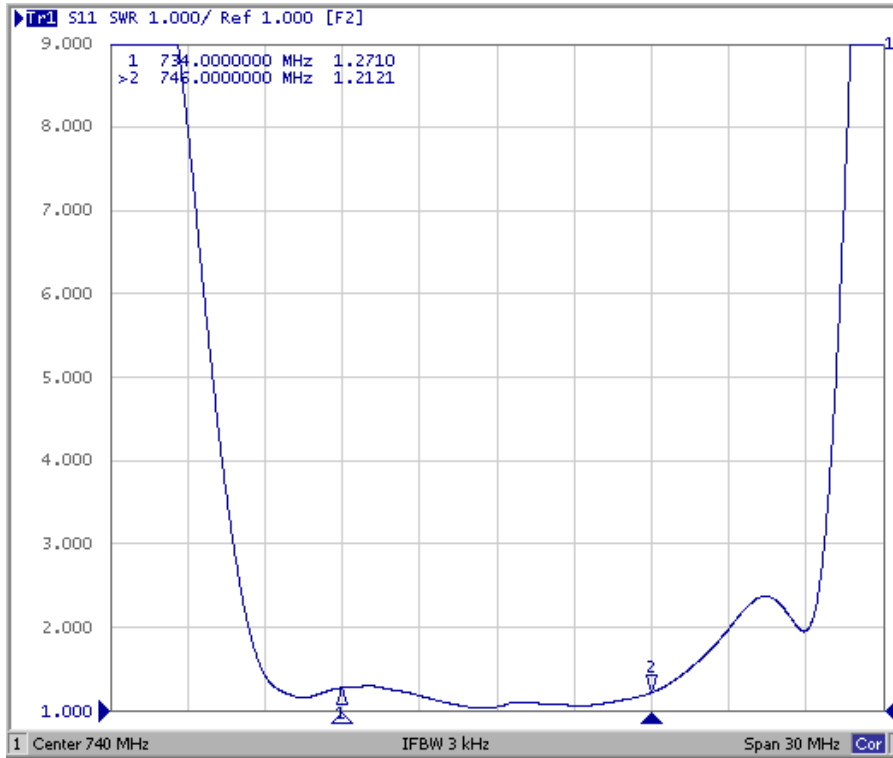


SAW Filter 740MHz
Part No: MP02683

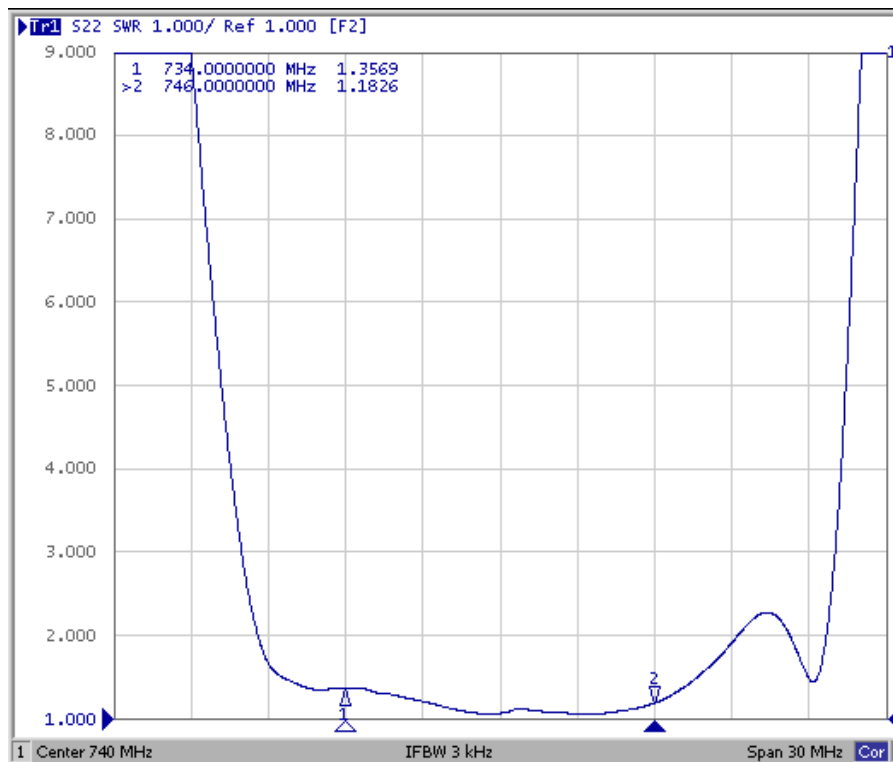
Model: TA0882A
REV. NO.: 1

Reflection Functions:

S11



S22



SAW Filter 740MHz

Model: TA0882A

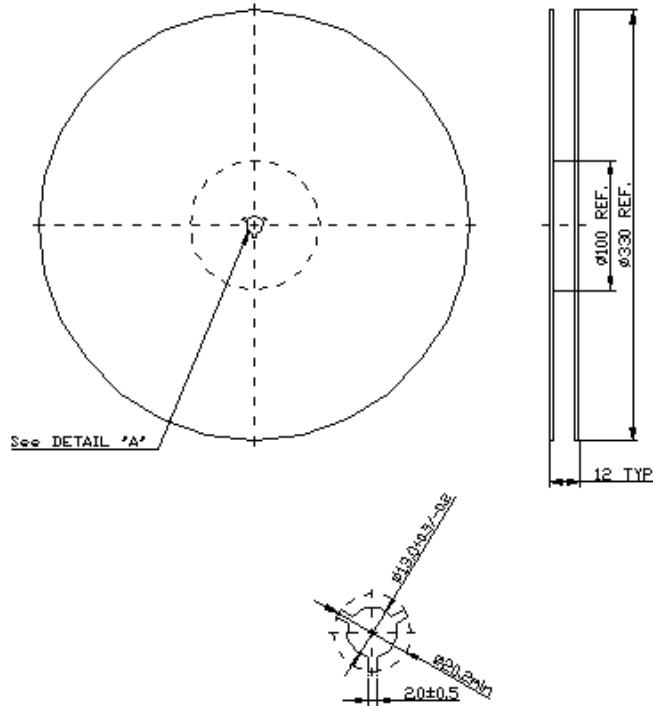
Part No: MP02683

REV. NO.: 1

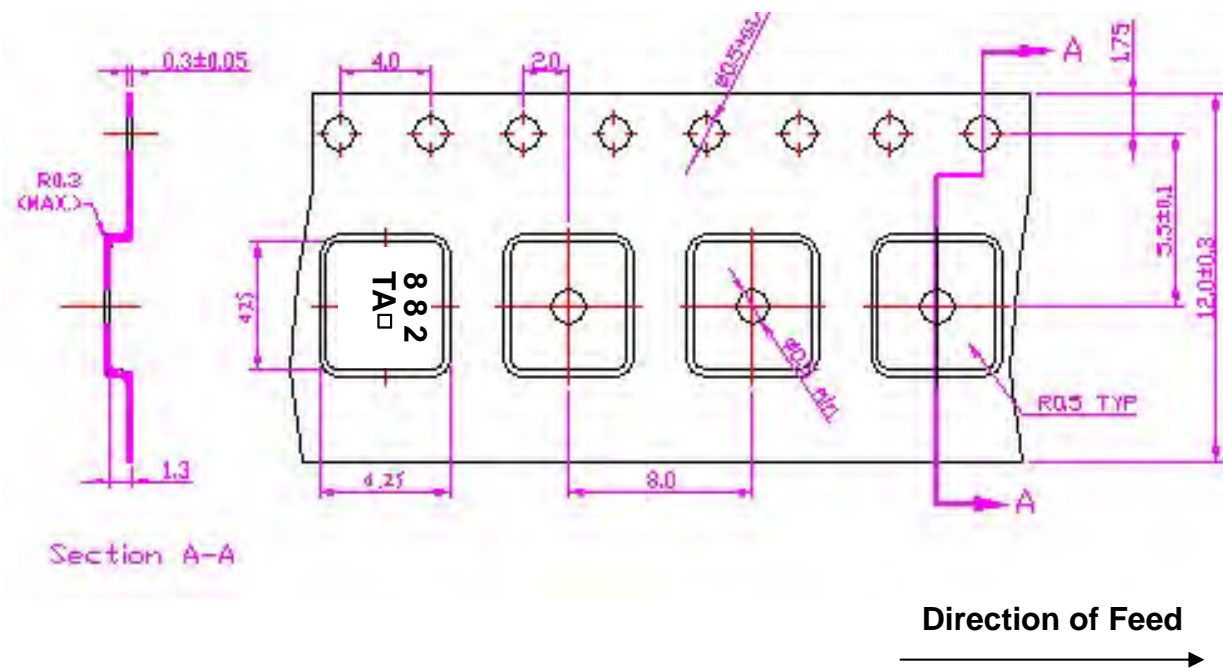
G. PACKING:

1. REEL DIMENSION

(Reel Count : 7"=1000 ; 13"=3000)



2.TAPE DIMENSION



SAW Filter 740MHz

Model: TA0882A

Part No: MP02683

REV. NO.: 1

H. RECOMMENDED REFLOW PROFILE :

