

SAW Filter 340MHz

Model: TA1002A

Part No: MP02682

REV. NO.: 1

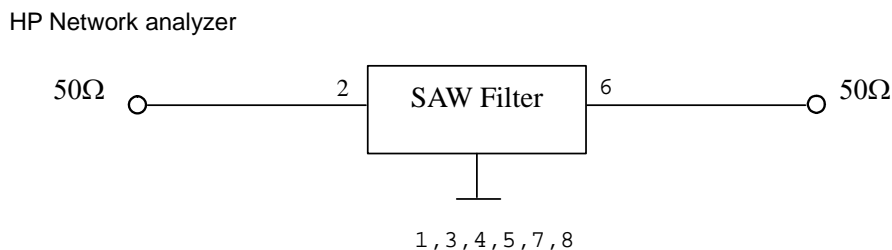
A. MAXIMUM RATING:

1. Input Power Level: 10 dBm
2. DC voltage: 3 V
3. Operating Temperature: -10°C to +65°C
4. Storage Temperature: -40°C to +85°C

B. ELECTRICAL CHARACTERISTICS:

Item	Unit	Min.	Typ.	Max.
Center frequency Fc	MHz	-	340	-
Insertion Loss 337~343MHz IL	dB	-	1.7	3.5
Ripple 337~343MHz	MHz	-	0.3	1.5
Return Loss 337~343MHz	dB	-	-14	-9
Absolute Attenuation:(Reference level from 0dB)				
300 to 320 MHz	dB	40	48	-
320 to 331 MHz	dB	6	11	-
350 to 370 MHz	dB	6	12	-
370 to 400 MHz	dB	40	51	-
Temperature coefficient of frequency	ppm/k	-	-37	-
Source impedance Zs	Ω	-	50	-
Load impedance ZL	Ω	-	50	-

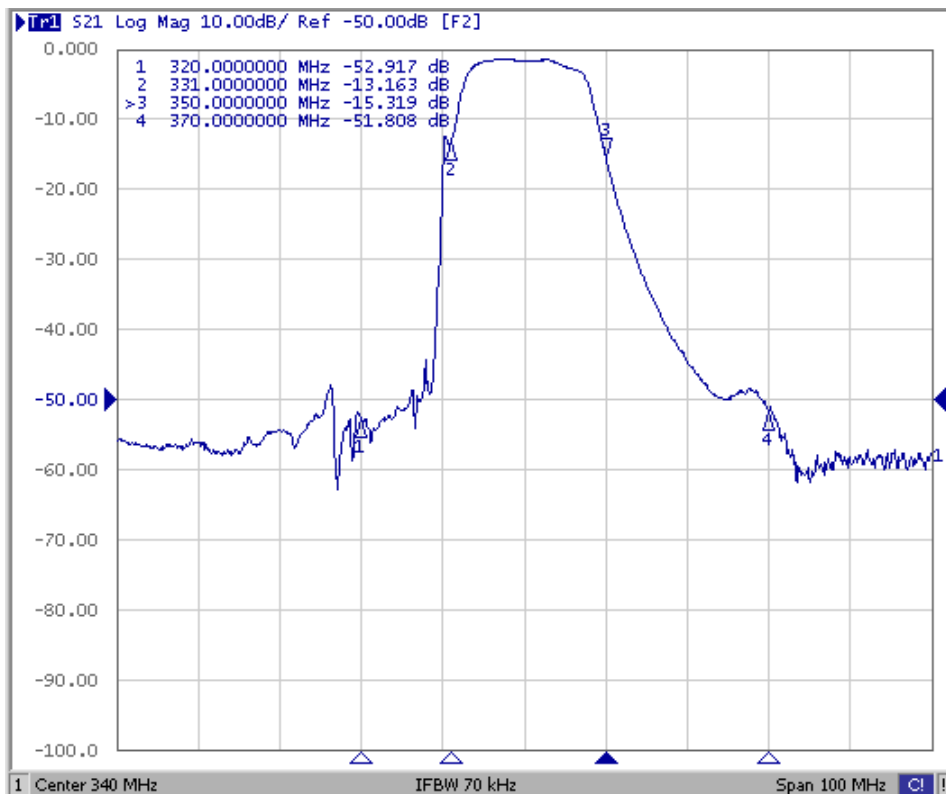
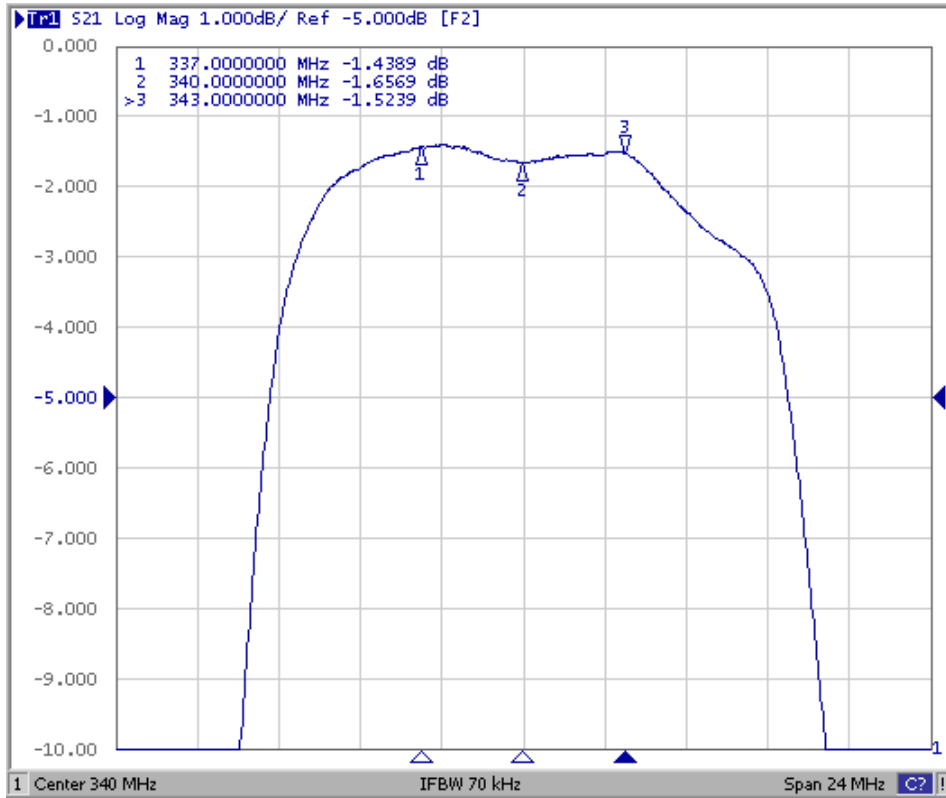
C. MEASUREMENT CIRCUIT:



SAW Filter 340MHz
Part No: MP02682

Model: TA1002A
REV. NO.: 1

D. FREQUENCY CHARACTERISTICS.



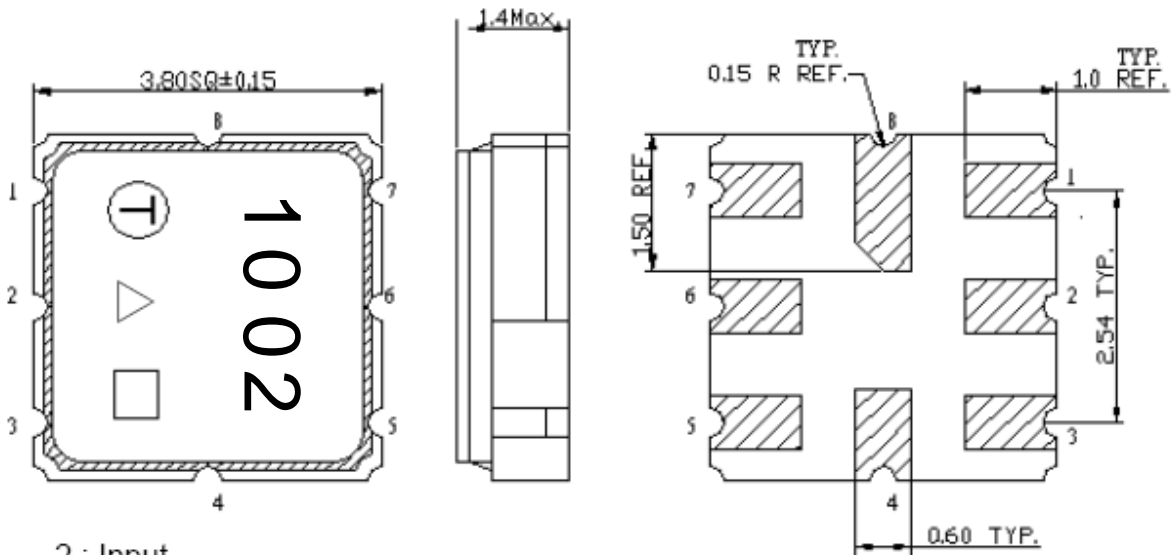
SAW Filter 340MHz

Model: TA1002A

Part No: MP02682

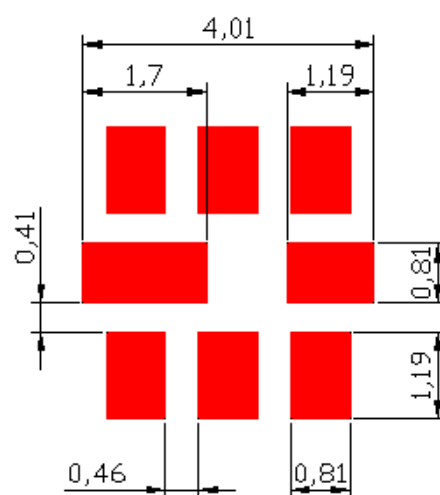
REV. NO.: 1

E. OUTLINE DRAWING:



- 2 : Input
- 6: Output
- 1,3,4,5,7,8: Ground
- △ : Year Code
- : Date Code (W01->A, W02->B, ..., W52->z)

F. PCB FOOTPRINT:

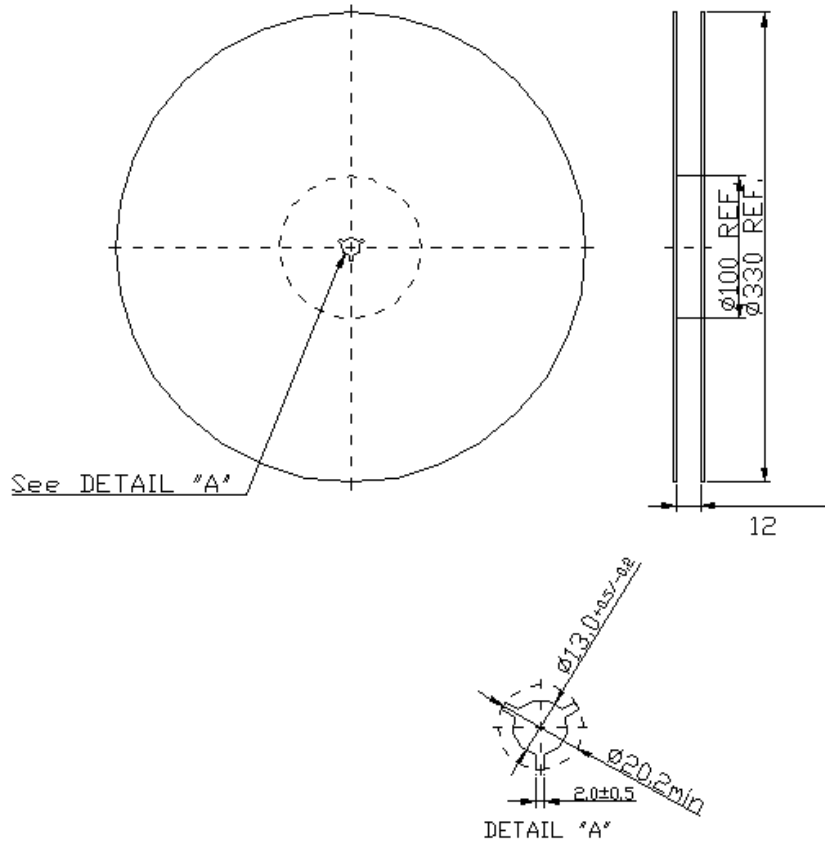


SAW Filter 340MHz
Part No: MP02682

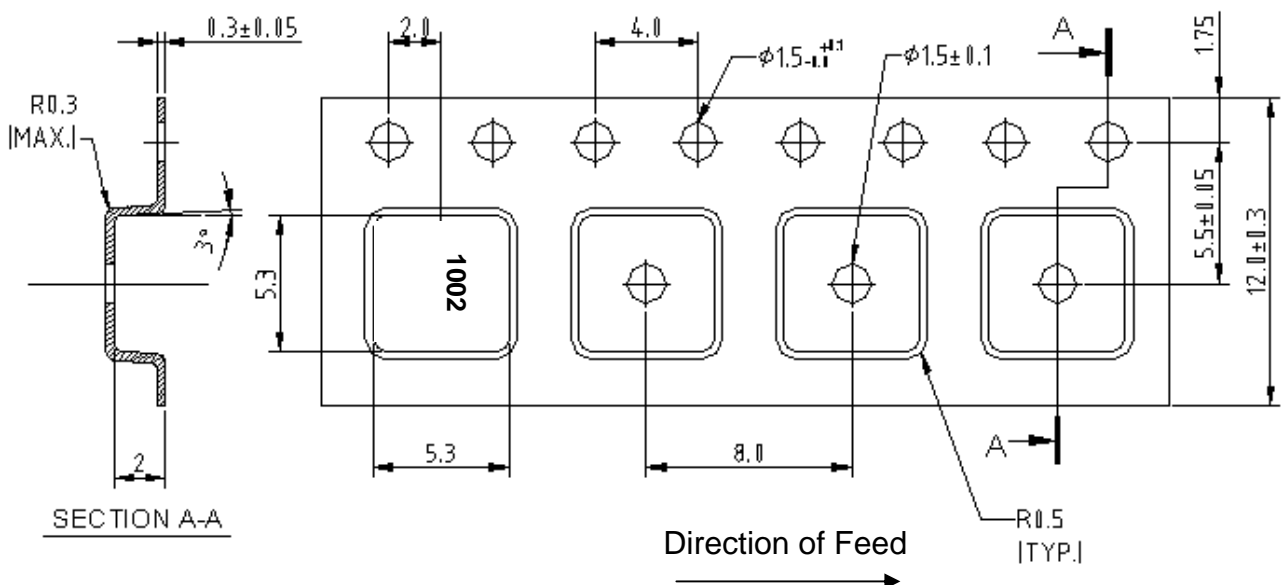
Model: TA1002A
REV. NO.: 1

G. PACKING:

1. REEL DIMENSION



2. TAPE DIMENSION



SAW Filter 340MHz

Model: TA1002A

Part No: MP02682

REV. NO.: 1

H. RECOMMENDED REFLOW PROFILE:

