

SAW Filter 915MHz
Part No: MP02291

Model: TA0829A
Rev No: 1

A. MAXIMUM RATING:

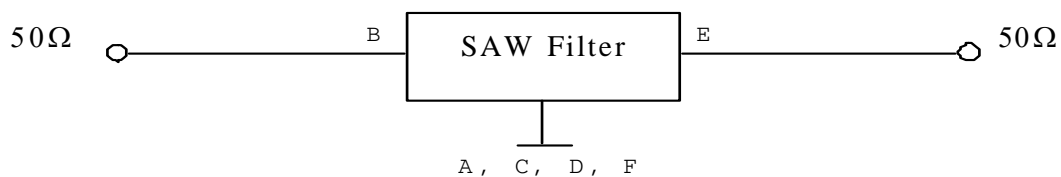
1. Input Power Level: 10dBm
2. DC Voltage: 3V
3. Operating Temperature: -40°C to +60°C
4. Storage Temperature: -40°C to +85°C

B. ELECTRICAL CHARACTERISTICS:

Item	Unit	Min.	Typ.	Max.	Note
Center Frequency Fc	MHz	-	915	-	-
Insertion Loss (910 ~ 920MHz) IL	dB	-	3	4	-
Amplitude Ripple (910 ~ 920MHz)	dB	-	0.8	2	-
Attenuation (Reference level from 0dB)					
D.C ~ 880MHz	dB	45	50	-	-
880 ~ 890MHz	dB	40	52	-	-
940 ~ 950MHz	dB	35	40	-	-
950 ~ 1200MHz	dB	43	48	-	-
1200 ~ 1600MHz	dB	40	48	-	-
1600 ~ 2200MHz	dB	30	43	-	-
2200 ~ 2500MHz	dB	25	35	-	-
2500 ~ 3000MHz	dB	20	27	-	-

C. MEASUREMENT CIRCUIT:

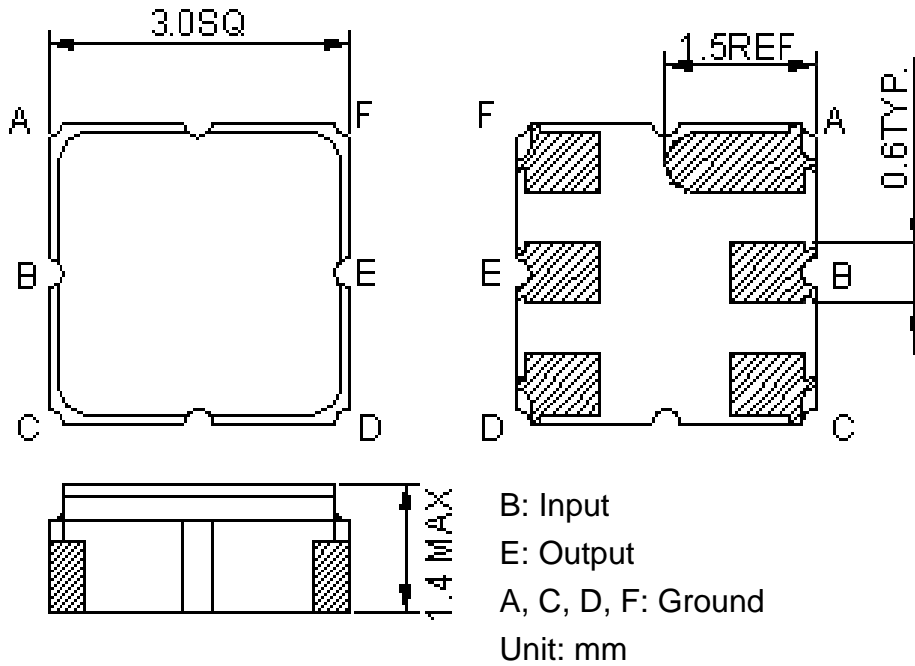
HP Network analyzer



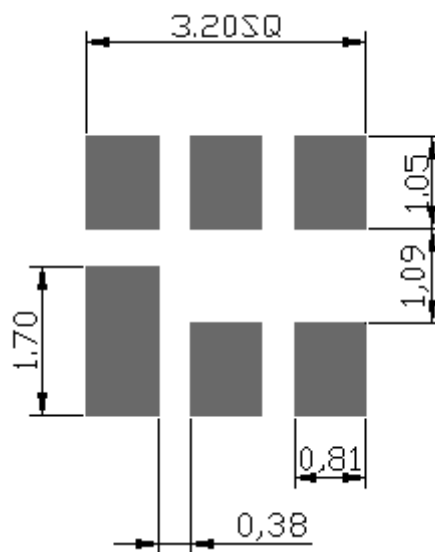
SAW Filter 915MHz
Part No: MP02291

Model: TA0829A
Rev No: 1

D. OUTLINE DRAWING:



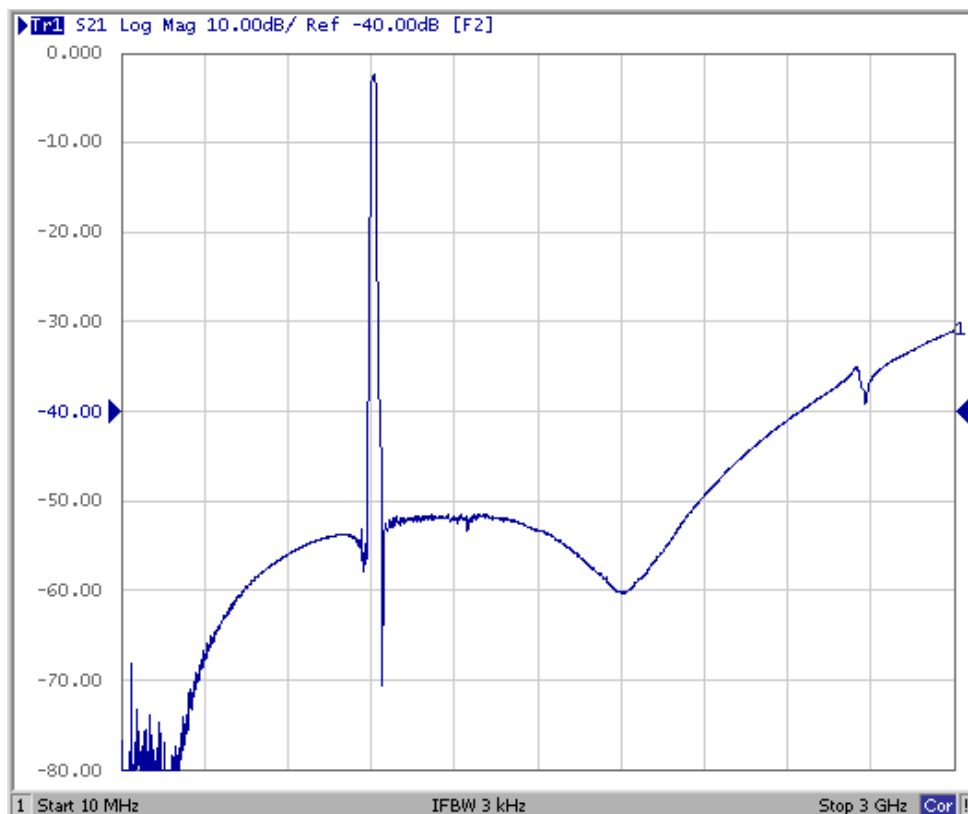
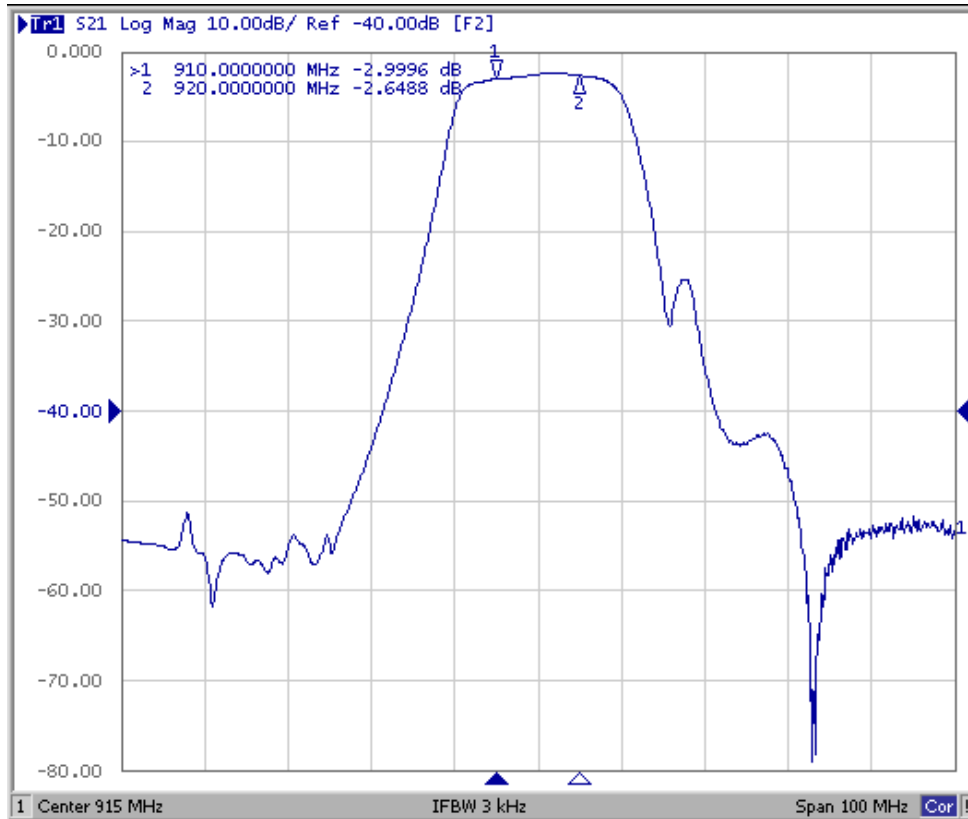
E. PCB FOOTPRINT:



SAW Filter 915MHz
Part No: MP02291

Model: TA0829A
Rev No: 1

F. FREQUENCY CHARACTERISTICS:

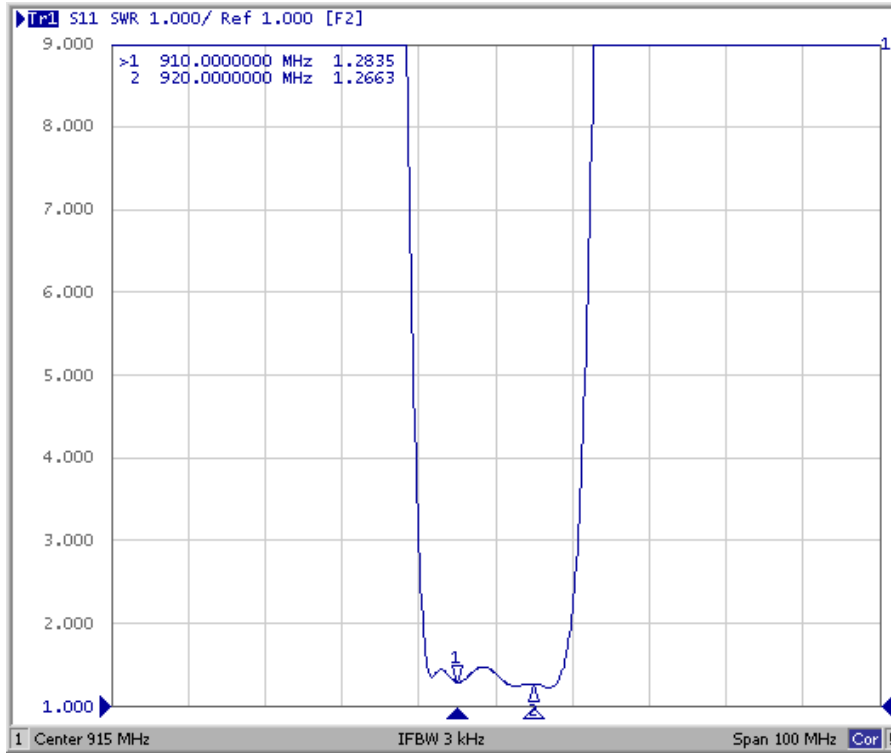


SAW Filter 915MHz
Part No: MP02291

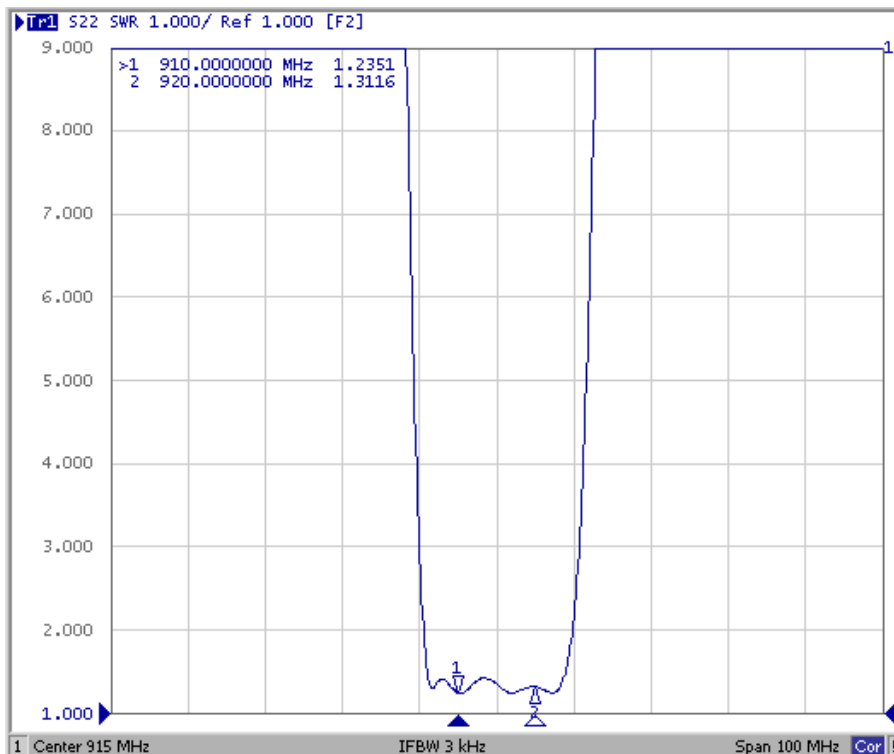
Model: TA0829A
Rev No: 1

Reflection Functions

S11



S22

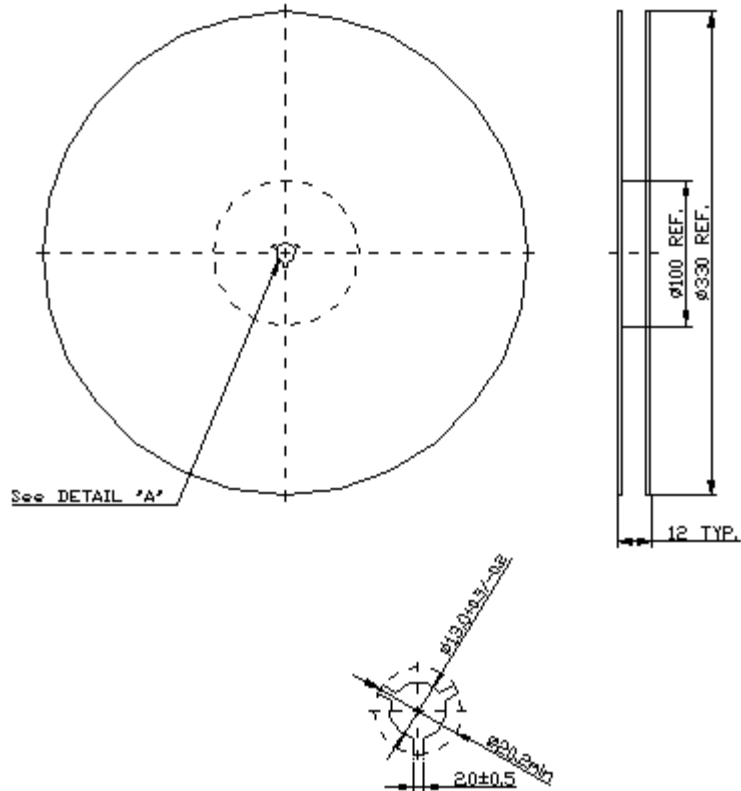


SAW Filter 915MHz
Part No: MP02291

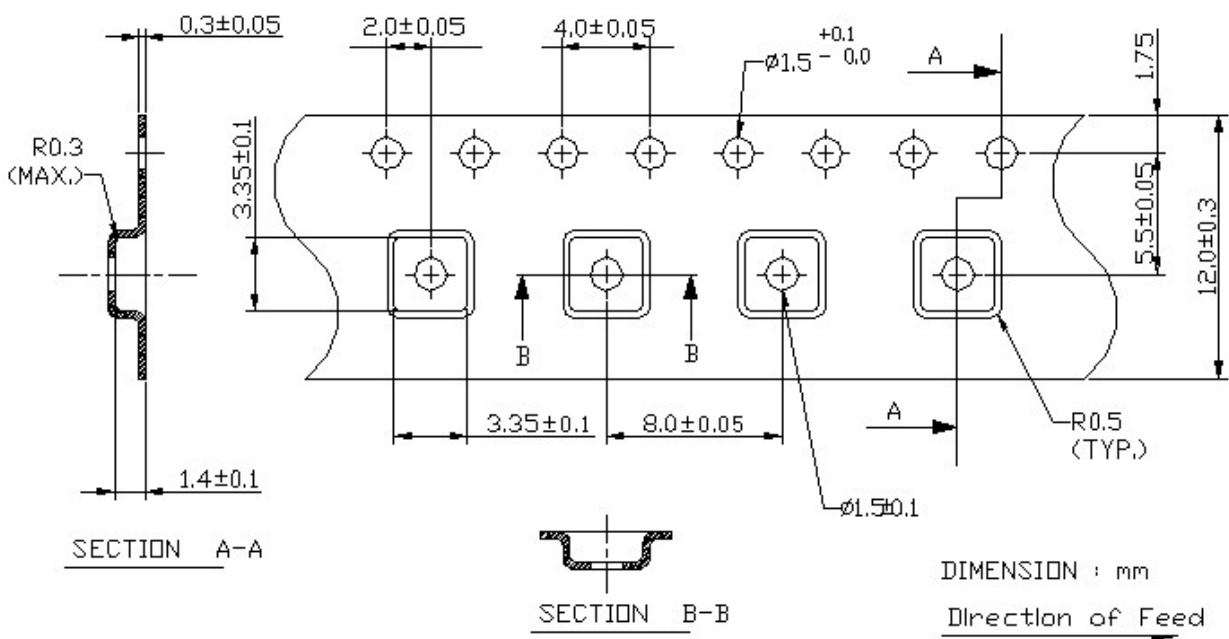
Model: TA0829A
Rev No: 1

G. PACKING:

1. Reel Dimension (Reel Count: 7" = 1000; 13" = 3000)



2. Tape Dimension



SAW Filter 915MHz
Part No: MP02291

Model: TA0829A
Rev No: 1

H. RECOMMENDED REFLOW PROFILE:

