

SAW Filter 340.0MHz
Part No: MP02260

Model: TA0797A
Rev No: 1

A. MAXIMUM RATING:

1. Input Power Level: 10dBm
2. DC voltage: 3V
3. Operating Temperature: -10°C to +65°C
4. Storage Temperature: -40°C to +85°C

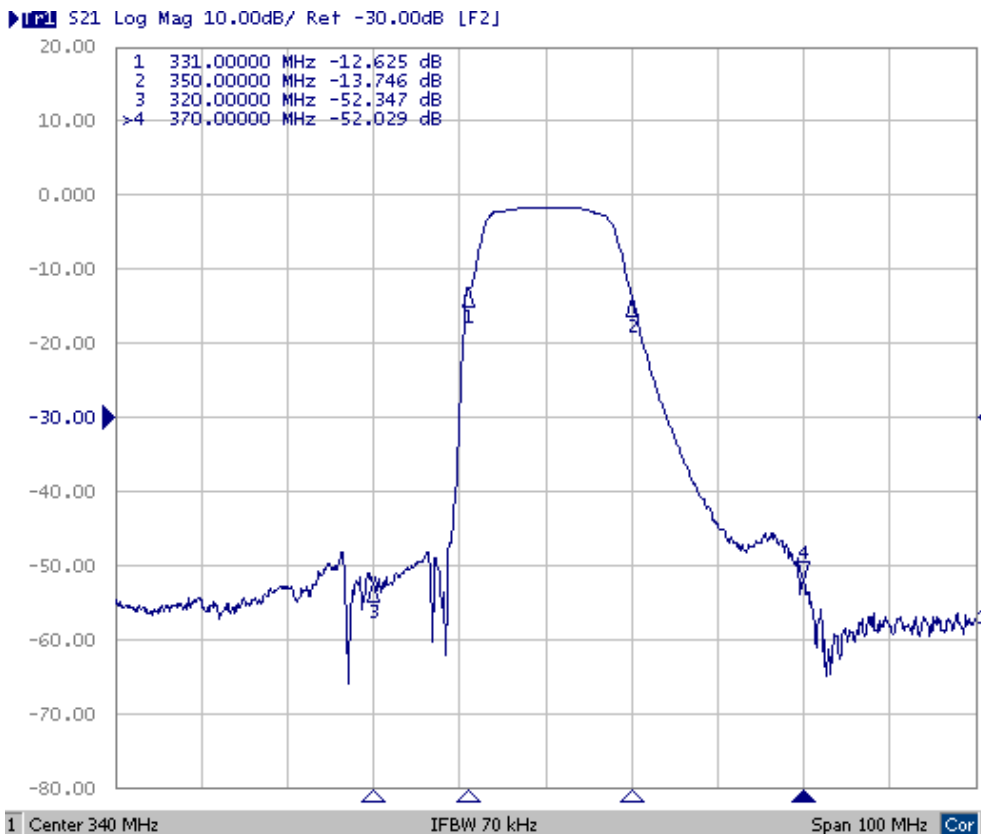
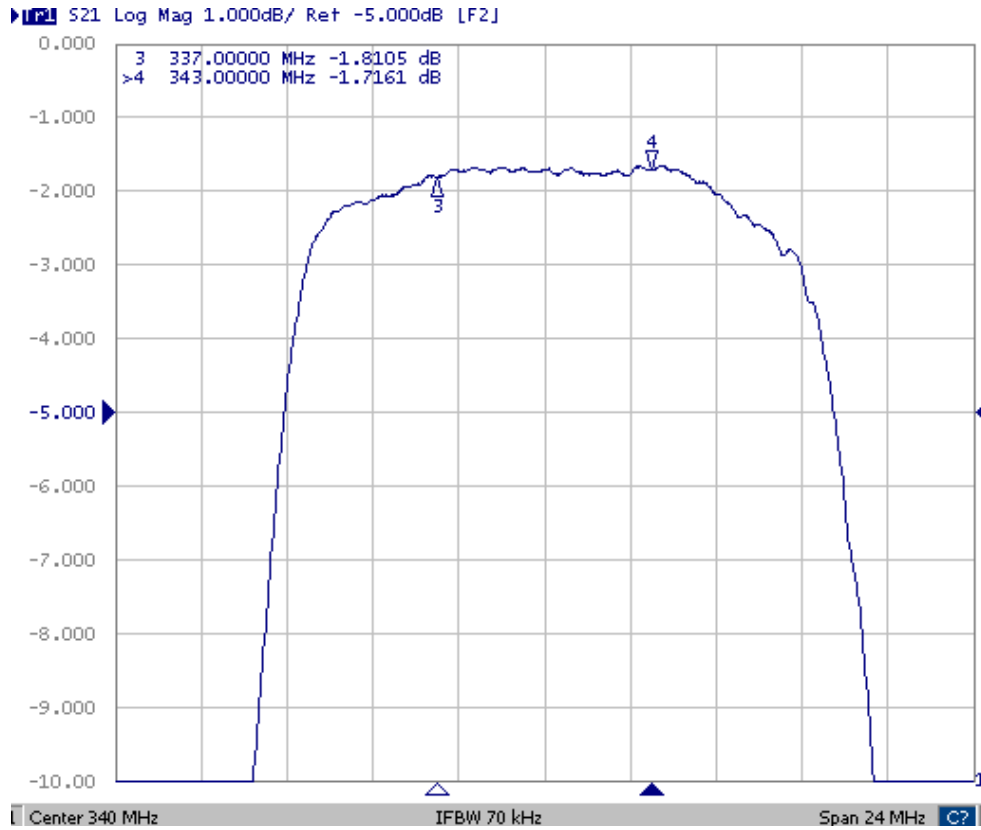
B. ELECTRICAL CHARACTERISTICS:

Item	Unit	Min.	Typ.	Max.
Center frequency Fc	MHz	-	340	-
Insertion Loss 337 ~ 343MHzIL	dB	-	1.9	3.5
Ripple 337 ~ 343MHz	MHz	-	0.4	1.5
Return Loss 337 ~ 343MHz	dB	-	-14	-9
Absolute Attenuation: (Ref level from 0dB)				
300 to 320MHz	dB	40	46	-
320 to 331MHz	dB	6	12	-
350 to 370MHz	dB	6	12	-
370 to 400MHz	dB	40	45	-
Temperature coefficient of frequency	ppm/k	-	-37	-
Source impedance Z _S	Ω	-	50	-
Load impedance Z _L	Ω	-	50	-

SAW Filter 340.0MHz
Part No: MP02260

Model: TA0797A
Rev No: 1

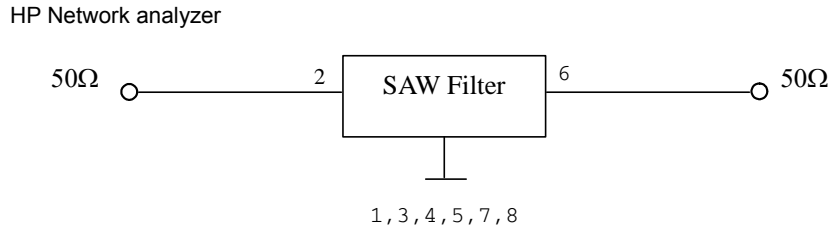
C. FREQUENCY CHARACTERISTICS:



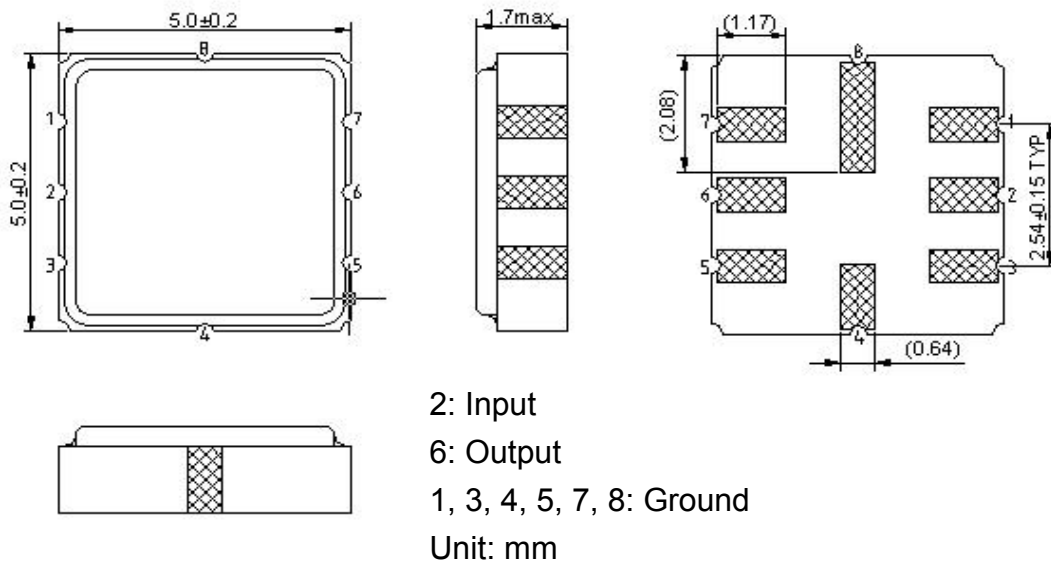
SAW Filter 340.0MHz
Part No: MP02260

Model: TA0797A
Rev No: 1

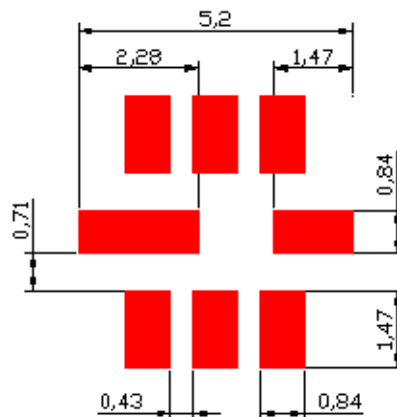
D. MEASUREMENT CIRCUIT:



E. OUTLINE DRAWING:



F. PCB FOOTPRINT:

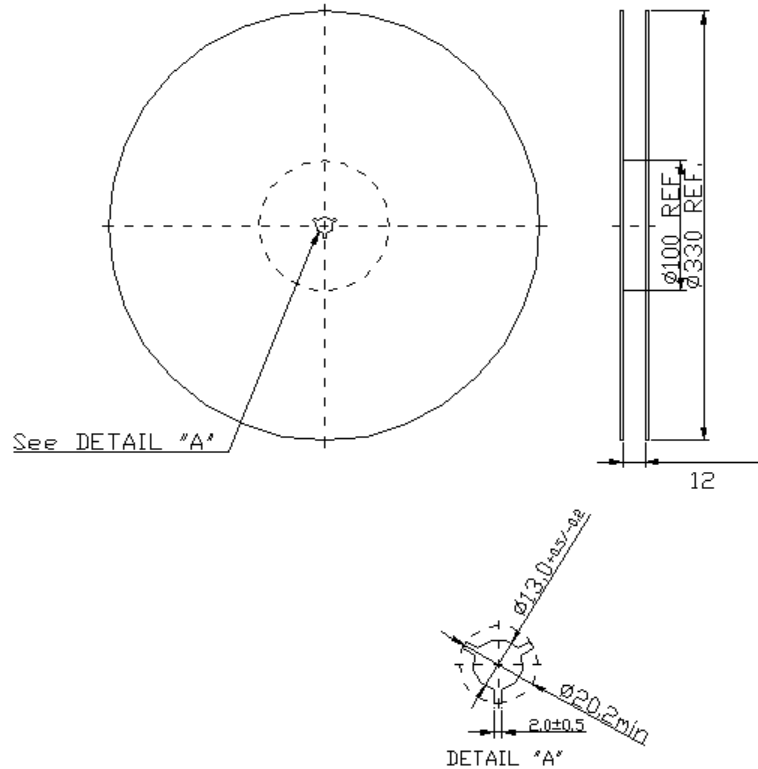


SAW Filter 340.0MHz
Part No: MP02260

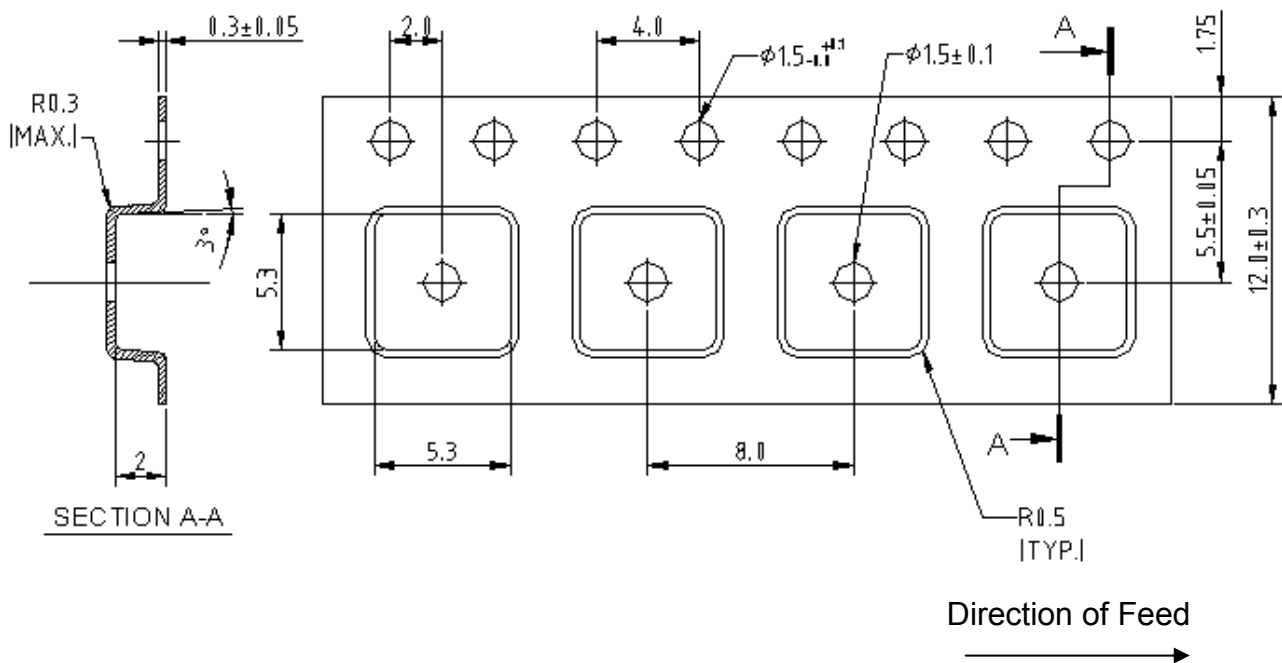
Model: TA0797A
Rev No: 1

G. PACKING:

1. Reel Dimension



2. Tape Dimension



SAW Filter 340.0MHz
Part No: MP02260

Model: TA0797A
Rev No: 1

H. RECOMMENDED REFLOW PROFILE:

