

**SAW Filter: 872.50MHz**  
**Part No: MP02034**

**Model: TA0976A**  
**Rev No: 1**

**A. MAXIMUM RATING:**

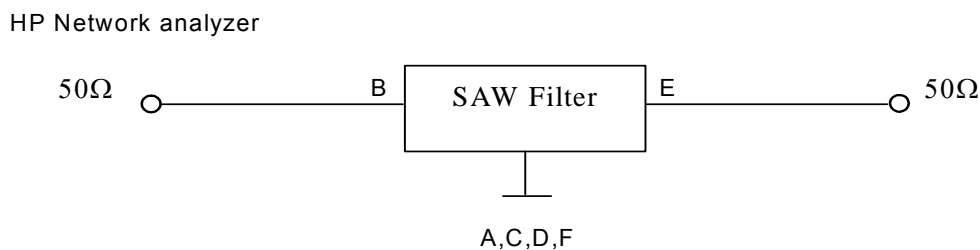
1. Input Power Level: 10dBm
2. DC voltage: 3V
3. Operating Temperature: -30°C to 85°C
4. Storage Temperature: -40°C to +85°C

**B. CHARACTERISTICS:**

Item	Unit	Min.	Typ.	Max.
Center frequency Fc	MHz	-	872.5	-
Insertion loss 865 ~ 880MHz IL	dB	-	2.7	3.5
Amplitude ripple 865 ~ 880MHz	dB	-	0.7	1.5
VSWR 865 ~ 880MHz	-	-	1.5	2.0
Attenuation (reference from 0dB)				
10 ~ 820MHz	dB	40	45	-
820 ~ 835MHz	dB	35	40	-
912 ~ 927MHz	dB	25	32	-
927 ~ 972MHz	dB	35	40	-
972 ~ 1300MHz	dB	40	45	-
Source impedance Z <sub>S</sub>	Ω	-	50	-
Load impedance Z <sub>L</sub>	Ω	-	50	-

Note1. No matching network required for operation at 50Ω

**C. MEASUREMENT CIRCUIT:**

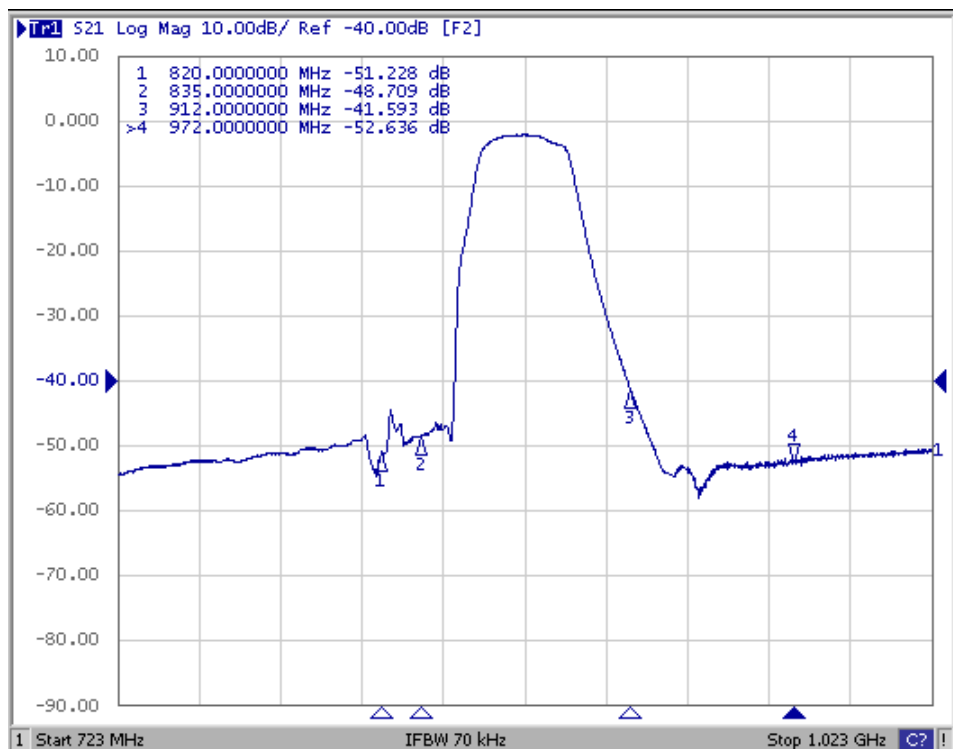
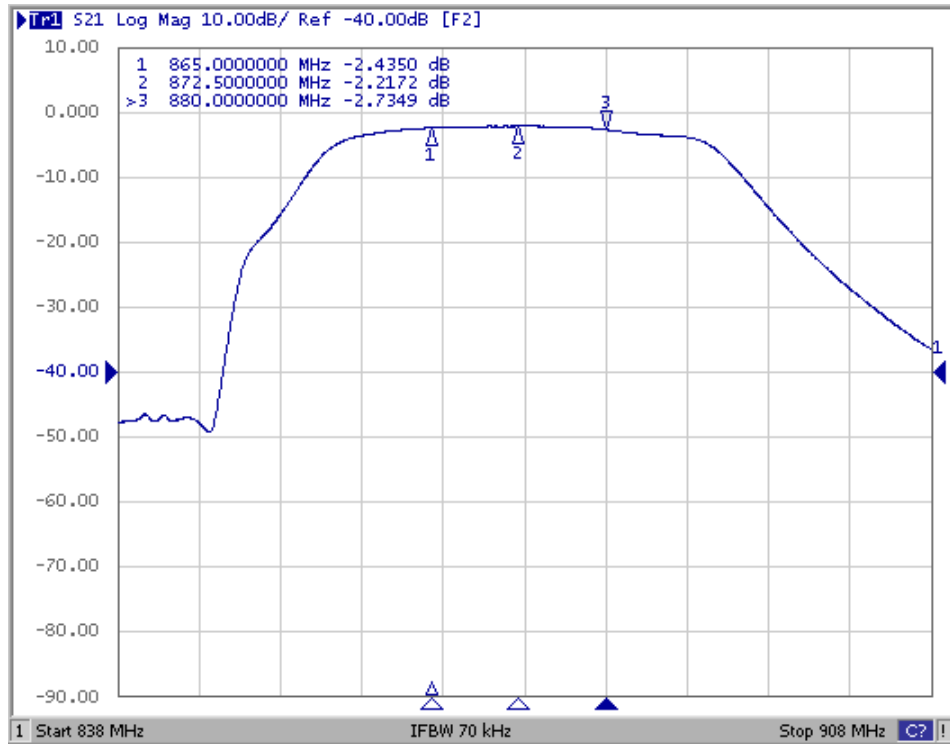


**SAW Filter: 872.50MHz**  
**Part No: MP02034**

**Model: TA0976A**  
**Rev No: 1**

**D. FREQUENCY CHARACTERISTICS:**

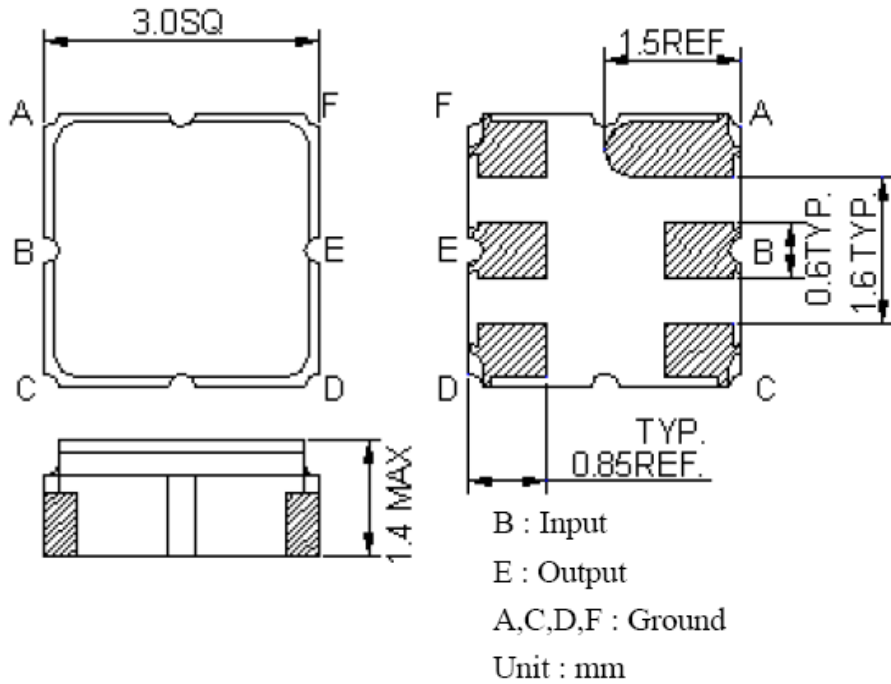
Transfer function



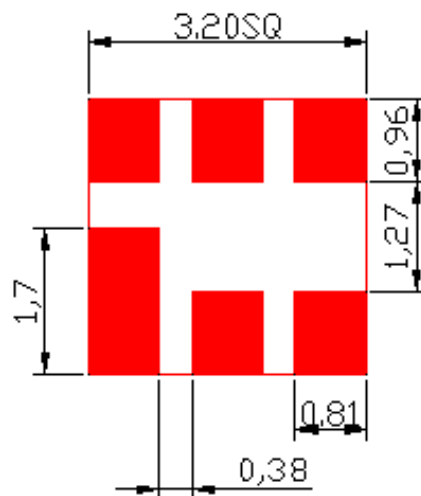
**SAW Filter: 872.50MHz**  
**Part No: MP02034**

**Model: TA0976A**  
**Rev No: 1**

**E. OUTLINE DRAWING:**



**F. PCB FOOTPRINT:**

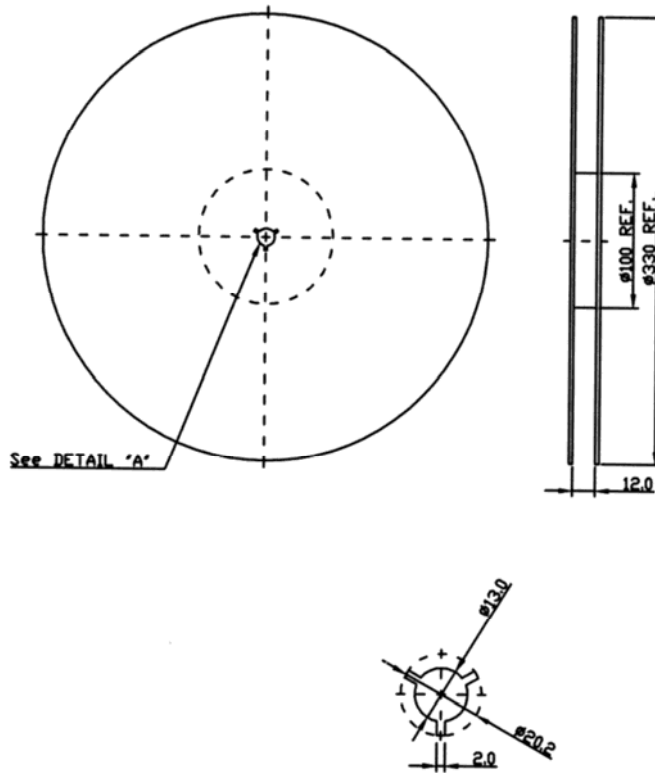


**SAW Filter: 872.50MHz**  
**Part No: MP02034**

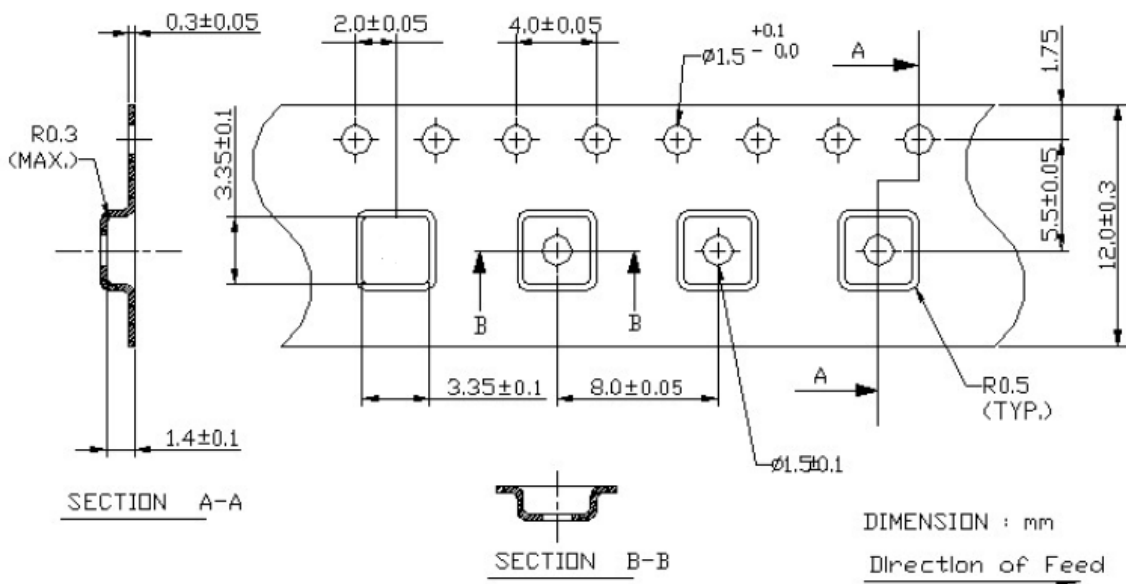
**Model: TA0976A**  
**Rev No: 1**

**G. PACKING:**

1. Reel Dimension



2. Tape Dimension



**SAW Filter: 872.50MHz**  
**Part No: MP02034**

**Model: TA0976A**  
**Rev No: 1**

**H. RECOMMENDED REFLOW PROFILE:**

