

SAW Filter 402.0MHz
Part No: MP01797

Model: TA0875A
Rev No: 1

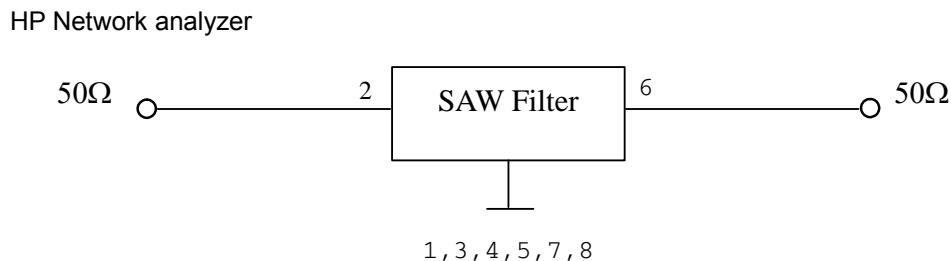
A. MAXIMUM RATING:

1. Input Power Level: 10dBm
2. DC voltage: 3V
3. Operating Temperature: -55°C to +85°C
4. Storage Temperature: -55°C to +85°C

B. ELECTRICAL CHARACTERISTICS:

Item	Unit	Min.	Typ.	Max.
Center frequency Fc	MHz	-	402	-
Insertion Loss IL min (reference level)	dB	-	1.6	3.0
1dB Bandwidth BW -1dB	MHz	16	18	-
Absolute Attenuation: (Reference level from 0dB)				
302 to 362MHz	dB	40	44	-
434 to 440MHz	dB	35	38	-
440 to 502MHz	dB	40	48	-
Source impedance Z _S	Ω	-	50	-
Load impedance Z _L	Ω	-	50	-

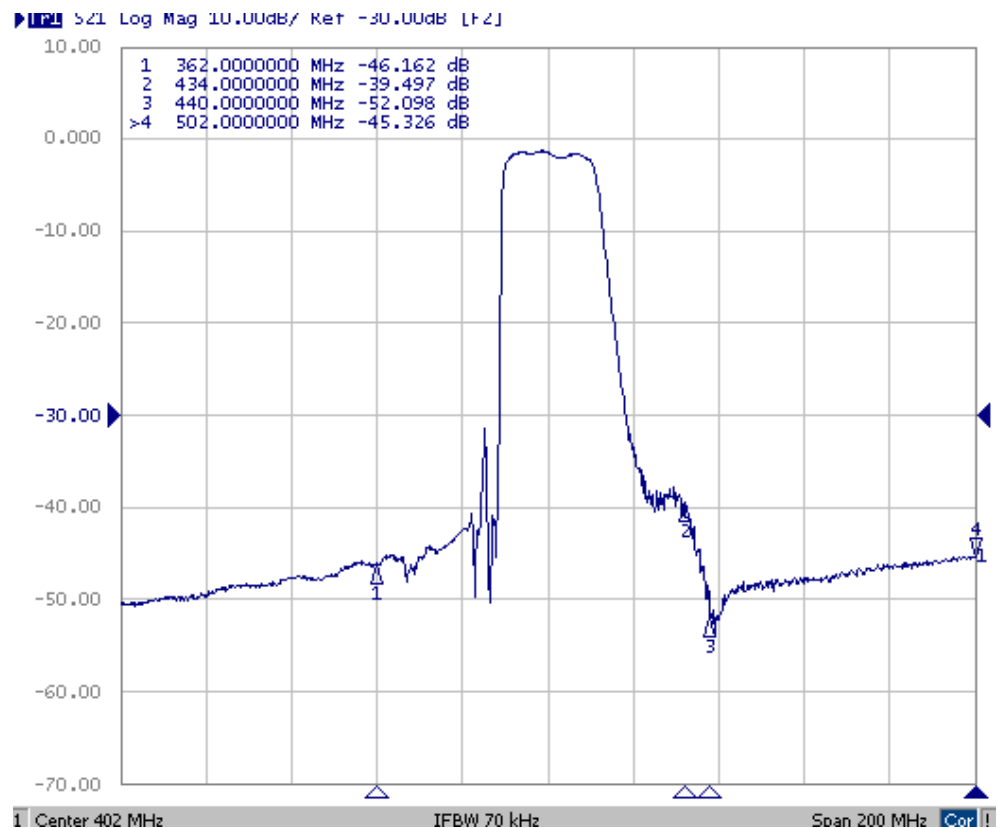
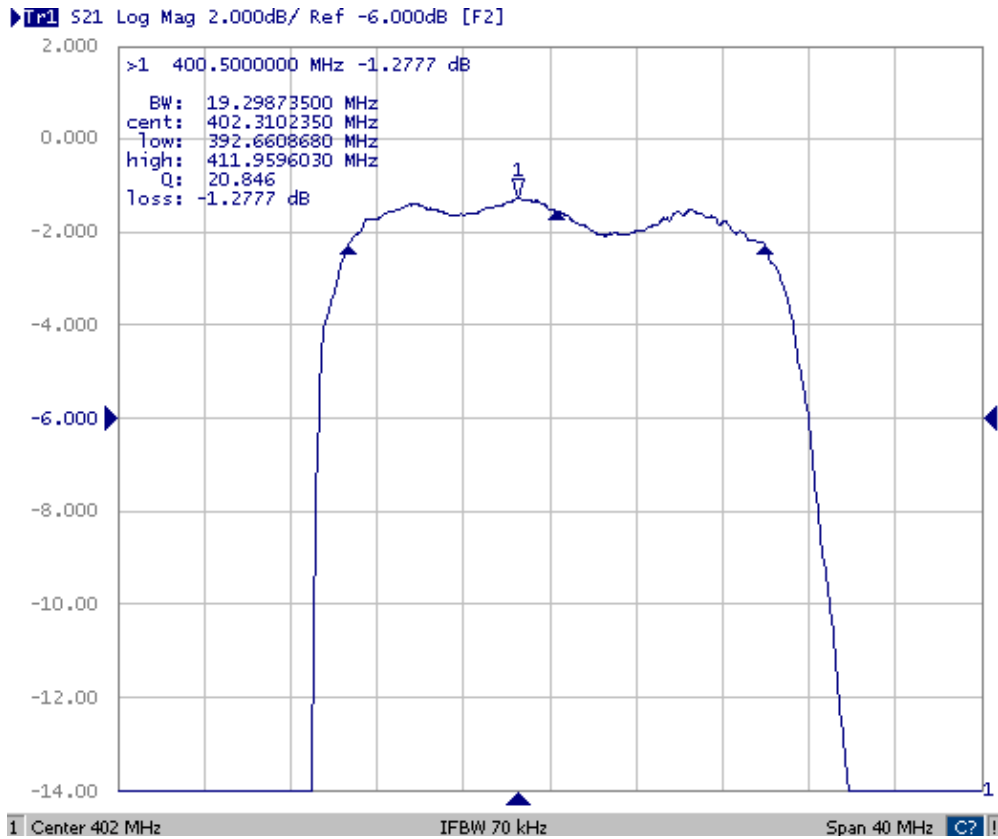
C. MEASUREMENT CIRCUIT:



SAW Filter 402.0MHz
Part No: MP01797

Model: TA0875A
Rev No: 1

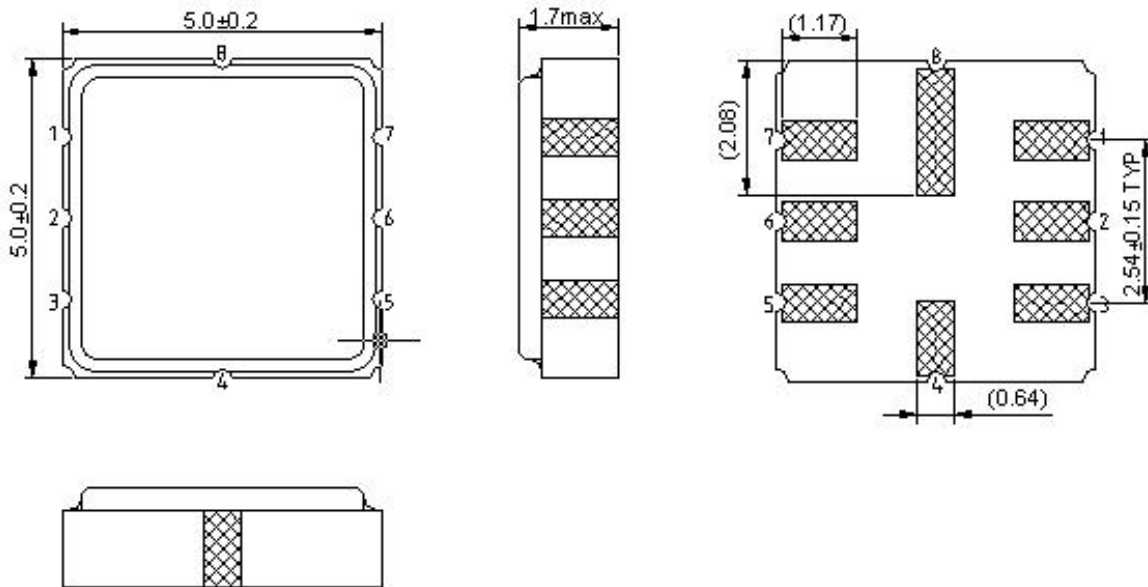
D. FREQUENCY CHARACTERISTICS:



SAW Filter 402.0MHz
Part No: MP01797

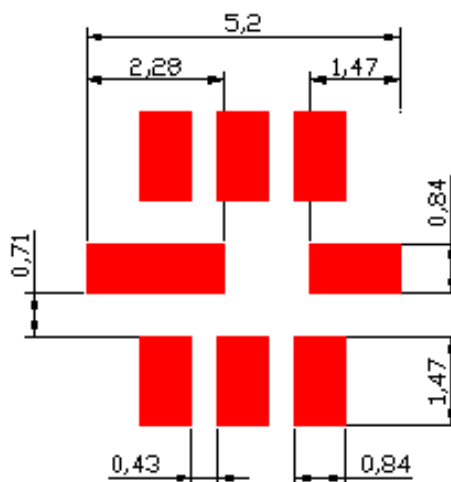
Model: TA0875A
Rev No: 1

E. OUTLINE DRAWING:



- 2: Input
 - 6: Output
 - 1, 3, 4, 5, 7, 8: Ground
- Unit: mm

F. PCB FOOTPRINT:

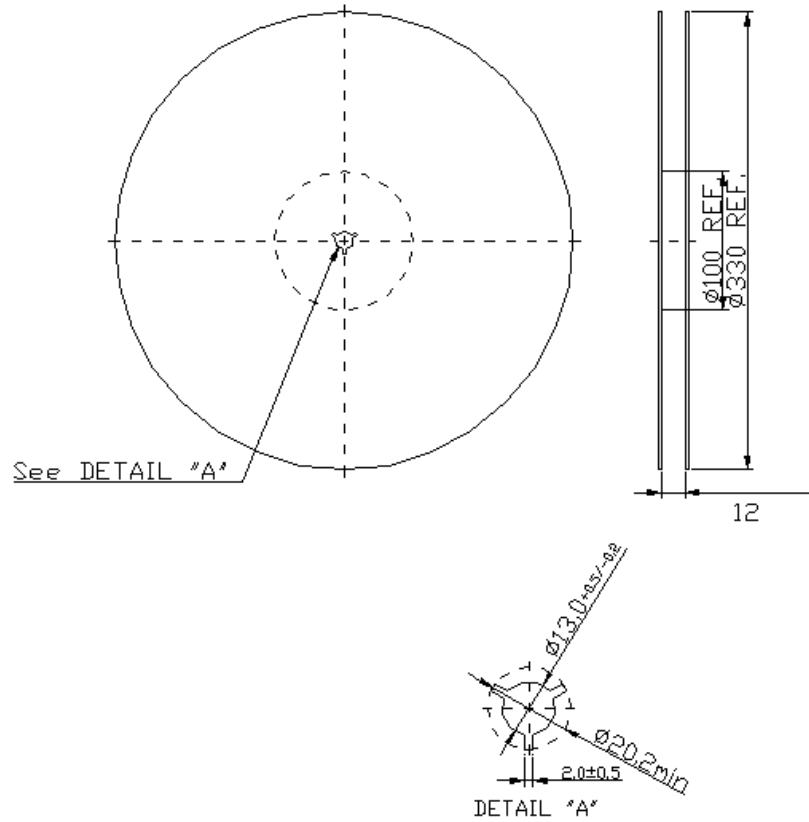


SAW Filter 402.0MHz
Part No: MP01797

Model: TA0875A
Rev No: 1

G. PACKING:

1. Reel Dimension



2. Tape Dimension

