

**SAW Filter 996.0MHz**  
**Part No: MP01545**

**Model: TA0674A**  
**Rev. No: 1**

**A. MAXIMUM RATING:**

1. Input Power Level: 10dBm
2. DC voltage: 5V
3. Operating Temperature: -20°C to 65°C
4. Storage Temperature: -40°C to +85°C

**B. CHARACTERISTICS:**

Item	Min.	Typ.	Max.
Center frequency Fc MHz	-	996	-
Insertion loss 992 ~ 1000MHz IL max (dB)	-	2.8	4.0
Amplitude ripple 992 ~ 1000MHz (dB)	-	0.5	2.0
Attenuation (Relative to 0dB)			
10.0 ~ 840.0MHz (dB)	45	49	-
840.0 ~ 932.0 MHz (dB)	40	46	-
932.0 ~ 945.0MHz (dB)	30	41	-
1045 ~ 1200MHz (dB)	40	45	-
Source impedance Z <sub>S</sub> (Ω)	-	50	-
Load impedance Z <sub>L</sub> (Ω)	-	50	-

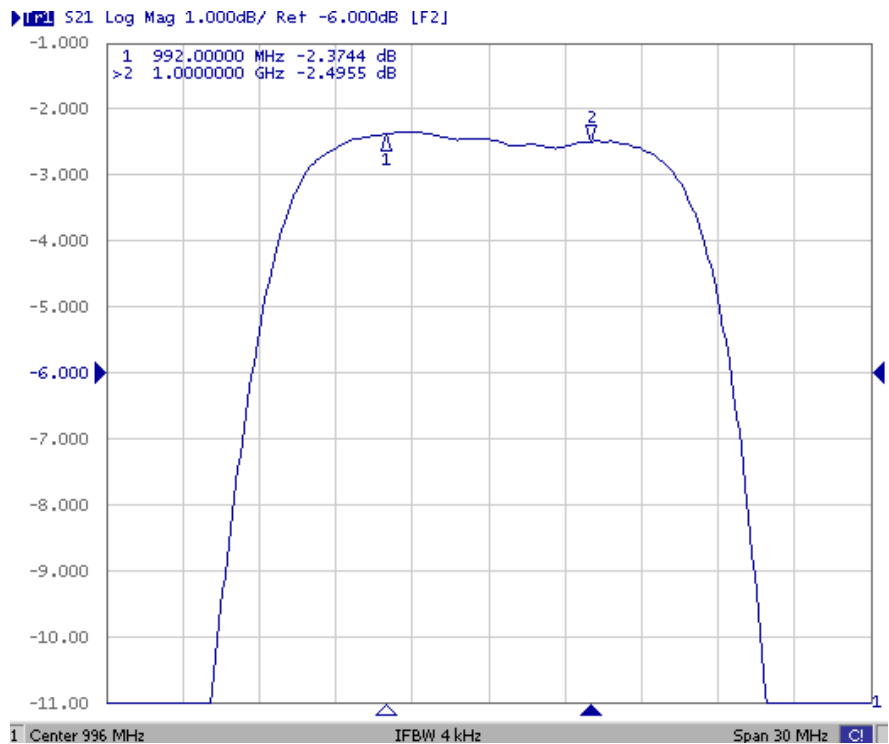
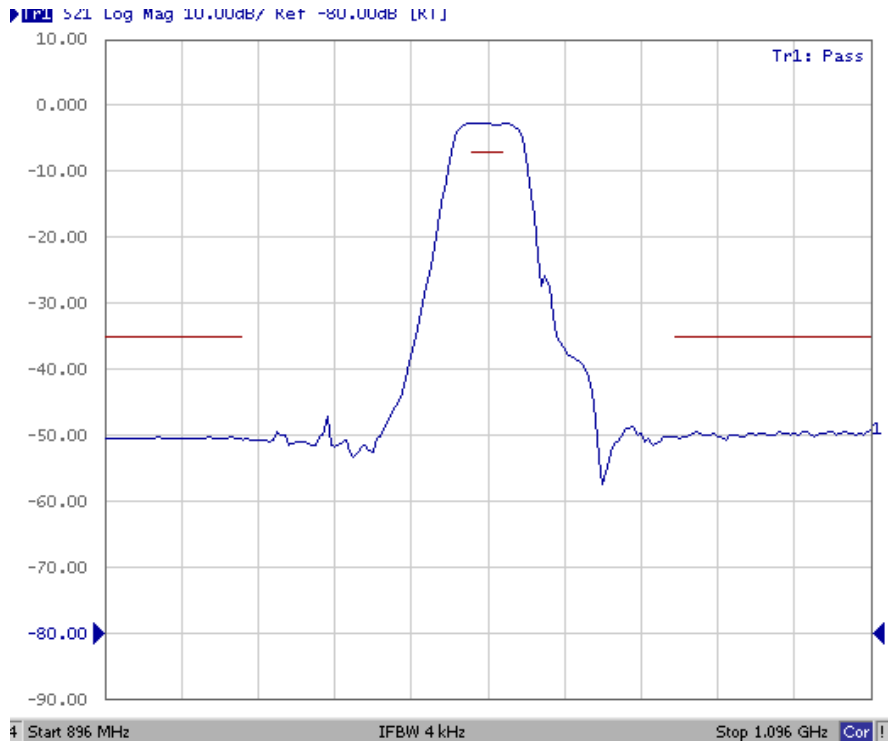
Note: No matching network required for operation at 50Ω

**SAW Filter 996.0MHz**  
**Part No: MP01545**

**Model: TA0674A**  
**Rev. No: 1**

**C. FREQUENCY CHARACTERISTICS:**

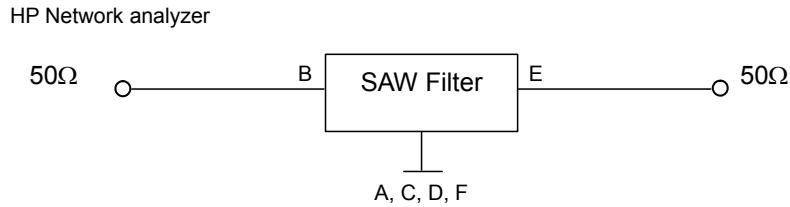
Transfer function:



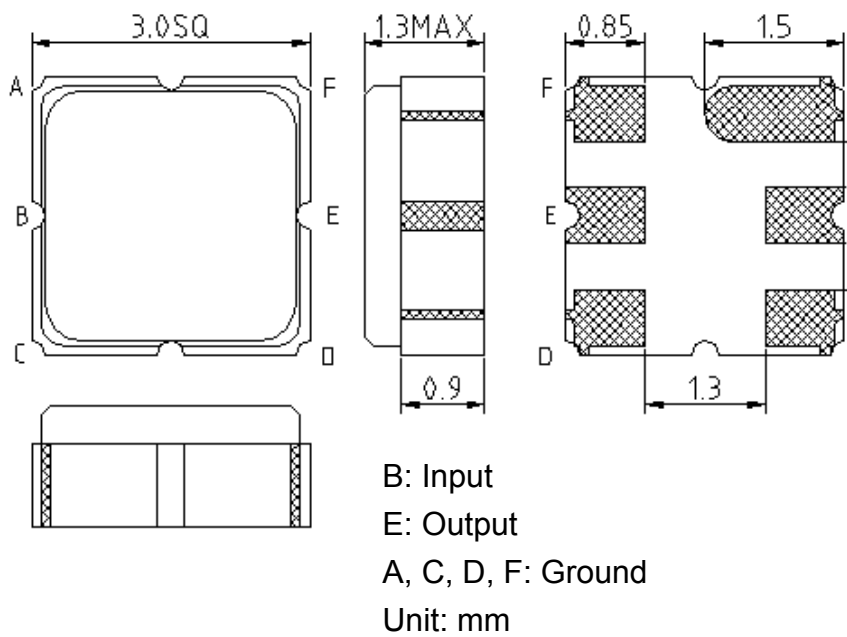
**SAW Filter 996.0MHz**  
**Part No: MP01545**

**Model: TA0674A**  
**Rev. No: 1**

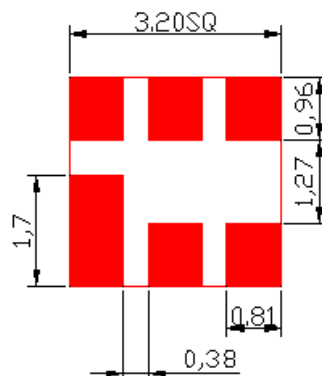
**D. MEASUREMENT CIRCUIT:**



**E. OUTLINE DRAWING:**



**F. PCB FOOTPRINT:**

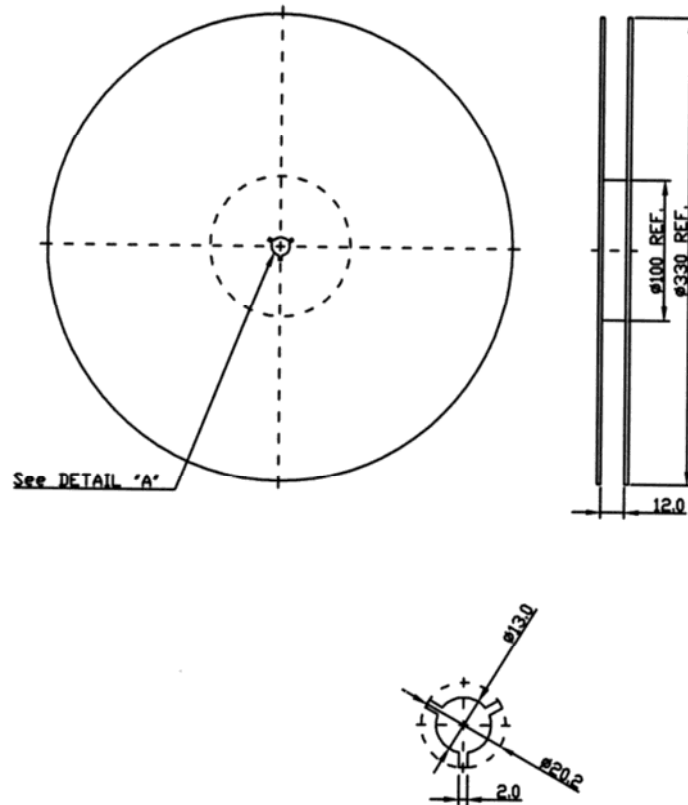


**SAW Filter 996.0MHz**  
**Part No: MP01545**

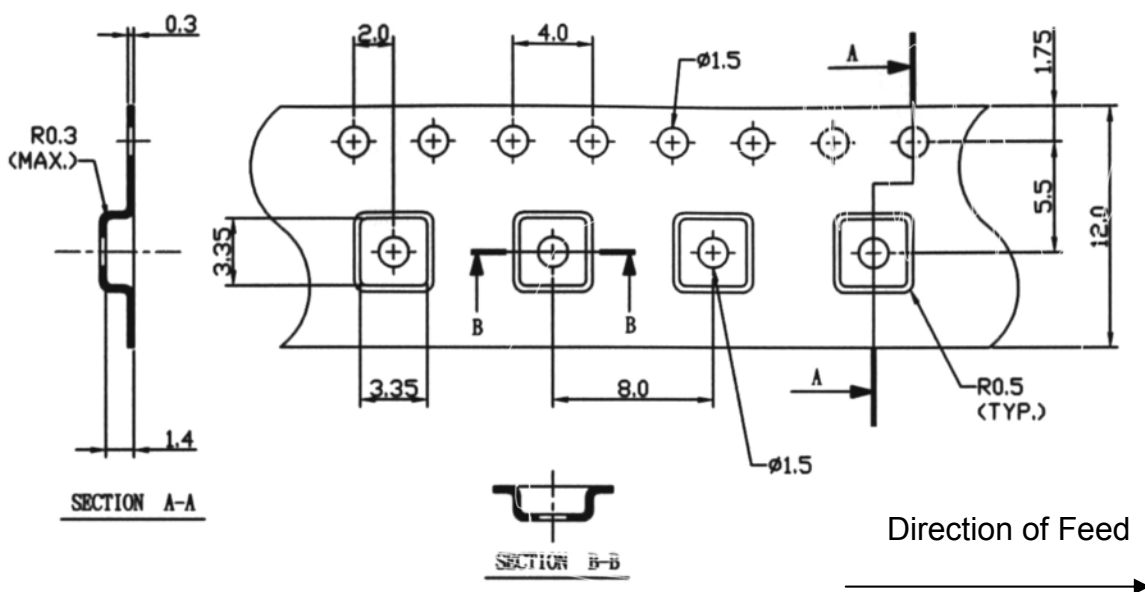
**Model: TA0674A**  
**Rev. No: 1**

**G. PACKING:**

1. Reel Dimension



2. Tape Dimension



**SAW Filter 996.0MHz**  
**Part No: MP01545**

**Model: TA0674A**  
**Rev. No: 1**

**H. RECOMMENDED REFLOW PROFILE:**

