

SAW Filter 2132.50MHz
Part No: MP01544

Model: TA0756A
Rev. No: 1

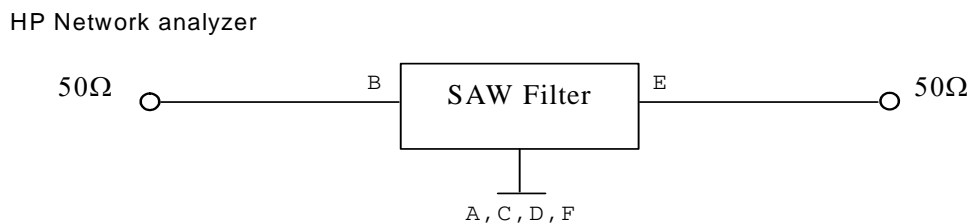
A. MAXIMUM RATING:

1. Input Power Level: 13dBm
2. DC Voltage: 3V
3. Operating Temperature: -30°C to +85°C
4. Storage Temperature: -40°C to +85°C

B. ELECTRICAL CHARACTERISTICS:

Item	Unit	Min.	Typ.	Max.	Note
Center Frequency Fc	MHz	-	2132.5	-	-
Insertion Loss (2110 ~ 2155MHz) IL	dB	-	2.4	3.7	-
Amplitude Ripple (2110 ~ 2155MHz)	dB	-	0.9	2	-
VSWR (2110 ~ 2155MHz)		-	1.6	2.5	-
Attenuation (Reference level from 0dB)					
1800 ~ 2070MHz	dB	25	34	-	-
2195 ~ 2400MHz	dB	25	40	-	-

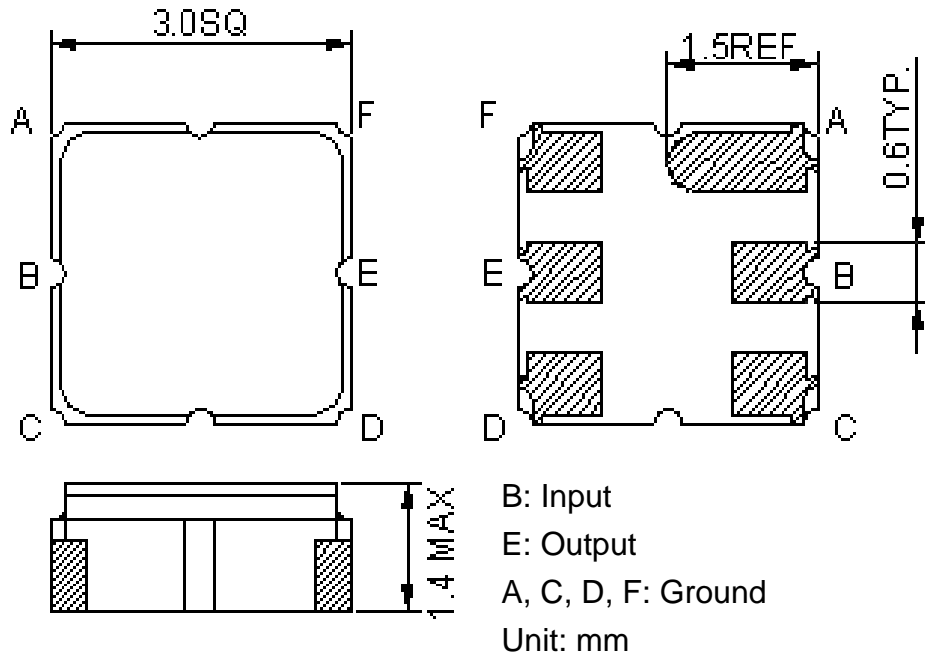
C. MEASUREMENT CIRCUIT:



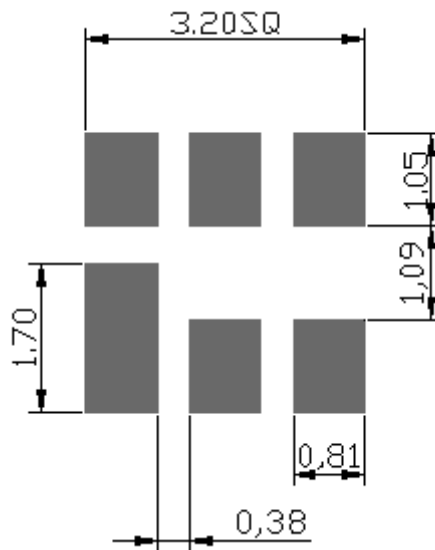
SAW Filter 2132.50MHz
Part No: MP01544

Model: TA0756A
Rev. No: 1

D. OUTLINE DRAWING:



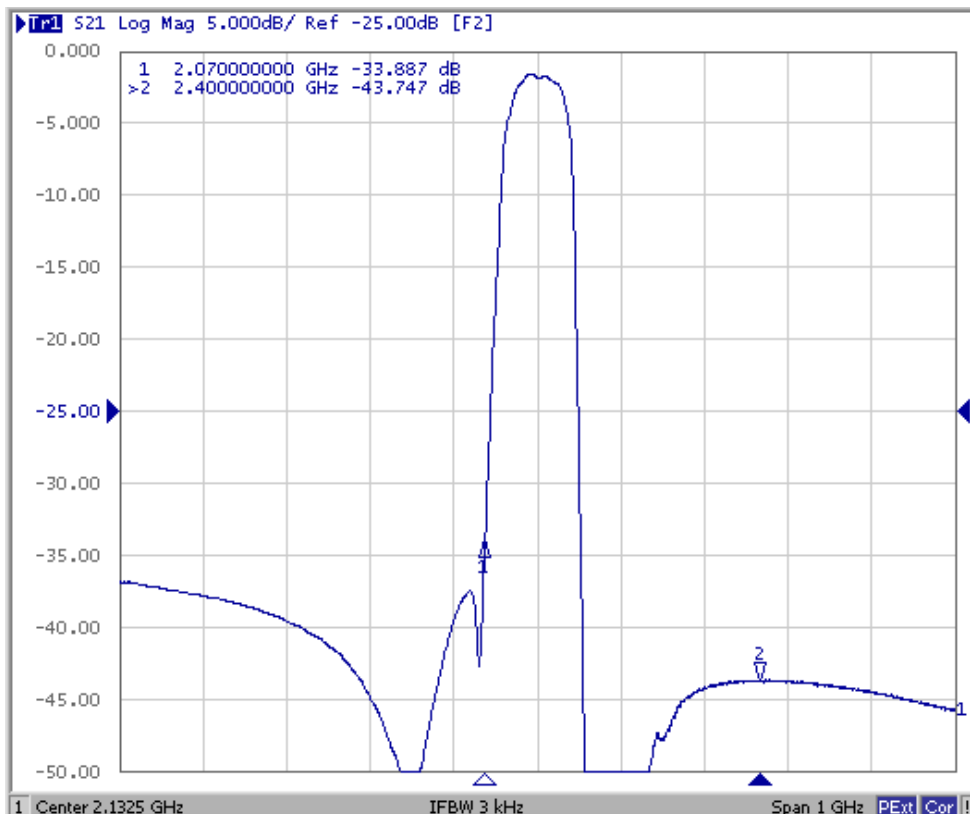
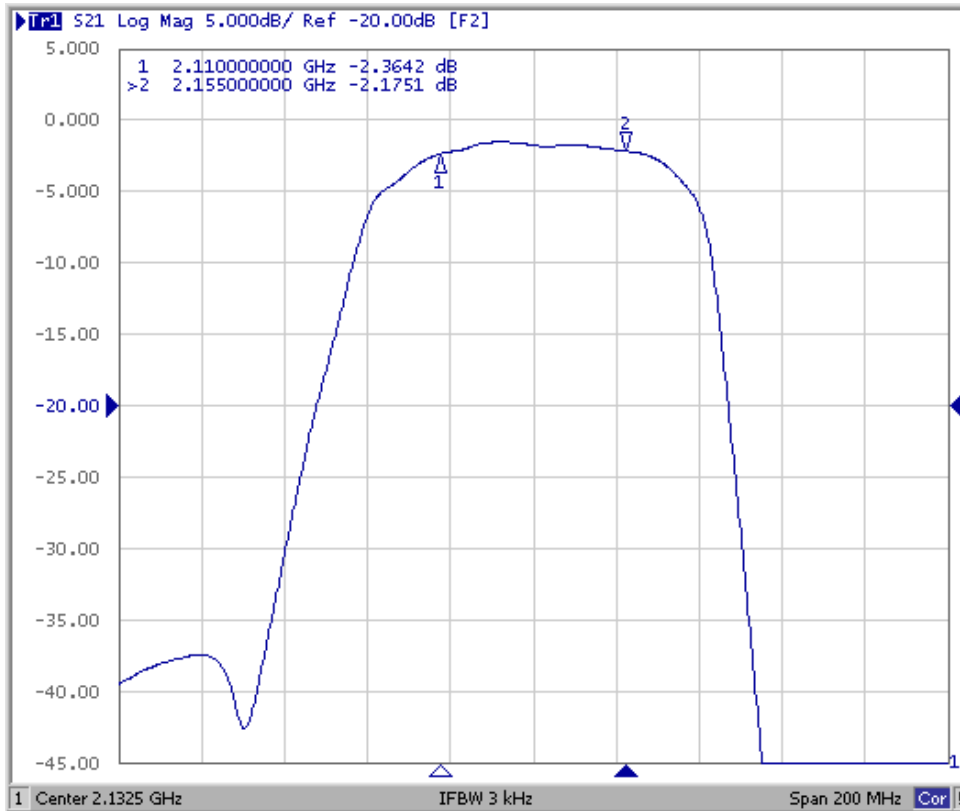
E. PCB FOOTPRINT:



SAW Filter 2132.50MHz
Part No: MP01544

Model: TA0756A
Rev. No: 1

F. FREQUENCY CHARACTERISTICS:

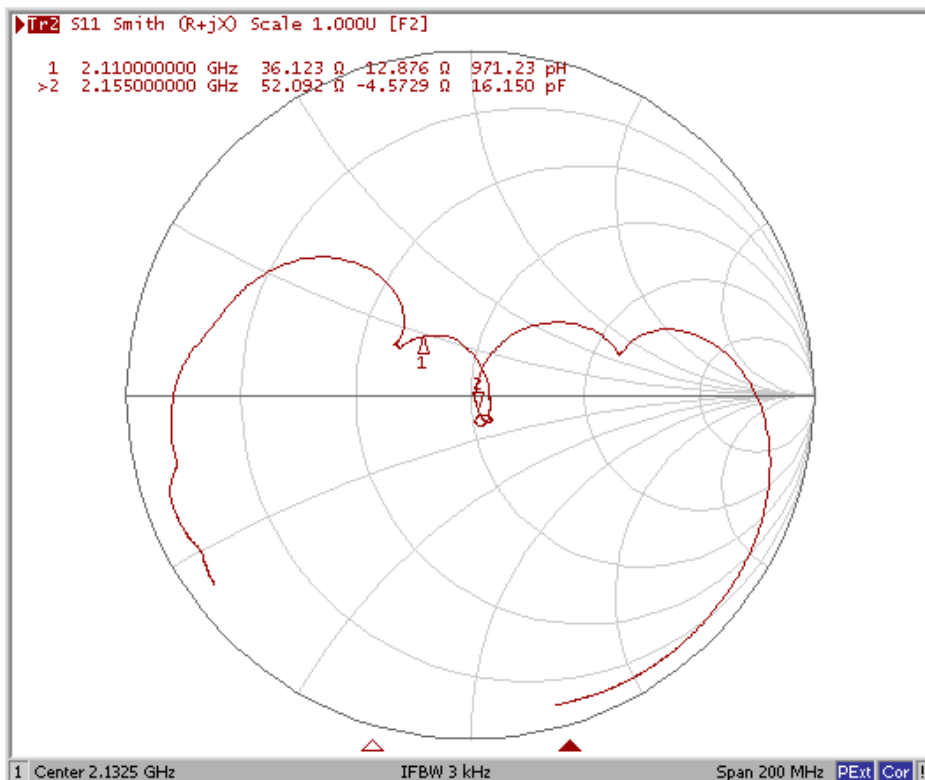
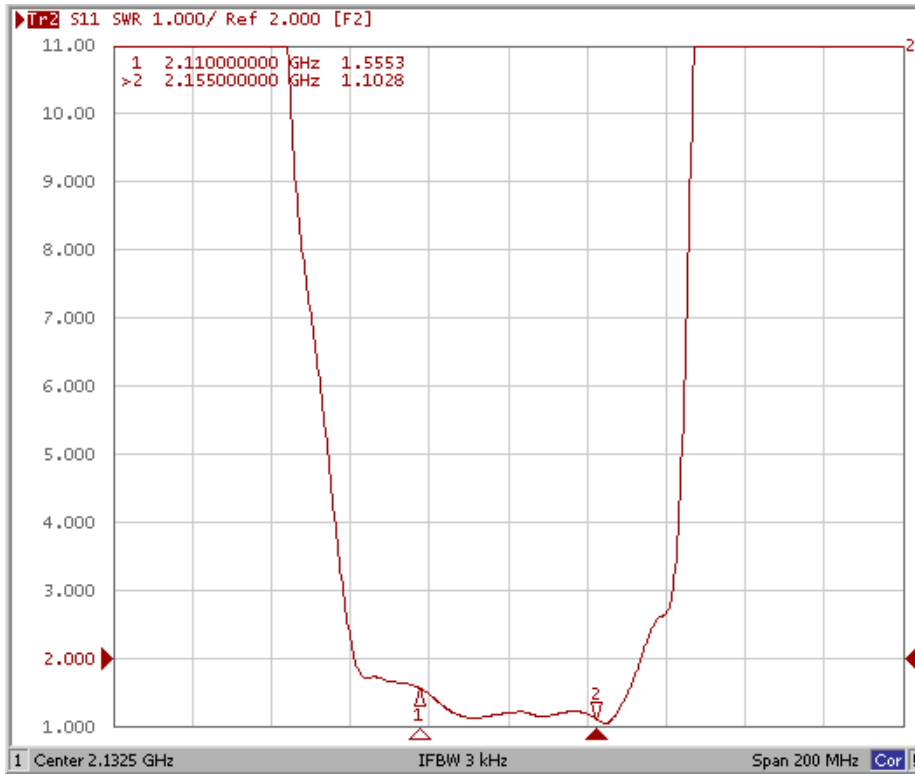


SAW Filter 2132.50MHz
Part No: MP01544

Model: TA0756A
Rev. No: 1

Reflection Functions

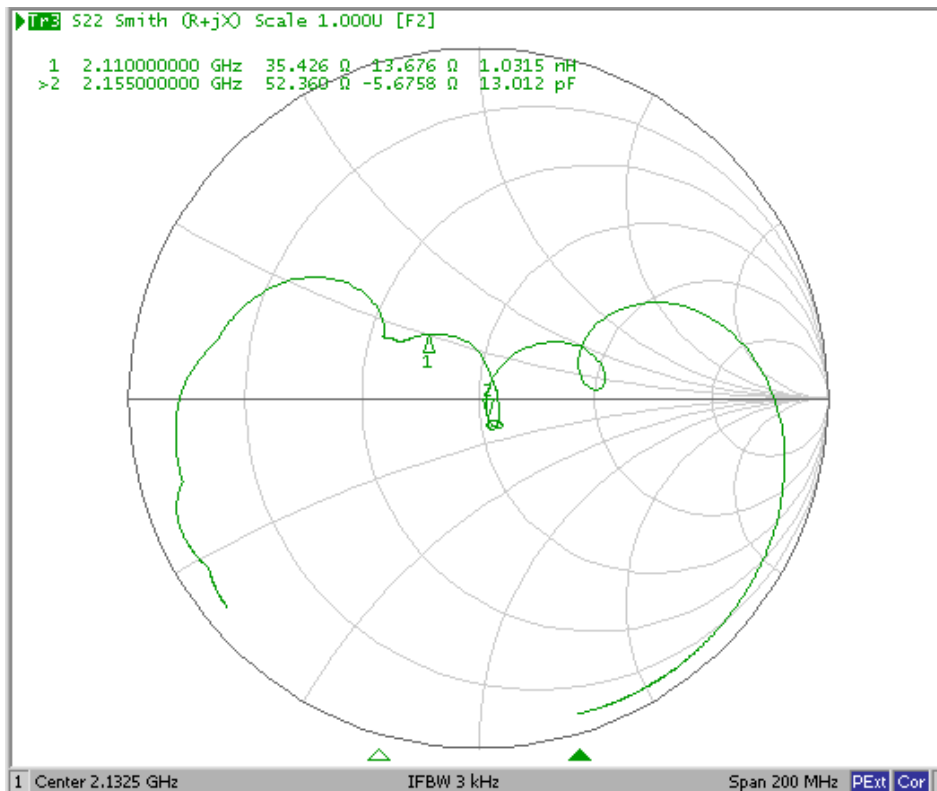
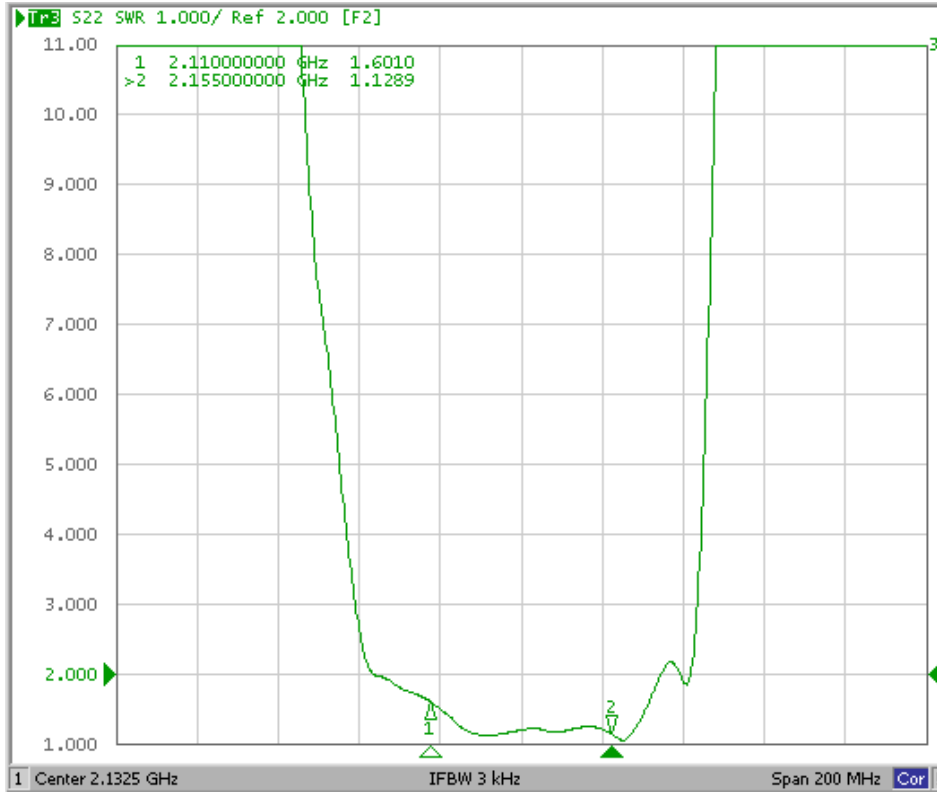
S11



SAW Filter 2132.50MHz
Part No: MP01544

Model: TA0756A
Rev. No: 1

S22

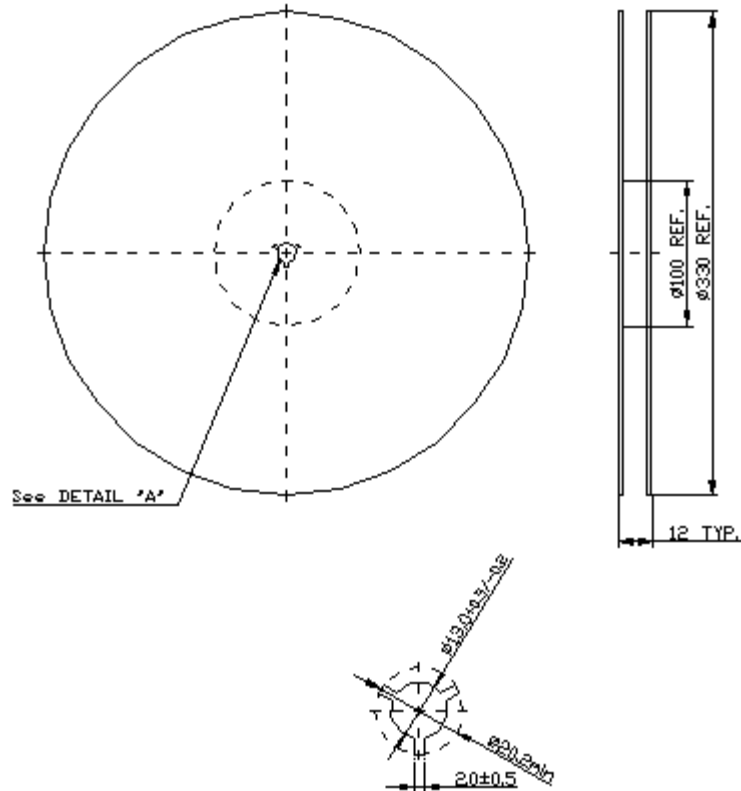


SAW Filter 2132.50MHz
Part No: MP01544

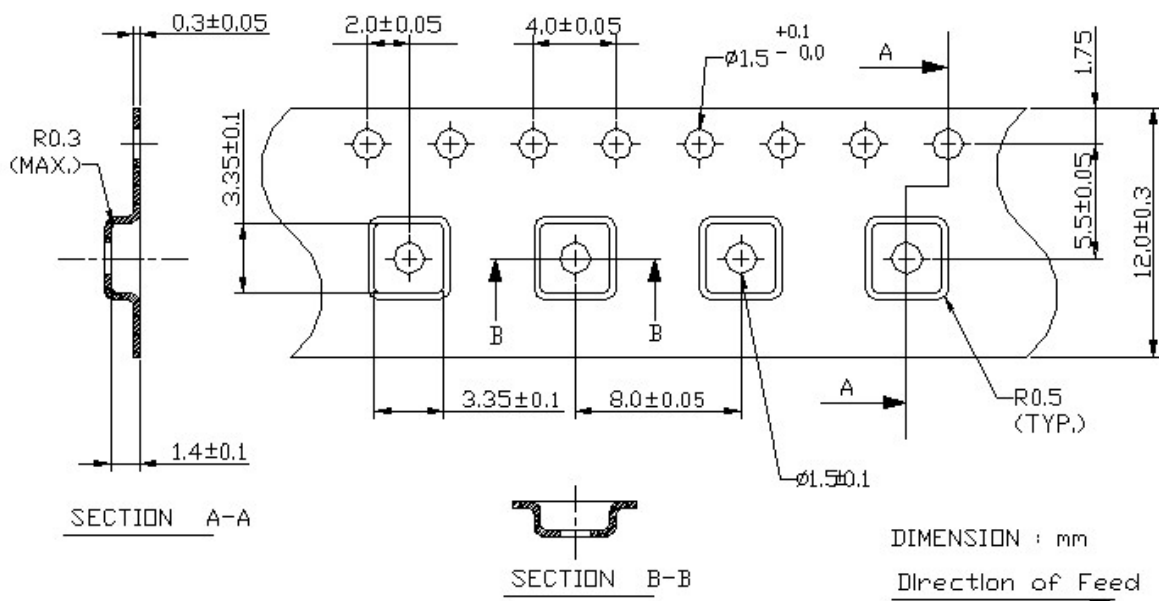
Model: TA0756A
Rev. No: 1

G. PACKING:

1. Reel Dimension (Reel Count: 7" = 1000; 13" = 3000)



2. Tape Dimension



SAW Filter 2132.50MHz
Part No: MP01544

Model: TA0756A
Rev. No: 1

H. RECOMMENDED REFLOW PROFILE:

