

**SAW Filter 2330MHz**  
**Part No: MP01478**

**Model: TA0843A**  
**Rev No: 1**

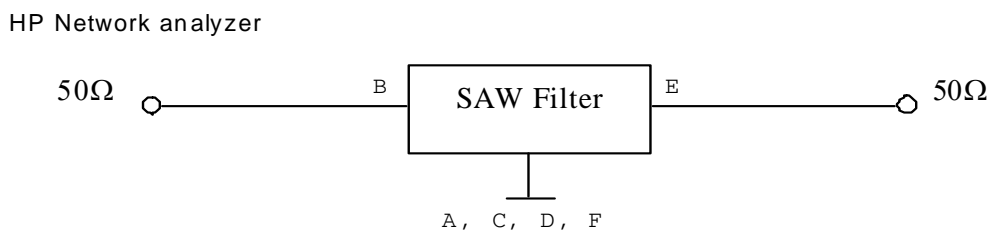
**A. MAXIMUM RATING:**

1. Input Power Level: 10dBm
2. DC Voltage: 3V
3. Operating Temperature: -40°C to +85°C
4. Storage Temperature: -50°C to +95°C

**B. ELECTRICAL CHARACTERISTICS:**

Item	Unit	Min.	Typ.	Max.	Note
Center Frequency Fc	MHz	-	2330	-	-
Insertion Loss (2300 ~ 2360MHz) IL	dB	-	2.4	3.2	-
Amplitude Ripple (2300 ~ 2360MHz)	dB	-	1.1	2	-
Amplitude Ripple (2300 ~ 2320MHz)	dB	-	0.3	1	-
Amplitude Ripple (2320 ~ 2340MHz)	dB	-	0.6	1	-
Amplitude Ripple (2340 ~ 2360MHz)	dB	-	0.5	1	-
Return Loss (2300 ~ 2360MHz)	dB	9	9.5	-	-
Attenuation (Reference level from 0dB)					
DC ~ 2085MHz	dB	25	30	-	-
2097 ~ 2235MHz	dB	25	36	-	-
2235 ~ 2256MHz	dB	15	29	-	-

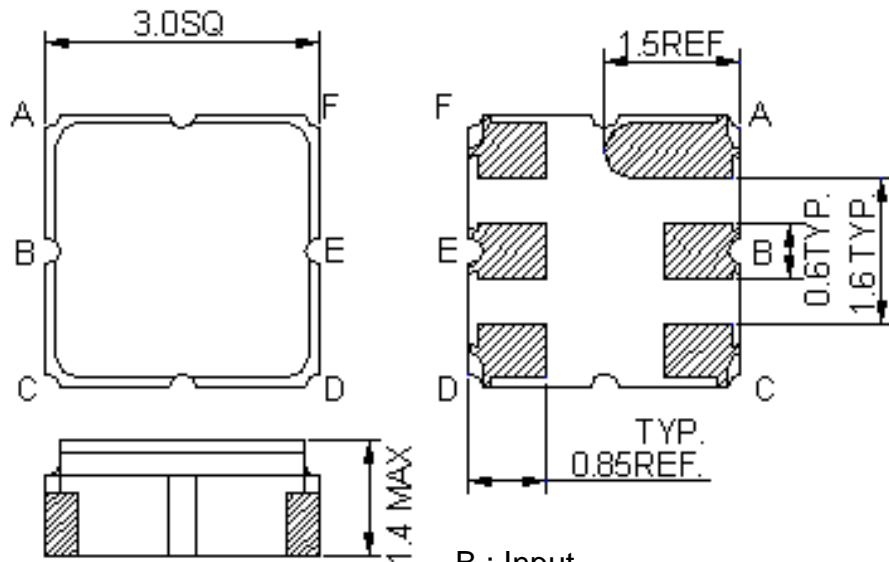
**C. MEASUREMENT CIRCUIT:**



**SAW Filter 2330MHz**  
**Part No: MP01478**

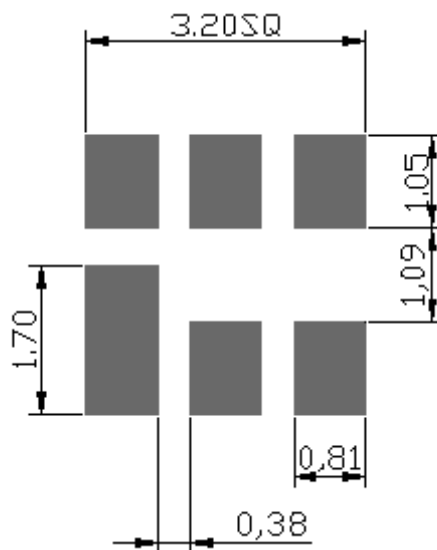
**Model: TA0843A**  
**Rev No: 1**

**D. OUTLINE DRAWING:**



B : Input  
E : Output  
A, C, D, F : Ground  
Unit: mm

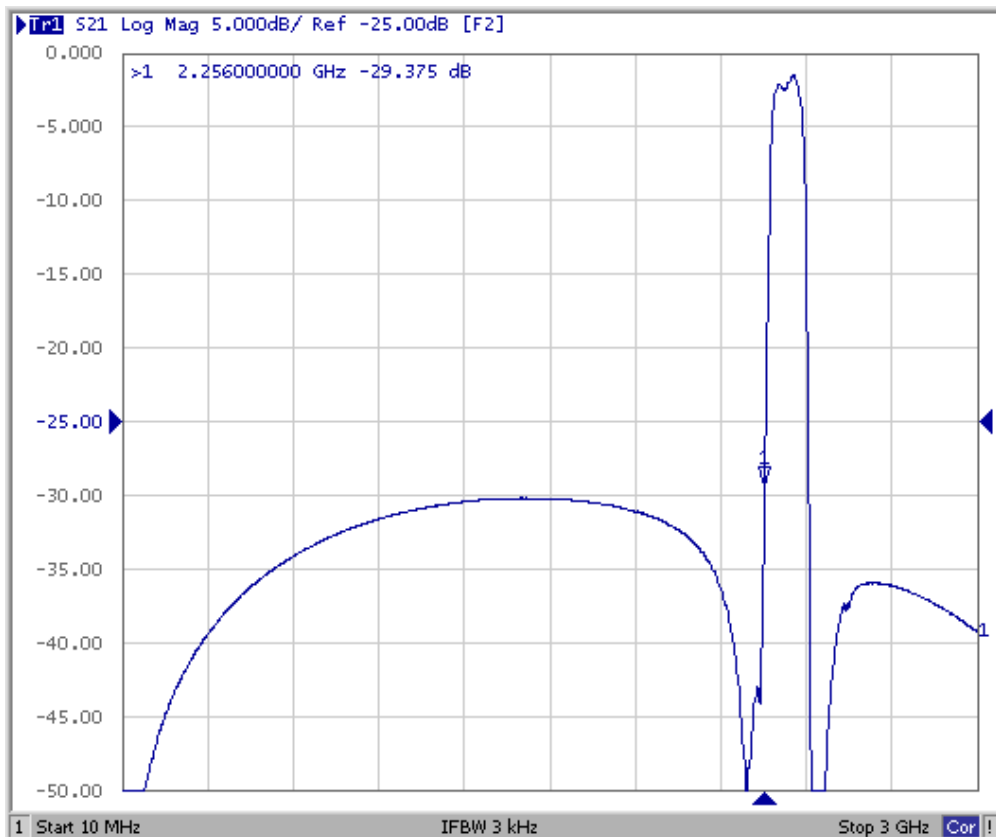
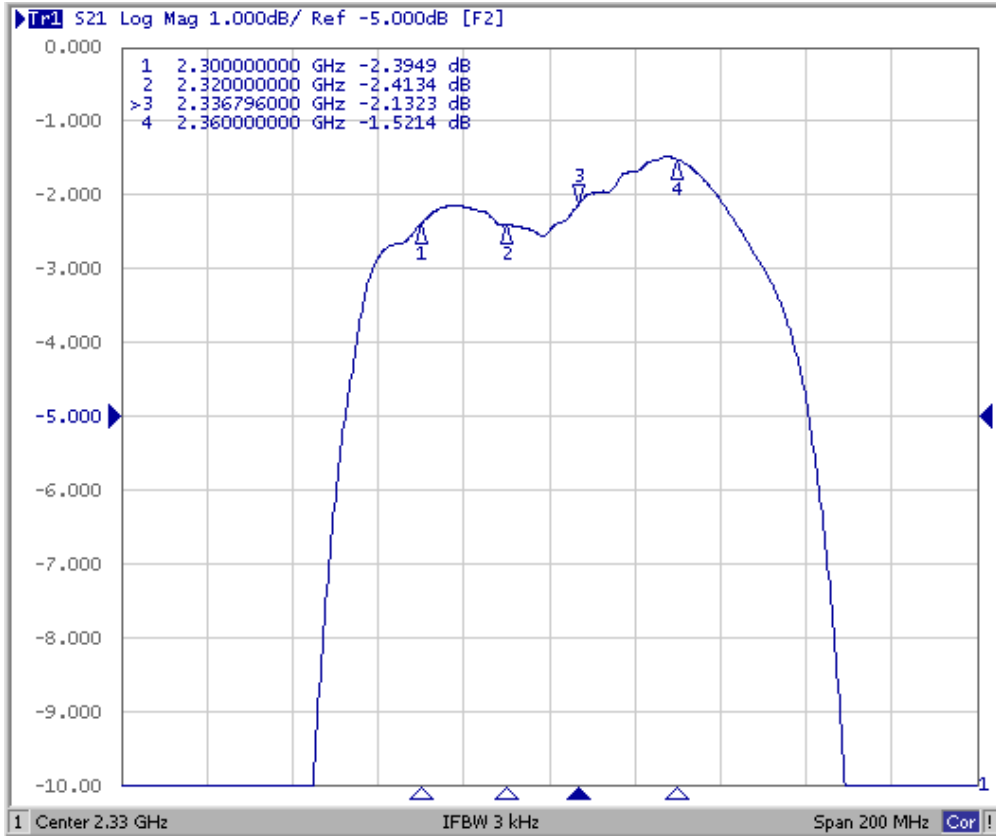
**E. PCB FOOTPRINT:**



**SAW Filter 2330MHz**  
**Part No: MP01478**

**Model: TA0843A**  
**Rev No: 1**

**F. FREQUENCY CHARACTERISTICS:**

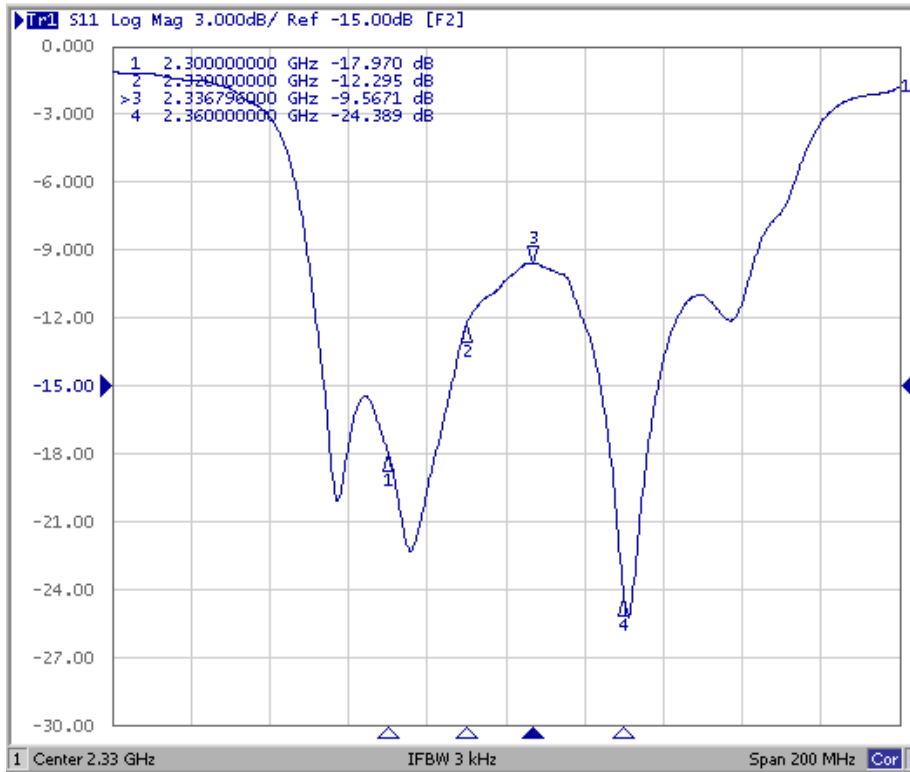


**SAW Filter 2330MHz**  
**Part No: MP01478**

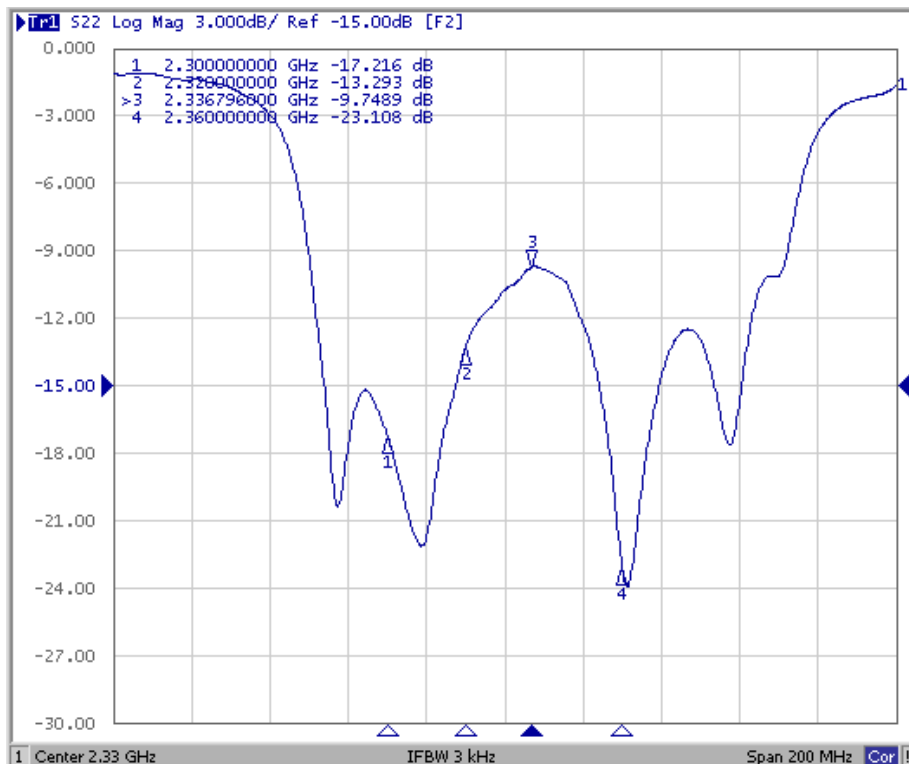
**Model: TA0843A**  
**Rev No: 1**

Reflection Functions

S11



S22

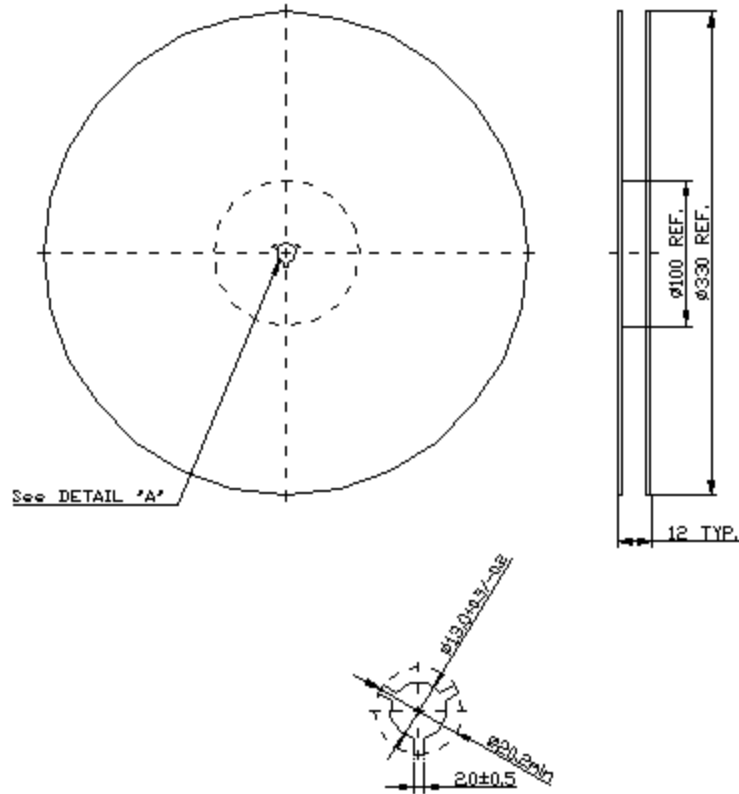


**SAW Filter 2330MHz**  
**Part No: MP01478**

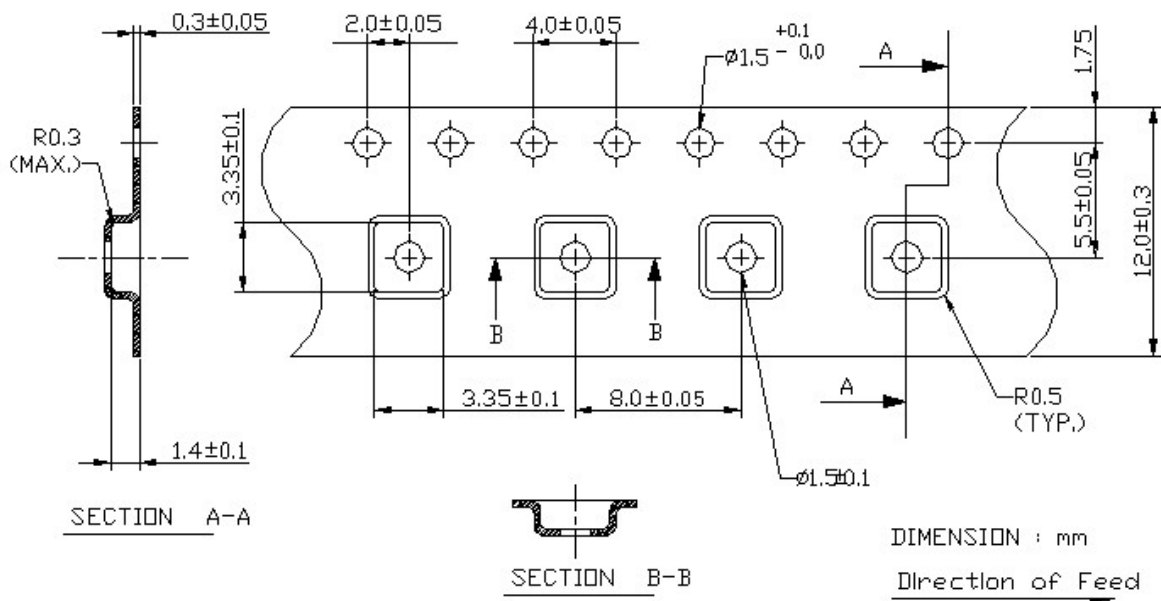
**Model: TA0843A**  
**Rev No: 1**

**G. PACKING:**

1. Reel Dimension (Reel Count: 7" = 1000; 13" = 3000)



2. Tape Dimension



**SAW Filter 2330MHz**  
**Part No: MP01478**

**Model: TA0843A**  
**Rev No: 1**

**H. RECOMMENDED REFLOW PROFILE:**

